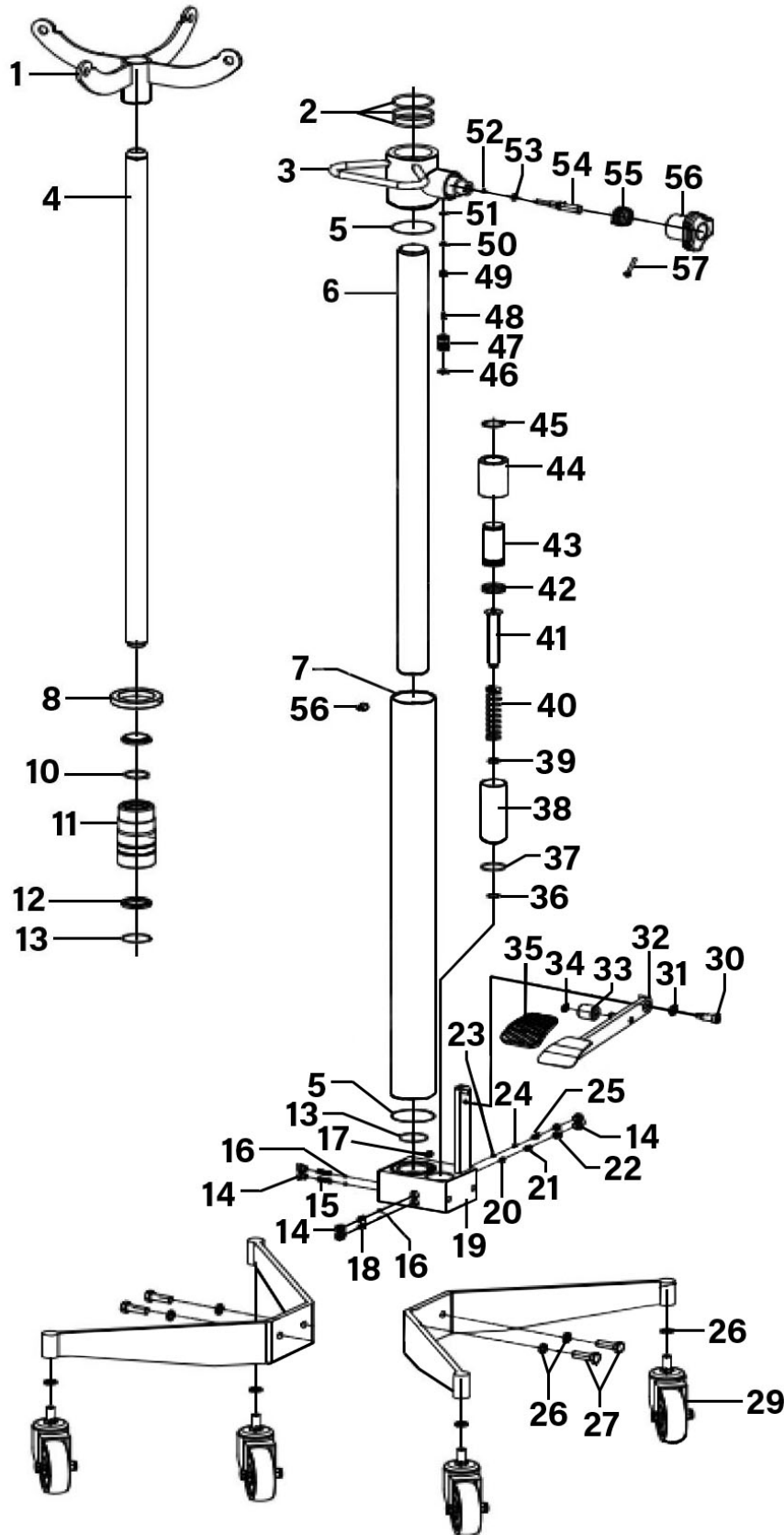




Parts Information:
Transmission Jack 300kg Vertical Quick
Lift
Model No: 300TRQ.V3



NOTE: It is our policy to continually improve products and as such we reserve the right to alter data, specifications and component parts without prior notice. There may be alternative versions of this product, please contact us should you require this information.

IMPORTANT: No liability is accepted for incorrect use of product. Spare parts must be fitted by a competent person

WARRANTY: Guarantee is 12 months from purchase date, proof of which will be required for any claim.

Sealey Group, Kempson Way, Suffolk Business Park, Bury St Edmunds, Suffolk. IP32 7AR



01284 757500



sales@sealey.co.uk



www.sealey.co.uk



Parts Information:
Transmission Jack 300kg Vertical Quick
Lift
Model No: 300TRQ.V3

Item	Part No.	Description	Qty
1	FUSN-SZ91003	Lifting Saddle (for 300TRQ.V3)	1
2	FUSN-L02010096	O-Ring	3
3	FUSN-L01C0040	Pressure Relief Seat Assembly	1
4	FUSN-L01C0036	Piston Rod	1
5	FUSN-L02010095	O-Ring	2
6	FUSN-L01C0035	Outer Sleeve	1
7	FUSN-L01C0037	Oil Reservoir	1
8	FUSN-L01C0038	Guide Ring	1
9	FUSN-L02050029	Dust-Proof Ring	1
10	FUSN-L02010020	O-Ring Ø25.07 x 2.62	1
11	FUSN-L01C0039	Piston Rod Guide Sleeve	1
12	FUSN-L02030018	UN Seal	1
13	FUSN-L02010094	O-Ring	2
14	FUSN-L03010004	Oil Plug Screw (B)	6
15	FUSN-L05020009	Taper Spring	2
16	SB-6.0	Steel Ball 6.0mm	4
17	FUSN-L20154	Filter	2
18	FUSN-L05020112	Spring for Oil Plug	2
19	FUSN-L01C0033	Oil Drain Valve Assembly	1
20	FUSN-L0190157	Valve (Cone)	1
21	FUSN-L05020076	Low Pressure Regulating Screw	1
22	FUSN-L03010063	Pressure Regulating Screw	2
23	SB-5.5	Steel Ball 5.5mm	1
24	FUSN-L0180012	Steel Ball Holder	1
25	FUSN-L05020059	Pressure Regulating Spring	1
26	SWM12.S	Spring Washer M12 Zinc	8
27	SS1225.S	Hex Head Set Screw M12 X 25 Zinc	4
28	FUSN-SZ92003	Leg/Base Assembly	2
29	FUSN-L06042	Swivel Wheel	4

Item	Part No.	Description	Qty
30	FUSN-L03010137	Shoulder Screw (Ø10 x 10 x M8)	1
31	FUSN-L03030036	Washer (Ø10 x Ø20 x 2mm)	1
32	FUSN-L01C0020	Foot Pedal	1
33	FUSN-L0180186	Bush for Foot Pedal	1
34	FUSN-L05100005	External Circlip	1
35	FUSN-L06143	Rubber Pad for Foot Pedal	1
36	FUSN-L02010091	O-Ring (Ø18.77 x 1.78mm)	1
37	FUSN-L02010092	O-Ring (Ø36.5 x 1.8mm)	1
38	FUSN-L01C0017	Plunger Bushing	1
39	FUSN-L02030014	Seal B3	1
40	FUSN-L05020106	Pump Return Spring (Large)	1
41	FUSN-L01C0018	Pump Plunger (Small)	1
42	FUSN-L02010065	X-Ring Seal (Ø29.82 x 2.62)	2
43	FUSN-L01C0019	Pump Plunger (Large)	1
44	FUSN-L06142	Dust-Proof Cover	1
45	FUSN-L05100013	External Circlip	1
46	FUSN-L02010066	O-Ring (Ø13.5 x 1.8mm)	1
47	FUSN-L01C0014	Pressure Relief Fixed Seat	1
48	FUSN-L05020105	Pressure Relief Spring (Secondary)	1
49	FUSN-L01C0015	Pressure Relief Seat (Secondary)	1
50	FUSN-L20106	Filter	1
51	FUSN-L05100021	External Circlip	1
52	SB-6.4	Steel Ball 6.4mm	1
53	FUSN-L02010078	O-Ring (Ø9.75 x 1.78)	1
54	FUSN-L01C0016	Pressure Relief Rod	1
55	FUSN-L05020089	Torsion Spring	1
56	FUSN-L06122	Release Knob	1
57	FUSN-L03010094	Grub Screw	1
58	FUSN-L0190032	Oil Plug Assembly	1

NOTE: It is our policy to continually improve products and as such we reserve the right to alter data, specifications and component parts without prior notice. There may be alternative versions of this product, please contact us should you require this information.

IMPORTANT: No liability is accepted for incorrect use of product. Spare parts must be fitted by a competent person

WARRANTY: Guarantee is 12 months from purchase date, proof of which will be required for any claim.

Sealey Group, Kempson Way, Suffolk Business Park, Bury St Edmunds, Suffolk. IP32 7AR



01284 757500



sales@sealey.co.uk



www.sealey.co.uk