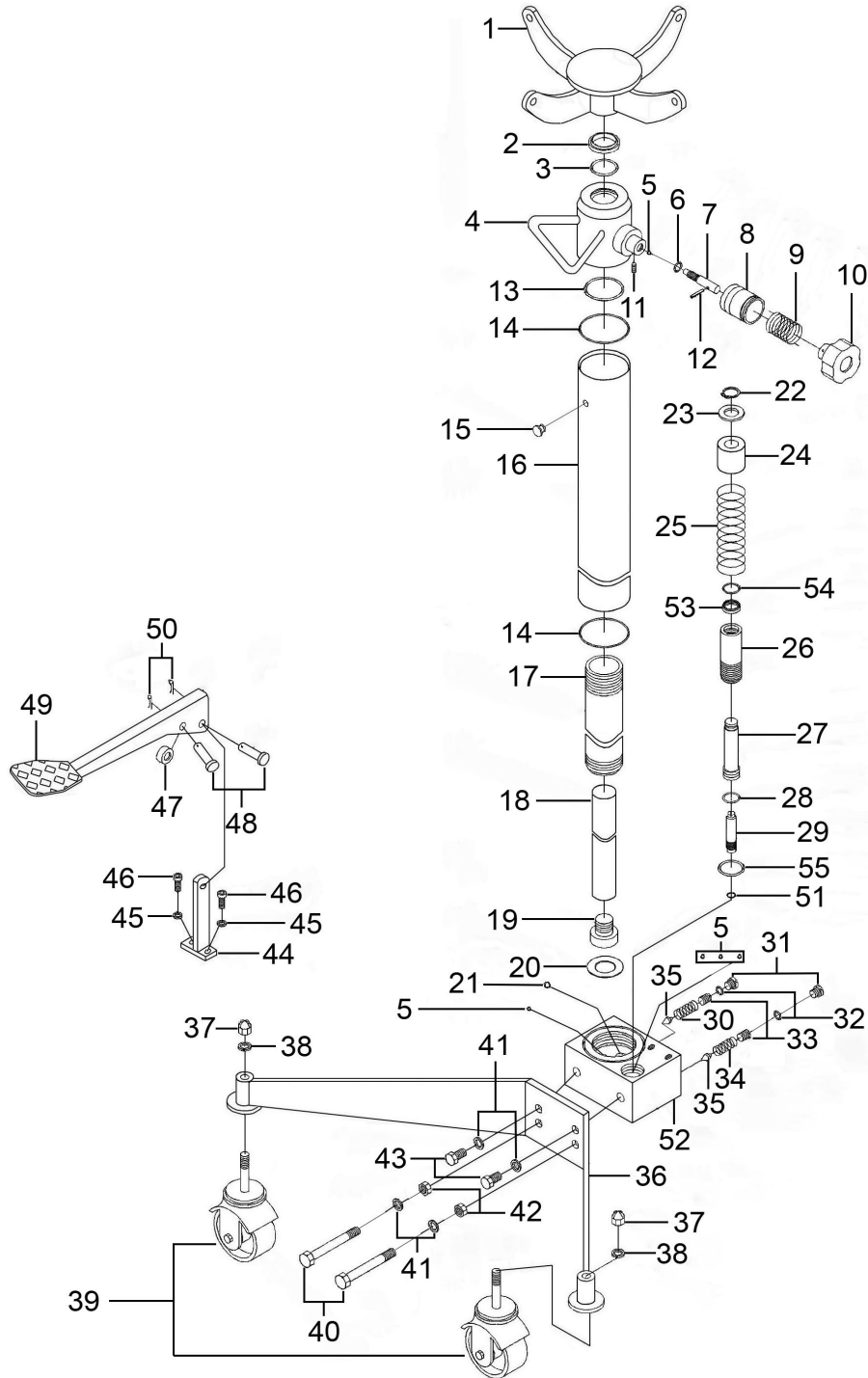




Parts Information:
Transmission Jack 300kg Vertical Quick
Lift
Model No: 300TRQ.V2



NOTE: It is our policy to continually improve products and as such we reserve the right to alter data, specifications and component parts without prior notice. There may be alternative versions of this product, please contact us should you require this information.

IMPORTANT: No liability is accepted for incorrect use of product. Spare parts must be fitted by a competent person

WARRANTY: Guarantee is 12 months from purchase date, proof of which will be required for any claim.

Sealey Group, Kempson Way, Suffolk Business Park, Bury St Edmunds, Suffolk. IP32 7AR



01284 757500



01284 703534



sales@sealey.co.uk



www.sealey.co.uk



Parts Information:
**Transmission Jack 300kg Vertical Quick
Lift**
Model No: 300TRQ.V2

Item	Part No.	Description
1	300TRQ.V2-01	Fork
2	300TRQ.V2-02	Oil Wiper Seal
3	300TRQ.V2-03	O-Ring
4	300TRQ.V2-04	Cylinder Head Ass'y
5	SB-6.0	Steel Ball 6.0mm
6	300TRQ.V2-06	O-Ring
7	300TRQ.V2-07	Release Rod
8	300TRQ.V2-08	Bush
9	300TRQ.V2-09	Spring
10	300TRQ.V2-10	Release Knob
11	GSM58.S	Grub Screw M5x8
12	300TRQ.V2-12	Spring Pin M4 X 24
13	AK45X.V2-29	O-Ring
14	DH03.V2-02	O-Ring
15	1000TRQ.V2-15	Oil Filler Plug
16	300TRQ.V2-16	Oil Reservoir
17	300TRQ.V2-17	Cylinder
18	300TRQ.V2-18	Piston Rod
19	300TRQ.V2-19	Piston Screw
20	300TRQ.V2-20	Steel Seal
21	SB-8.0	Steel Ball 8.0mm
22	SM353CEV2.048	External Circlip
23	RW1656.S	Repair washer M16x56
24	300TRQ.V2-24	Bush
25	300TRQ.V2-25	Spring
26	300TRQ.V2-26	Pump Cylinder
27	300TRQ.V2-27	Outer Pump Piston
28	300TRQ.V2-28	O-Ring

Item	Part No.	Description
29	300TRQ.V2-29	Inner Pump Piston
30	300TRQ.V2-30	Overload Spring
31	300TRQ.V2-31	Screw
32	DH03.V2-39	O-Ring
33	300TRQ.V2-33	Screw
34	300TRQ.V2-34	Quick Lift Spring
35	300TRQ.V2-35	Taper Valve
36	300TRQ.V2-36	Leg
37	SN12.SD	Steel Nut M12 Domed
38	2050CXL/36	Spring Washer M12 Black
39	600TRQ.V2-39	Wheel, Swivel Castor
40	HHB10120.S	Hex Head Bolt M10 x 120mm
41	SWM10.SB	Spring Washer M10 Black
42	SN10.S	Steel Nut M10 Zinc
43	SS1020.S	Hex Head Set Screw M10 X 20
44	300TRQ.V2-44	Linkage Stand
45	SWM8.SB	Spring Washer M8 Black
46	SCB825.S	Socket Cap Bolt M8 x 25
47	300TRQ.V2-47	Pedal Bearing Bush
48	300TRQ.V2-48	Pin
49	300TRQ.V2-49	Pump Pedal
50	300TRQ.V2-50	R-Clip
51	300TRQ.V2-51	O-Ring
52	300TRQ.V2-52	Pump Base
53	300TRQ.V2-53	Seal
54	300TRQ.V2-54	O-Ring
55	300TRQ.V2-55	O-Ring

NOTE: It is our policy to continually improve products and as such we reserve the right to alter data, specifications and component parts without prior notice. There may be alternative versions of this product, please contact us should you require this information.

IMPORTANT: No liability is accepted for incorrect use of product. Spare parts must be fitted by a competent person

WARRANTY: Guarantee is 12 months from purchase date, proof of which will be required for any claim.

Sealey Group, Kempson Way, Suffolk Business Park, Bury St Edmunds, Suffolk. IP32 7AR



01284 757500



01284 703534



sales@sealey.co.uk



www.sealey.co.uk