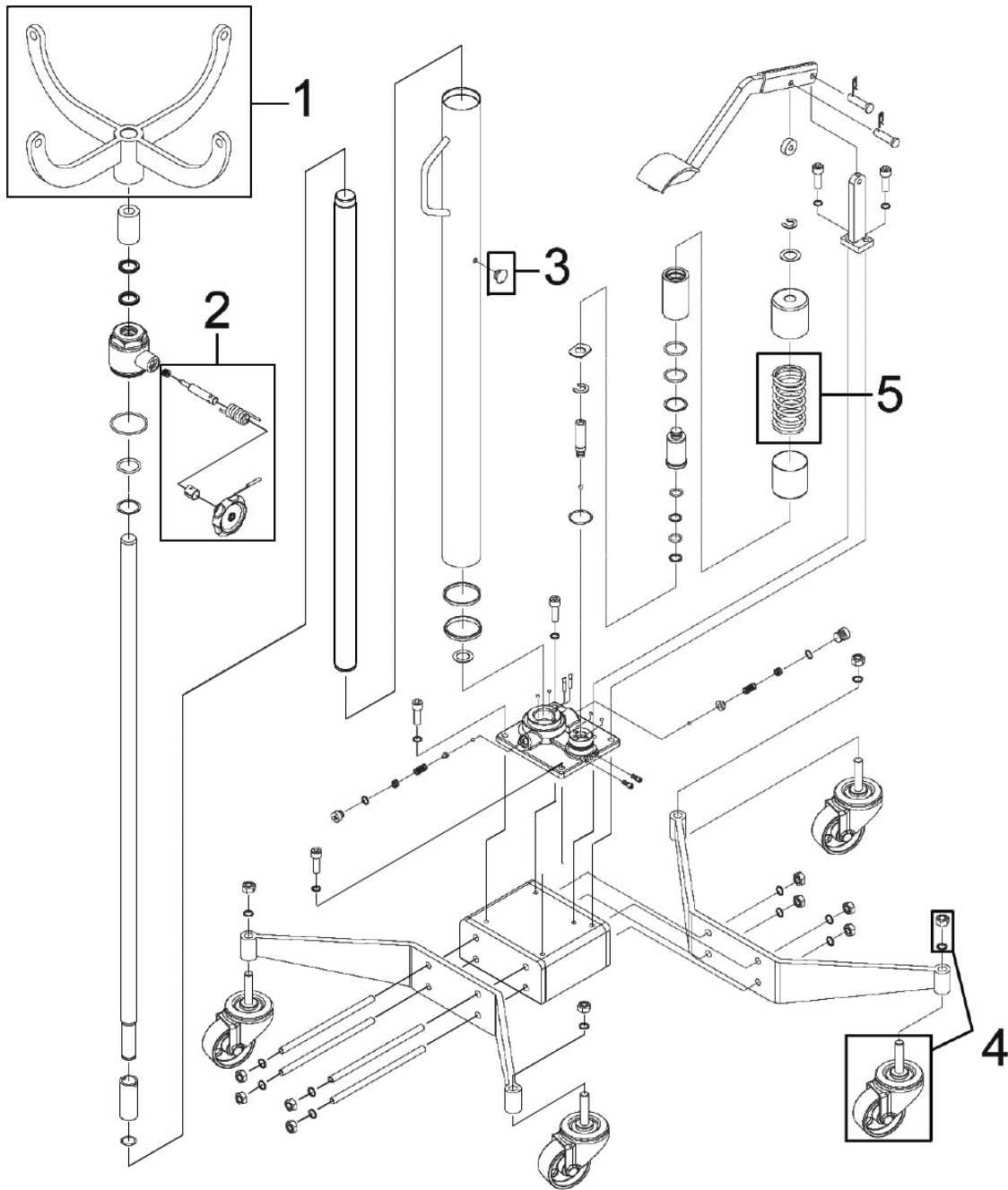


Parts Information:
**Transmission Jack Premier 0.3tonne
 Vertical Super Rocket Lift
 Model No: 300TRQ**



Item	Part No.	Description
1	300TRQ.01	Saddle (25mm Hole)
2	300TRQ.02	Knob Assembly
3	300TRQ.03	Oil Plug
4	300TRQ.04	Wheel, Rear Swivel Castor, Single Bolt (D:76 W:31 B:8 H:160)
5	300TRQ.05	Compression Spring Dia 51mm

Item	Part No.	Description
--	1000TRQ-06	Fixing Kit For Pedal (Not Shown)
--	300TRQ-06	Tie Rod (C/w Nuts & Washers) (Not Shown)
--	300TRQ.07	Linkage Stand (Not Shown)
--	300TRQ.RK	Repair Kit (Not Shown)
--	2050CX.V2-P17	Oil Filler Plug (Not Shown)

NOTE: It is our policy to continually improve products and as such we reserve the right to alter data, specifications and component parts without prior notice. There may be alternative versions of this product, please contact us should you require this information.

IMPORTANT: No liability is accepted for incorrect use of product. Spare parts must be fitted by a competent person

WARRANTY: Guarantee is 12 months from purchase date, proof of which will be required for any claim.