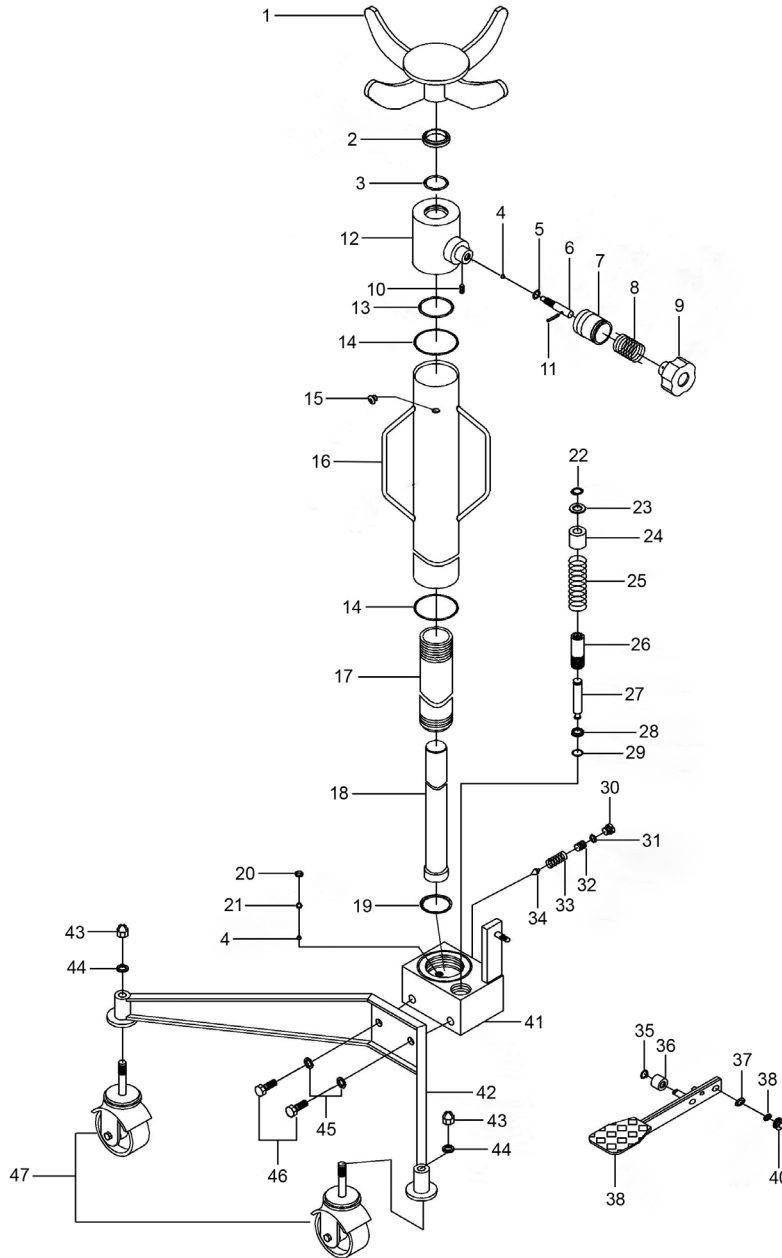




Parts Information:
Transmission Jack 0.3tonne Vertical
Model No: 300ETJ.V2



NOTE: It is our policy to continually improve products and as such we reserve the right to alter data, specifications and component parts without prior notice. There may be alternative versions of this product, please contact us should you require this information.

IMPORTANT: No liability is accepted for incorrect use of product. Spare parts must be fitted by a competent person

WARRANTY: Guarantee is 12 months from purchase date, proof of which will be required for any claim.

Sealey Group, Kempson Way, Suffolk Business Park, Bury St Edmunds, Suffolk. IP32 7AR



01284 757500



01284 703534



sales@sealey.co.uk



www.sealey.co.uk



Parts Information:
Transmission Jack 0.3tonne Vertical
Model No: 300ETJ.V2

Item	Part No.	Description
1	300ETJ.V2-01	Saddle
2	300ETJ.V2-02	Dust Ring
3	SA51/13	O-Ring
4	SB-6.4	Steel Ball 6.4mm
5	300ETJ.V2-05	O-Ring
6	300ETJ.V2-06	Release Rod
7	300ETJ.V2-07	Bush
8	300ETJ.V2-08	Spring
9	300ETJ.V2-09	Release Knob
10	GSM58.S	Grub Screw M5x8
11	800TTJ.227	Spring Pin M4 X 25
12	300ETJ.V2-12	Cylinder Head
13	RE91-05.07	O-Ring
14	DH03.V2-02	O-Ring
15	1000TRQ.V2-15	Oil Filler Plug
16	300ETJ.V2-16	Reservoir
17	300ETJ.V2-17	Cylinder
18	300ETJ.V2-18	Piston
19	SA406R.12	O-Ring
20	300ETJ.V2-20	Plug Screw
21	SB-9.5	Steel Ball 9.5mm
22	MC4500.P5	External Circlip
23	FWM16.S	Flat Washer M16
24	300ETJ.V2-24	Bush

Item	Part No.	Description
25	300ETJ.V2-25	Spring
26	300ETJ.V2-26	Pump Unit
27	300ETJ.V2-27	Pump Piston
28	300ETJ.V2-28	Seal
29	300ETJ.V2-29	O-Ring
30	300ETJ.V2-30	Plug Screw
31	DH03.V2-39	O-Ring
32	300ETJ.V2-32	Bush
33	300ETJ.V2-33	Spring
34	300ETJ.V2-34	Spring Guide
35	300ETJ.V2-35	Circlip
36	300ETJ.V2-36	Bush
37	300ETJ.V2-37	Spring Washer
38	300ETJ.V2-38	Foot Pedal
39	300ETJ.V2-39	Ball 6mm
40	300ETJ.V2-40	Nut
41	300ETJ.V2-41	Pump
42	300ETJ.V2-42	Side Leg
43	SN12.SD	Steel Nut M12 Domed
44	FWM12.S	Flat Washer M12
45	SWM10.SB	"Spring Washer M10 Black "
46	SS1020.S	Hex Head Set Screw M10 X 20
47	300ETJ.V2-47	Wheel, Swivel Castor

NOTE: It is our policy to continually improve products and as such we reserve the right to alter data, specifications and component parts without prior notice. There may be alternative versions of this product, please contact us should you require this information.

IMPORTANT: No liability is accepted for incorrect use of product. Spare parts must be fitted by a competent person

WARRANTY: Guarantee is 12 months from purchase date, proof of which will be required for any claim.

Sealey Group, Kempson Way, Suffolk Business Park, Bury St Edmunds, Suffolk. IP32 7AR



01284 757500



01284 703534



sales@sealey.co.uk



www.sealey.co.uk