



**Parts List for  
Air-Hydraulic Trolley Jack  
Model No: 3002HLA**

**Sole UK Distributor,  
Sealey Group,  
Bury St.Edmunds, Suffolk.**

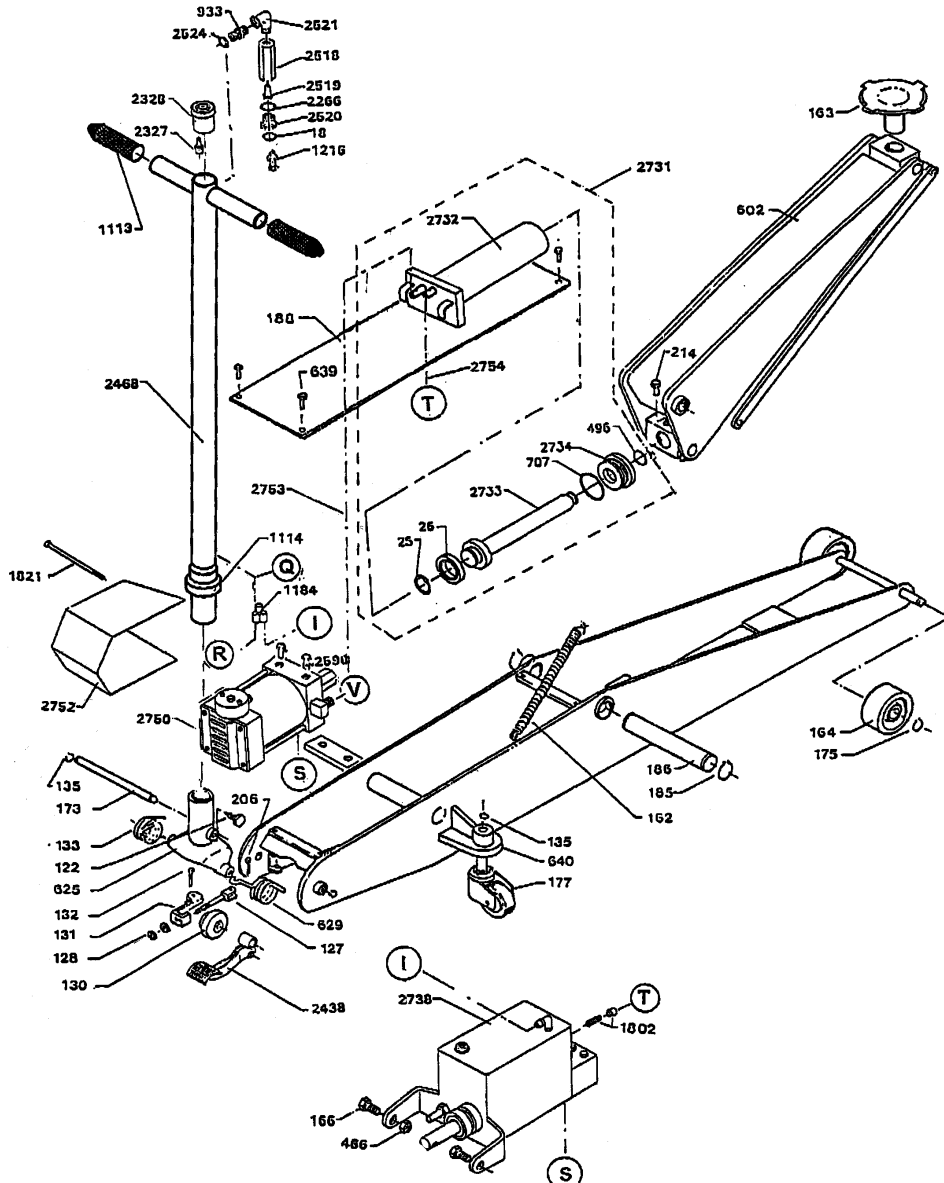


01284 757500



01284 703534

**E-mail:** sales@sealey.co.uk



Item	Part No	Description	Item	Part No.	Description
18	3002HLA/18	Copper washer	2519	3002HLA/2519	Filter
25	3002HLA/25	Lock ring	2520	3002HLA/2520	Nipple
26	3002HLA/26	Sleeve	2521	3002HLA/2521	Fitting
122	3002HLA/122	Knurled screw	2524	3002HLA/2524	Washer
127	3002HLA/127	Release rod	2598	3002HLA/2598	Screw
128	3002HLA/128	Nut	2731	3002HLA/2731	Cylinder, complete
130	3002HLA/130	Release hub	2732	3002HLA/2732	Cylinder
131	3002HLA/131	Release arm	2733	3002HLA/2733	Piston
132	3002HLA/132	Split pin	2734	3002HLA/2734	Stuffing box
133	3002HLA/133	Spring	2738	3002HLA/2738	Pump, manual
135	3002HLA/135	Lock ring	2750	3002HLA/2750	Pump, air
162	3002HLA/162	Spring	2752	3002HLA/2752	Guard
163	3002HLA/163	Saddle	2753	3002HLA/2753	Pressure pipe
164	3002HLA/164	Wheel	2754	3002HLA/2754	Pressure pipe
166	3002HLA/166	Screw	2755	3002HLA/2755	Hoses, I, Q, R, S
173	3002HLA/173	Shaft	3002HLA/RK		Repair kit
175	3002HLA/175	Lock ring			
177	3002HLA/177	Castor wheel complete			
185	3002HLA/185	Lock ring			
186	3002HLA/186	Shaft			
188	3002HLA/188	Cover			
206	3002HLA/206	Split pin			
214	3002HLA/214	Bolt			
466	3002HLA/466	Nut			
496	3002HLA/496	O-ring			
602	3002HLA/602	Lifting arm			
625	3002HLA/625	Fork, handle			
629	3002HLA/629	Spring, foot pedal			
639	3002HLA/639	Screw			
640	3002HLA/640	Bracket			
707	3002HLA/707	O-ring			
933	3002HLA/933	Nipple			
1113	3002HLA/1113	Grip			
1114	3002HLA/1114	Sleeve			
1184	3002HLA/1184	Air fitting, 'Y'			
1216	3002HLA/1216	Coupling, male			
1802	3002HLA/1802	Oil valve			
1821	3002HLA/1821	Screw			
2266	3002HLA/2266	Washer, copper			
2327	3002HLA/2327	Air fitting			
2328	3002HLA/2328	Valve, complete			
2438	3002HLA/2438	Pedal			
2468	3002HLA/2468	Handle			
2518	3002HLA/2518	Filter housing			

Original Date:- 130799  
 Issue Date:- 130799  
 Version No:- 1  
 Date Modified:- 1st issue