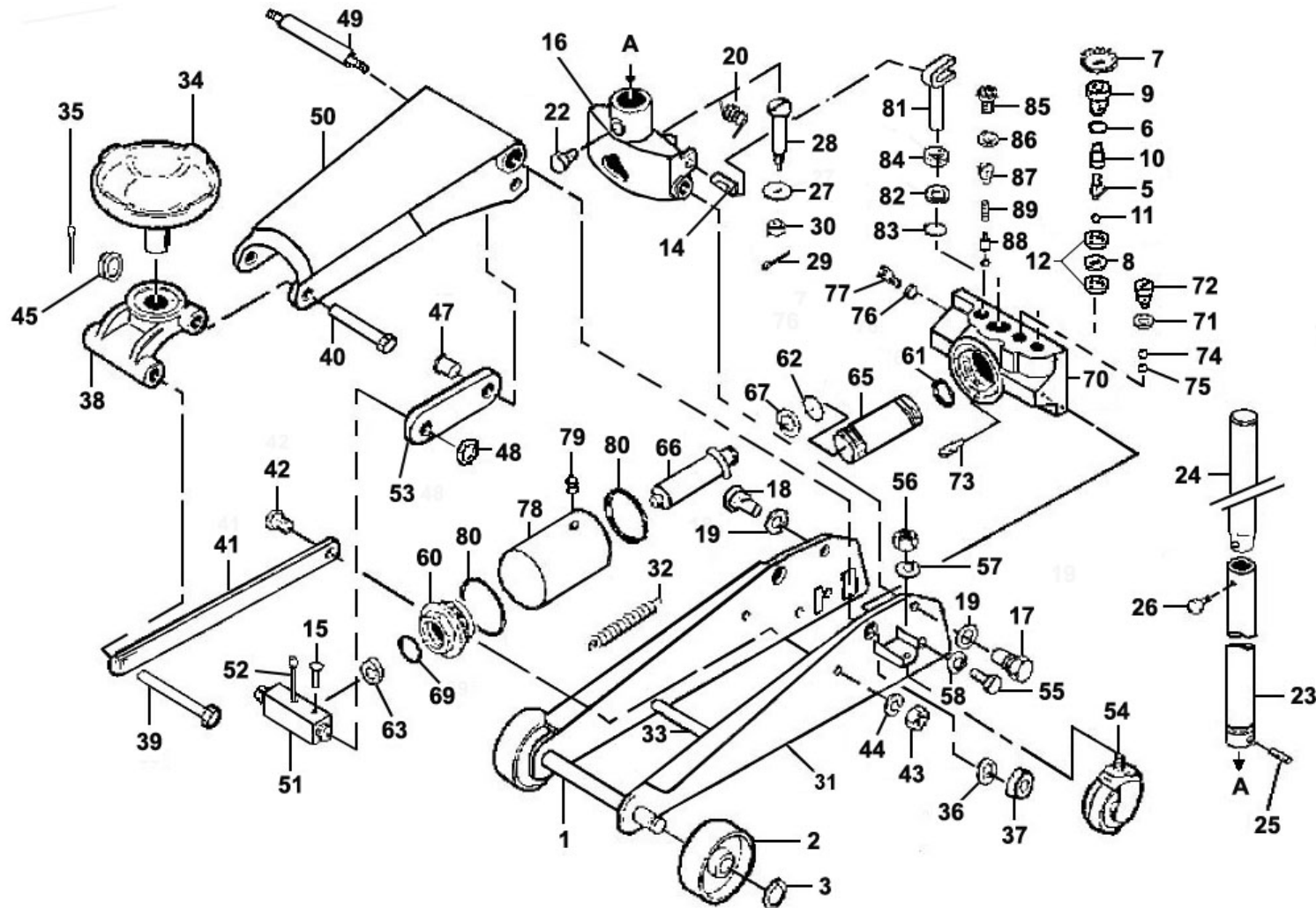




Parts Information:
Trolley Jack Yankee 3tonne Low Entry
Model No: 3001LE



NOTE: It is our policy to continually improve products and as such we reserve the right to alter data, specifications and component parts without prior notice.

There may be alternative versions of this product, please contact us should you require this information.

IMPORTANT: No liability is accepted for incorrect use of product. Spare parts must be fitted by a competent person

WARRANTY: Guarantee is 12 months from purchase date, proof of which will be required for any claim.

Sealey Group, Kempson Way, Suffolk Business Park, Bury St Edmunds, Suffolk. IP32 7AR



01284 757500



01284 703534



sales@sealey.co.uk



www.sealey.co.uk



Parts Information:
Trolley Jack Yankee 3tonne Low Entry
Model No: 3001LE

| Item | Part No. | Description |
|------|--------------------|--|
| 1 | 3001LE/1-1 | Front Wheel Shaft |
| 2 | 3080CX/1-3 | Wheel,Front Fixed (D:95 W:45 B:20) |
| 3 | 2200HLV2-13 | Ext Circlip 20.1mm OD. |
| ** | 2080CX/10-0 | Release Valve Assembly |
| 5 | 3001LE/10-1 | Release Valve |
| 6 | 3001LE/10-2 | O-Ring, (Ex: 19.87 In: 15.01 Cs: 2.43) |
| 7 | 3001LE/10-3 | Release Valve Gear |
| 8 | 3001LE/10-4 | Collar |
| 9 | 3001LE/10-5 | Release Valve Lock Nut |
| 10 | 3001LE/10-6 | Release Valve Connecting Rod |
| 11 | SB-8.0 | Steel Ball 8.0mm |
| 12 | 3001LE/10-8 | Seal Ring |
| ** | 3001LE/11-0 | Handle Fork Assembly |
| 14 | 3001LE/11-1 | Plunger Connecting Pin |
| 15 | 3001LE/11-2 | Rivet |
| 16 | 3001LE/11-3 | Handle Fork |
| 17 | 3001LE/11-4 | Handle Shaft (a) 18mm Diameter |
| 19 | 3001LE/11-6 | Spring Washer |
| 20 | 3001LE/11-7 | Spring,Handle Return |
| ** | 2080CX/12-0 | Handle Assembly |
| 22 | 3001LE/12-2 | Handle Set Screw |
| 23 | 3001LE/12-21 | Lower Handle |
| 24 | 3001LE/12-22 | Upper Handle |
| 25 | 3001LE/12-23 | Spring Pin M5 X 32 |
| 26 | SS635.S | Hex Head Set Screw M6 X 35 Zinc |
| 27 | 3001LE/12-3 | Release Valve Gear (Small) |
| 28 | 3001LE/12-4 | Release Valve Connecting Bar (b) |
| 29 | 3001LE/12-5 | Cotter Pin |
| 30 | SN10.S | Steel Nut M10 Zinc |

| Item | Part No. | Description |
|------|-------------------|--|
| 31 | 3001LE/13-1 | Frame |
| 32 | 3001LE/13-3 | Spring Dia 17.8 |
| 33 | 3001LE/13-5 | Stopper |
| 34 | 3001LE/2-1 | Saddle |
| 35 | 3001LE/2-10 | Cotter Pin |
| 36 | 3001LE/2-11 | Spring Washer |
| 37 | 3001LE/2-12 | Nut |
| 38 | 3001LE/2-2 | Saddle Base |
| 39 | 3001LE/2-3 | Link Rod Pin (a) |
| 40 | 3001LE/2-4 | Arm Pin (a) |
| 41 | 3001LE/2-5 | Link Rod |
| 42 | 3001LE/2-6 | Link Pin (b) |
| 43 | 3001LE/2-7 | Nut |
| 44 | 3001LE/2-8 | Spring Washer |
| 45 | 3001LE/2-9 | Washer |
| ** | 3001LE/3-0 | Lift Arm Assembly |
| 47 | 3001LE/3-10 | Pin |
| 48 | 3001LE/3-11 | Snap Ring |
| 49 | 3001LE/3-12 | Arm Pin |
| 50 | 3001LE/3-3 | Lift Arm |
| 51 | 3001LE/3-5 | Piston Connecting Joint |
| 52 | 3001LE/3-7 | Cotter Pin |
| 53 | 3001LE/3-9 | Link rod |
| 54 | 3015CXD.34 | Wheel, Swivel Castor (16mm Thread)(D:60 W:25 B:10 H:111) |
| 55 | SCB1225.SB | Socket Head Cap Screw M12x25 Black |
| 56 | SN12.S | Steel Nut M12 Zinc |
| 57 | SWM12.S | Spring Washer M12 Zinc |
| 58 | 3001LE/4-9 | Spring Washer |
| ** | 3001LE/5-0 | Power Unit Assembly |

| Item | Part No. | Description |
|------|--------------|--|
| 60 | 3001LE/5-1 | Tank Nut |
| 61 | 3001LE/5-11 | Metal Seal Washer M38 |
| 62 | 3001LE/5-13 | O-Ring, (Ex: 41.27 In: 32.31 Cs: 4.48) |
| 63 | 3001LE/5-14 | Piston Packing Retainer |
| 65 | 3001LE/5-0 | Power Unit Assembly |
| 66 | 3001LE/5-5 | Piston Rod |
| 67 | 3001LE/5-7 | Back Up Ring |
| 69 | 3001LE/5-9 | O-Ring |
| 70 | 3001LE/6-1 | Oil Box |
| 71 | 3001LE/6-11 | Back Up Ring |
| 72 | 3001LE/6-2 | Bolt |
| 73 | 3001LE/6-3 | Oil Filter |
| 74 | SB-8.0 | Steel Ball 8.0mm |
| 75 | SB-6.4 | Steel ball 6.4mm |
| 76 | 3001LE/6-6 | Washer |
| 77 | 3001LE/6-7 | Bolt |
| 78 | 3001LE/7-1 | Oil Tank |
| 79 | 2050CXV2-P17 | Oil Filler Plug |
| 80 | 3001LE/7-4 | Nylon Ring 70x76 |
| 81 | 3001LE/8-1 | Pump Plunger (18mm dia.) |
| 82 | 3001LE/8-2 | Back Up Ring |
| 83 | 3001LE/8-3 | O-Ring, (Ex: 22.69 In: 17.73 Cs: 2.48) |
| 84 | 3001LE/8-4 | Oil Seal |
| 85 | 3001LE/9-1 | Safety Valve Cap Plug |
| 86 | 3001LE/9-2 | Rubber Packing |
| 87 | 3001LE/9-3 | Retainer |
| 88 | 3001LE/9-4 | Spring Dia 7.4mm |
| 89 | 3080CX/9-5 | Spring Retainer |

NOTE: It is our policy to continually improve products and as such we reserve the right to alter data, specifications and component parts without prior notice.

There may be alternative versions of this product, please contact us should you require this information.

IMPORTANT: No liability is accepted for incorrect use of product. Spare parts must be fitted by a competent person

WARRANTY: Guarantee is 12 months from purchase date, proof of which will be required for any claim.

Sealey Group, Kempson Way, Suffolk Business Park, Bury St Edmunds, Suffolk. IP32 7AR



01284 757500



01284 703534



sales@sealey.co.uk



www.sealey.co.uk