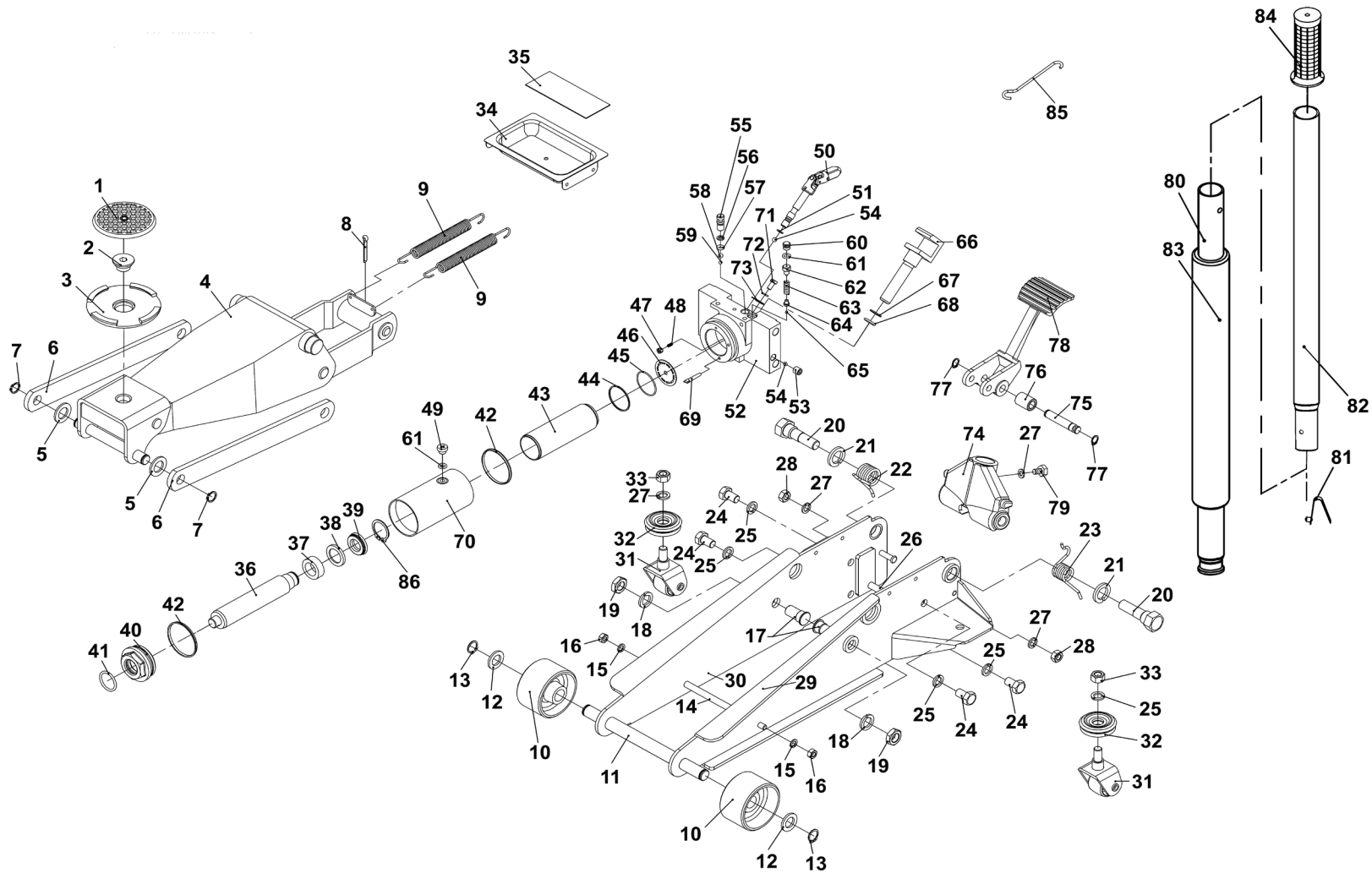




Parts Information:
Trolley Jack 3tonne with Foot Pedal
Model No: 3001CXP



NOTE: It is our policy to continually improve products and as such we reserve the right to alter data, specifications and component parts without prior notice.

There may be alternative versions of this product, please contact us should you require this information.

IMPORTANT: No liability is accepted for incorrect use of product. Spare parts must be fitted by a competent person

WARRANTY: Guarantee is 12 months from purchase date, proof of which will be required for any claim.

Sealey Group, Kempson Way, Suffolk Business Park, Bury St Edmunds, Suffolk. IP32 7AR



01284 757500



01284 703534



sales@sealey.co.uk



www.sealey.co.uk



Parts Information: Trolley Jack 3tonne with Foot Pedal Model No: 3001CXP

Item	Part No.	Description
1	3001CXP.01	Saddle Pad
2	3001CXP.02	Saddle Bolt
3	3001CXP.03	Saddle
4	3001CXP.04	Lift Arm Assembly
5	FWM16.S	Flat Washer M16 Zinc
6	3001CXP.06	Radius Link
7	3001CXP.07	Snap Ring 16mm
8	3001CXP.08	Cotter Pin
9	3001CXP.09	Return Spring
10	3001CXP.10	Front Wheel
11	3001CXP.11	Front Axle
12	FWM18.S	Flat Washer M18 Zinc
13	3001CXP.13	External Circlip 18.0mm ID.
14	3001CXP.14	Frame Tie Rod
15	SWM8.S	Spring Washer M8 Zinc
16	NLN8.S	Nyloc Nut M8 Zinc
17	3001CXP.17	Radius Link Stud
18	SWM16.S	Spring Washer M16 Zinc
19	NLN16.S	Nyloc Nut M16 Zinc
20	3001CXP.20	Handle Sleeve Bolt
21	SWM20.SB	Spring Washer M20 Black
22	3001CXP.22	Torsion Spring (Left)
23	3001CXP.23	Torsion Spring Dia 25.1mm (Right)
24	3001CXP.24	Bolt (M12x1.25x20)
25	SWM12.S	Spring Washer M12 Zinc
26	3001CXP.26	Frame Tie Rod
27	SWM10.S	Spring Washer M10 Zinc
28	NLN10.S	Nyloc Nut M10 Zinc
29	3001CXP.29	Frame, Left Side
30	3001CXP.30	Frame, Right Side
31	3001CXP.31	Rear Castor Assembly
32	3001CXP.32	Roller Bearing Assembly
33	NLN12.S	Nyloc Nut M12 Zinc
34	3001CXP.34	Tool Tray
35	3001CXP.35	Rubber Pad (Magnetic)
36	3001CXP.36	Ram Plunger
37	3001CXP.37	Bushing Cover
38	3001CXP.38	Back-up Washer
39	3001CXP.39	U-Cup Seal
40	3001CXP.40	Top Nut
41	3001CXP.41	O-Ring (29.4 x 3.55)
42	3001CXP.42	Wedge Ring
43	3001CXP.43	Cylinder
44	3001CXP.44	Back-up Washer

Item	Part No.	Description
45	3001CXP.45	O-Ring (39.5 x 2.4)
46	3001CXP.46	Disc (43.2 x 6x1)
47	3001CXP.47	Throttle Valve
48	3001CXP.48	Spring
49	3001CXP.49	Oil Filler Plug Screw
50	3001CXP.50	Release Valve Assembly
51	3001CXP.51	O-Ring (8 x 1.8)
52	3001CXP.52	Base
53	3001CXP.53	Screw (M10x1x10)
54	SB-6.0	Steel Ball 6.0mm
55	3001CXP.55	Bolt (M10x1)
56	3001CXP.56	Back-up Washer
57	3001CXP.57	O-Ring (7.7x1.9)
58	SB-7.0	Steel Ball 7.0mm
59	SB-5.0	Steel Ball 5.0mm
60	3001CXP.60	Guard Screw
61	3001CXP.61	O-Ring (13x2.4)
62	3001CXP.62	Safety Valve Screw
63	3001CXP.63	Safety Valve Spring
64	3001CXP.64	Ball Seat Valve
65	SB-4.0	Steel Ball 4.0mm
66	3001CXP.66	Pump Piston
67	3001CXP.67	Back-up Washer
68	3001CXP.68	O-Ring (14.6x2.4)
69	3001CXP.69	Filter
70	3001CXP.70	Reservoir
71	SS612.S	Hex Head Set Screw M6 X 12 Zinc
72	SWM6.S	Spring Washer M6 Zinc
73	FWM6.S	Flat Washer M6 Zinc
74	3001CXP.74	Handle Socket
75	3001CXP.75	Handle Socket Pin
76	3001CXP.76	Handle Socket Roller
77	3001CXP.77	External Circlip 12.0mm ID.
78	3001CXP.78	Foot Pedal
79	3001CXP.79	Handle Socket Bolt (M10x16)
80	3001CXP.80	Lower Handle
81	SS610.S	Hex Head Set Screw M6 X 10 Zinc
82	3001CXP.82	Upper Handle
83	3001CXP.83	Handle Sleeve
84	3001CXP.84	Handle Grip
85	3001CXP.85	Hook
86	3001CXP.86	External Circlip 22.0mm ID.
--	3001CXP.HU	Hydraulic Unit for 3001CXP
--	3001CXP.RK	Repair Kit for 3001CXP

NOTE: It is our policy to continually improve products and as such we reserve the right to alter data, specifications and component parts without prior notice. There may be alternative versions of this product, please contact us should you require this information.

IMPORTANT: No liability is accepted for incorrect use of product. Spare parts must be fitted by a competent person

WARRANTY: Guarantee is 12 months from purchase date, proof of which will be required for any claim.

Sealey Group, Kempson Way, Suffolk Business Park, Bury St Edmunds, Suffolk. IP32 7AR



01284 757500



01284 703534



sales@sealey.co.uk



www.sealey.co.uk