

**NOTE:** It is our policy to continually improve products and as such we reserve the right to alter data, specifications and component parts without prior notice. There may be alternative versions of this product, please contact us should you require this information.

**IMPORTANT:** No liability is accepted for incorrect use of product. Spare parts must be fitted by a competent person

**WARRANTY:** Guarantee is 12 months from purchase date, proof of which will be required for any claim.



Parts Information:  
**Trolley Jack 3tonne Rocket Lift with Safety Lock**  
**Model No: 3000LJ**

Item	Part No.	Description
1	3000LJ.01	Saddle
2	3000LJ.02	Lift Arm
3	3000LJ.03	Retaining Ring (16mm)
4	3000LJ.04	Retaining Ring (18mm)
5	3000LJ.05	Flat Washer (18mm)
6	3015CXD.03	Wheel, Front Fixed (Red)
7	3000LJ.07	Side Member (Right)
8	3000LJ.08	Front Wheel Shaft
9	3000LJ.09	Connecting Lever
10	3000LJ.10	Hex Head Bolt (M8x15)
11	3000LJ.11	Spring Washer (8mm)
12	3000LJ.12	Hex Head Bolt (M12x25)
13	3000LJ.13	Spring Washer (12mm)
14	SN16.S	Steel Nut M16 Zinc
15	3000LJ.15	Spring Washer (16mm)
16	3000LJ.16	Pressure Bolt (M18x5)
17	3000LJ.17	Spring Washer (18mm)
18	3000LJ.18	Handle Socket Shaft
19	3000LJ.19	Connecting Bolt
20	3000LJ.20	Spring Washer (16mm)
21	SN16.S	Steel Nut M16 Zinc
22	3000LJ.22	Hydraulic Pump
23	3000LJ.23	Tension Spring (Small) Dia 10.16mm
24	3000LJ.24	Handle Socket

Item	Part No.	Description
25	3000LJ.25	Idler Wheel
26	3000LJ.26	Idler Wheel Pin
27	3000LJ.27	Cotter Pin 2.5 x 16
28	3000LJ.28	Handle Socket Bolt (M12)
29	3000LJ.29	Lower Handle
30	3000LJ.30	Handle Screw (M6x35)
31	3000LJ.31	Handle Grip
32	3000LJ.32	Upper Handle C/w Rubber Grip
33	3000LJ.33	Csk Head S/T Screw M4.8 X 16
34	3000LJ.34	Cover Plate
35	3000LJ.35	Foot Pedal
36	604/RJ10N	External Circlip 24.4mm ID
37	3000LJ.37	Foot Pedal Lever
38	3000LJ.38	R-Pin
39	3000LJ.39	Return Spring Dia 15.8mm
40	3000LJ.40	Connecting Block
41	3000LJ.41	Cotter Pin 4 x 45
42	FWM24.S	Washer M24
43	3000LJ.43	Foot Pedal Pin Ass'y (Inc 2 Washers & C. Clips)
44	3000LJ.44	Safety Cap
45	3015CXD.34	Wheel, Swivel Castor (16mm Thread)
46	3000LJ.46	Side Member (Left)
47	3000LJ.47	Bushing

**NOTE:** It is our policy to continually improve products and as such we reserve the right to alter data, specifications and component parts without prior notice. There may be alternative versions of this product, please contact us should you require this information.

**IMPORTANT:** No liability is accepted for incorrect use of product. Spare parts must be fitted by a competent person

**WARRANTY:** Guarantee is 12 months from purchase date, proof of which will be required for any claim.

**Sealey Group**, Kempson Way, Suffolk Business Park, Bury St Edmunds, Suffolk. IP32 7AR



01284 757500



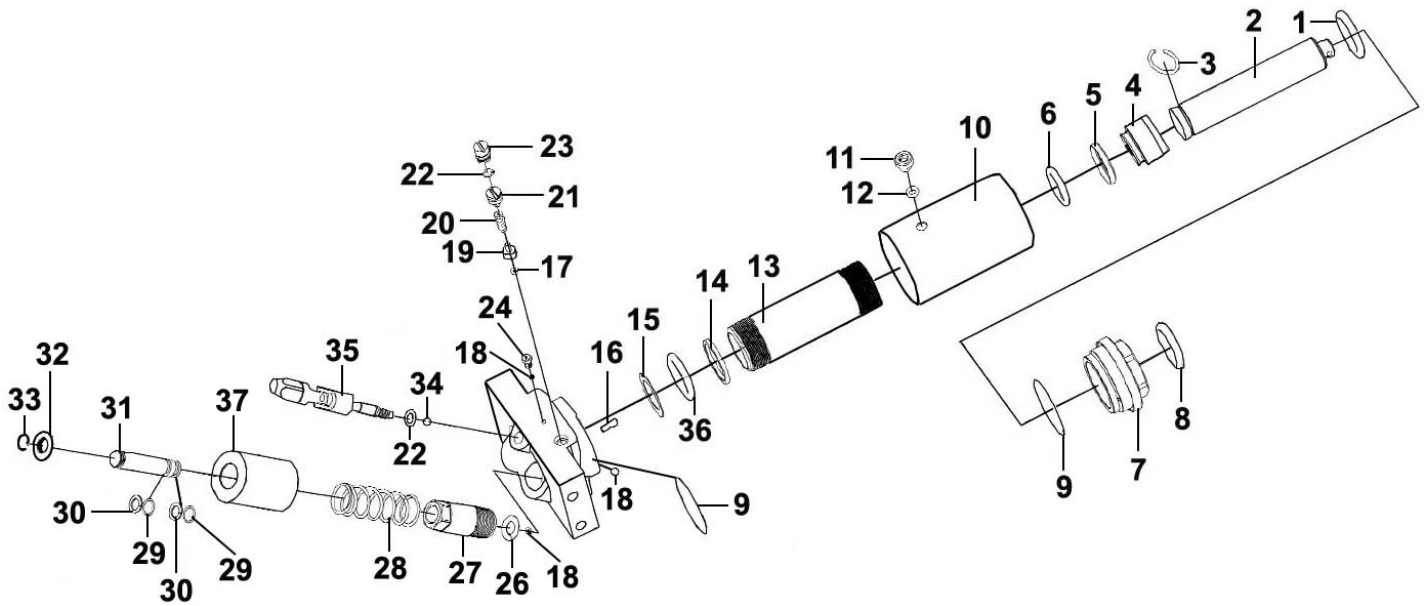
01284 703534



sales@sealey.co.uk



www.sealey.co.uk



Item	Part No.	Description
1	3000LJ.P01	O-Ring,
2	3000LJ.P02	Piston Rod
3	3000LJ.P03	Snap Ring
4	3000LJ.P04	Piston Head
5	3000LJ.P05	Bowl Washer
6	3000LJ.P06	O-Ring
7	3000LJ.P07	Top Cap
8	MS156.05	O-Ring
9	SA59.V3-35	O-Ring
10	3000LJ.P10	Reservoir
11	3000LJ.P11	Oil Filler Screw
12	WK025.V2-31	O-Ring
13	3000LJ.P13	Oil Cylinder
14	3000LJ.P14	Bottom Cylinder Nylon Ring
15	3000LJ.P15	Copper Packing
16	3000LJ.P16	Oil Strainer
17	SB-4.0	Steel Ball 4mm
18	SB-5.0)	Steel Ball 5mm
19	3000LJ.P19	Ball Valve Seat

Item	Part No.	Description
20	3000LJ.P20	Safety Valve Spring
21	3000LJ.P21	Pressure Adjusting Screw
22	3000LJ.V2-P20	O-Ring (8x1.8)
23	3000LJ.P23	Safety Valve Screw
24	3000LJ.P24	Hex Bolt
25	3000LJ.P25	Base Plate
26	3000LJ.P26	Copper Packing
27	3000LJ.P27	Pump Cylinder (Small)
28	3000LJ.P28	Pump Spring (Small)
29	SA695.13	O-Ring
30	MC4500.P5	External Circlip 18.2mm ID.
31	3000LJ.P31	Pump Core (Small)
32	3000LJ.P32	Spring Cover Plate
33	3000LJ.P33	Retaining Ring
34	SB-6.0	Steel Ball 6mm
35	3000LJ.P35	Discharge Valve Ass'y
36	3000LJ.P36	O-Ring
37	3000LJ.P37	Pump Inner (Small)

**NOTE:** It is our policy to continually improve products and as such we reserve the right to alter data, specifications and component parts without prior notice. There may be alternative versions of this product, please contact us should you require this information.

**IMPORTANT:** No liability is accepted for incorrect use of product. Spare parts must be fitted by a competent person

**WARRANTY:** Guarantee is 12 months from purchase date, proof of which will be required for any claim.