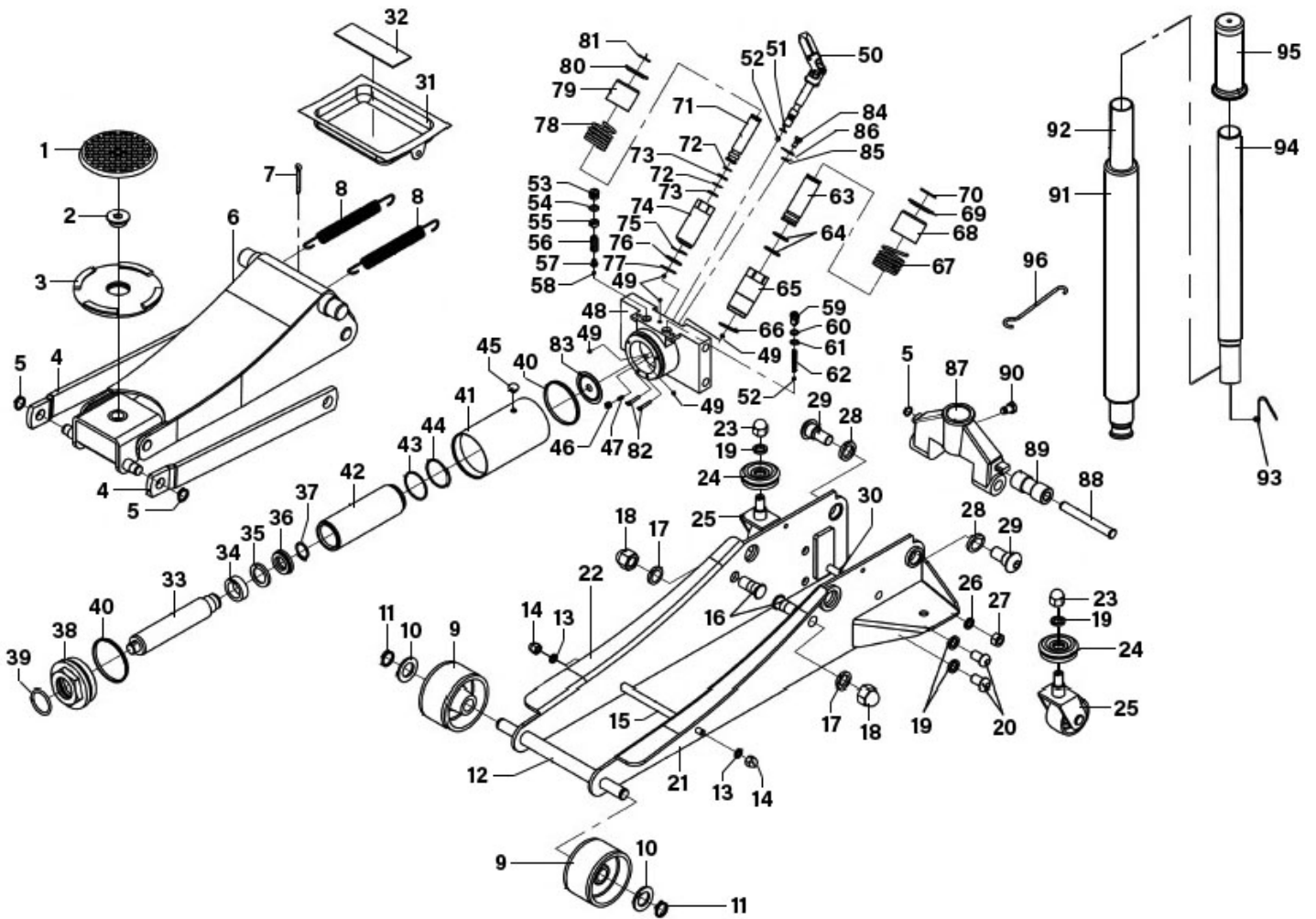




Parts Information:
Trolley Jack 3 Tonne Low Profile Rocket Lift
Hi-Vis Green
Model No: 3000LEHV



Item	Part No.	Description	Qty
1	JP17	Safety Rubber Jack Pad - Type B	1
2	4040A.02	Saddle Pin	1
3	SQ0241	Saddle	1
4	SQ0399	Radius Link	2
5	SQ0026	External Circlip	3
6	SQ0400	Lifting Arm Assembly	1
7	SQ0039	Cotter Pin	1
8	SQ0142	Return Spring Dia 17mm	2
9	SQ0245	Wheel Fixed (D: 72 W: 50 B: 18)	2
10	FWM18.S	Flat Washer M18 Zinc	2
11	SQ0030	External Circlip 18.0mm ID	2
12	SQ0243	Front Axle	1
13	SWM8.S	Spring Washer M8 Zinc	2
14	SN8.SD	Steel Nut M8 Domed Zinc	2
15	SQ0144	Frame Tie Rod	1
16	SQ0089	Radius Link Stud	2

Item	Part No.	Description	Qty
17	SWM16.S	Spring Washer M16 Zinc	2
18	SN16.SD	Steel Nut M16 Domed Zinc	2
19	SWM12.S	Spring Washer M12 Zinc	6
20	BHSS1020.S	Button Head Socket Screw M10 X 20 Zinc	4
21	SQ0420	Side Frame, Left 'Hi-Vis'	1
22	SQ0421	Side Frame, Right 'Hi-Vis'	1
23	SN12.SD	Steel Nut M12 Domed Zinc	2
24	4040A.27	Bearing race assembly	2
25	SQ0137	Rear Castor Assembly	2
26	SWM10.S	Spring Washer M10 Zinc	2
27	SN10.S	Steel Nut M10 Zinc	2
28	SWM20.S	Spring Washer M20 Zinc	2
29	SQ0134	Button Head Socket Screw M20	2
30	SQ0135	Frame Tie Rod	1
31	SQ0403	Tool Tray	1

NOTE: It is our policy to continually improve products and as such we reserve the right to alter data, specifications and component parts without prior notice. There may be alternative versions of this product, please contact us should you require this information.

IMPORTANT: No liability is accepted for incorrect use of product. Spare parts must be fitted by a competent person

WARRANTY: Guarantee is 12 months from purchase date, proof of which will be required for any claim.

Sealey Group, Kempson Way, Suffolk Business Park, Bury St Edmunds, Suffolk. IP32 7AR



01284 757500



sales@sealey.co.uk



www.sealey.co.uk



Parts Information:
**Trolley Jack 3 Tonne Low Profile Rocket Lift
Hi-Vis Green
Model No: 3000LEHV**

Item	Part No.	Description	Qty
32	SQ0146	Rubber Pad (Magnetic)	1
33	SQ0404	Ram Plunger Assembly	1
34	SQ0095	Bushing Cover	1
35	SQ0096	Back-up Washer	1
36	SQ0097	U-Cup Seal	1
37	SQ0405	External Circlip	1
38	SQ0098	Top Nut	1
39	AK451DX.06	O-ring, (Ex: 38.41 In: 31.35 Cs: 3.53)	1
40	SQ0100	Sealing Rin	2
41	SQ0406	Reservoir	1
42	SQ0407	Cylinder	1
43	SQ0101	Back-up Washer	1
44	SQ0103	O-Ring (44.5x2.5)	1
45	SQ0138	Oil Filler Plug	1
46	4040TB.49	Throttle Valve	1
47	SQ0249	Spring	1
48	SQ0408	Base Plate	1
49	SQ0042	Steel Ball	5
50	SQ0250	Release Valve Assembly (12mm)	1
51	GSA08.09-4	O-ring, (Ex: 11.21 In: 7.65 Cs: 1.78)	1
52	SB-6.0	Steel Ball 6.0mm	2
53	SQ0113	Guard Screw	1
54	SQ0114	O-Ring, (Ex: 12.80 In: 8.08 Cs: 2.36)	1
55	SQ0115	Safety Valve Screw	1
56	SQ0117	Valve Spring Dia 10.3mm	1
57	SQ0118	Ball Seat Valve	1
58	SB-6.1	Steel Ball 6.1mm	1
59	SQ0108	Valve Screw (M10 x 1-16)	1
60	SQ0110	Back-up Washer	1
61	GSA08.09-4	O-Ring, (Ex: 11.21 In: 7.65 Cs: 1.78)	1
62	SQ0207	Taper Spring Dia 8.4mm	1
63	SQ0226	Pump Piston (Large)	1
64	SA29.V3-41	O-Ring, (Ex: 22.36 In: 17.12 Cs: 2.62)	2
65	SQ0229	Pump Cylinder (Large)	1

Item	Part No.	Description	Qty
66	SQ0231	Washer (Pump Cylinder 'Large')	1
67	SQ0223	Pump Core Spring (B) Dia 37.4mm	1
68	SQ0222	Spring Sleeve (B)	1
69	SQ0221	Spring Stop Plate (B)	1
70	SQ0220	Spring Stop Plate Ring (B)	1
71	SQ0212	Pump Piston (A)	1
72	SQ0213	Back-up Washer (for Pump 'A')	2
73	SA695.13	O-Ring, (Ex: 16.01 In: 10.77 Cs: 2.62)	2
74	SQ0215	Pump 'A'	1
75	SQ0216	Back-up Washer /	1
76	SQ0217	O-Ring, (Ex: 26.24 In: 21.44 Cs: 2.40)	1
77	SQ0219	Washer (Pump Cylinder 'Small')	1
78	SQ0211	Pump Core Spring (A) Dia 33.5mm	1
79	SQ0210	Spring Sleeve (A)	1
80	SQ0209	Spring Stop Plate (A)	1
81	SQ0208	Spring Stop Plate Ring (A)	1
82	SQ0121	Filter	2
83	SQ0246	Disc Washer	1
84	SQ0002	Bolt	1
85	SWM8.SB	Spring Washer M8 Black	1
86	SQ0149	Flat Washer (26 × 17 × T3)	1
87	SQ0252	Handle Socket	1
88	SQ0254	Handle Socket Pin	1
89	SQ0253	Handle Socket Roller	1
90	4040A.87N	Handle Socket Bolt	1
91	SQ0132	Handle Sleeve	1
92	SQ0271	Lower Handle (c/w Part 92)	1
93	SQ0160	Handle Lock Button	1
94	SQ0411	Upper Handle (c/w Part SQ0128)	1
95	SQ0128	Handle	1
96	SQ0256	Hook	1
--	SQ0409	Hydraulic Unit for 3000LE (Not Shown)	1
--	SQ0410	Repair Kit for 3000LE (Not Shown)	1

NOTE: It is our policy to continually improve products and as such we reserve the right to alter data, specifications and component parts without prior notice. There may be alternative versions of this product, please contact us should you require this information.

IMPORTANT: No liability is accepted for incorrect use of product. Spare parts must be fitted by a competent person

WARRANTY: Guarantee is 12 months from purchase date, proof of which will be required for any claim.

Sealey Group, Kempson Way, Suffolk Business Park, Bury St Edmunds, Suffolk. IP32 7AR



01284 757500



sales@sealey.co.uk



www.sealey.co.uk