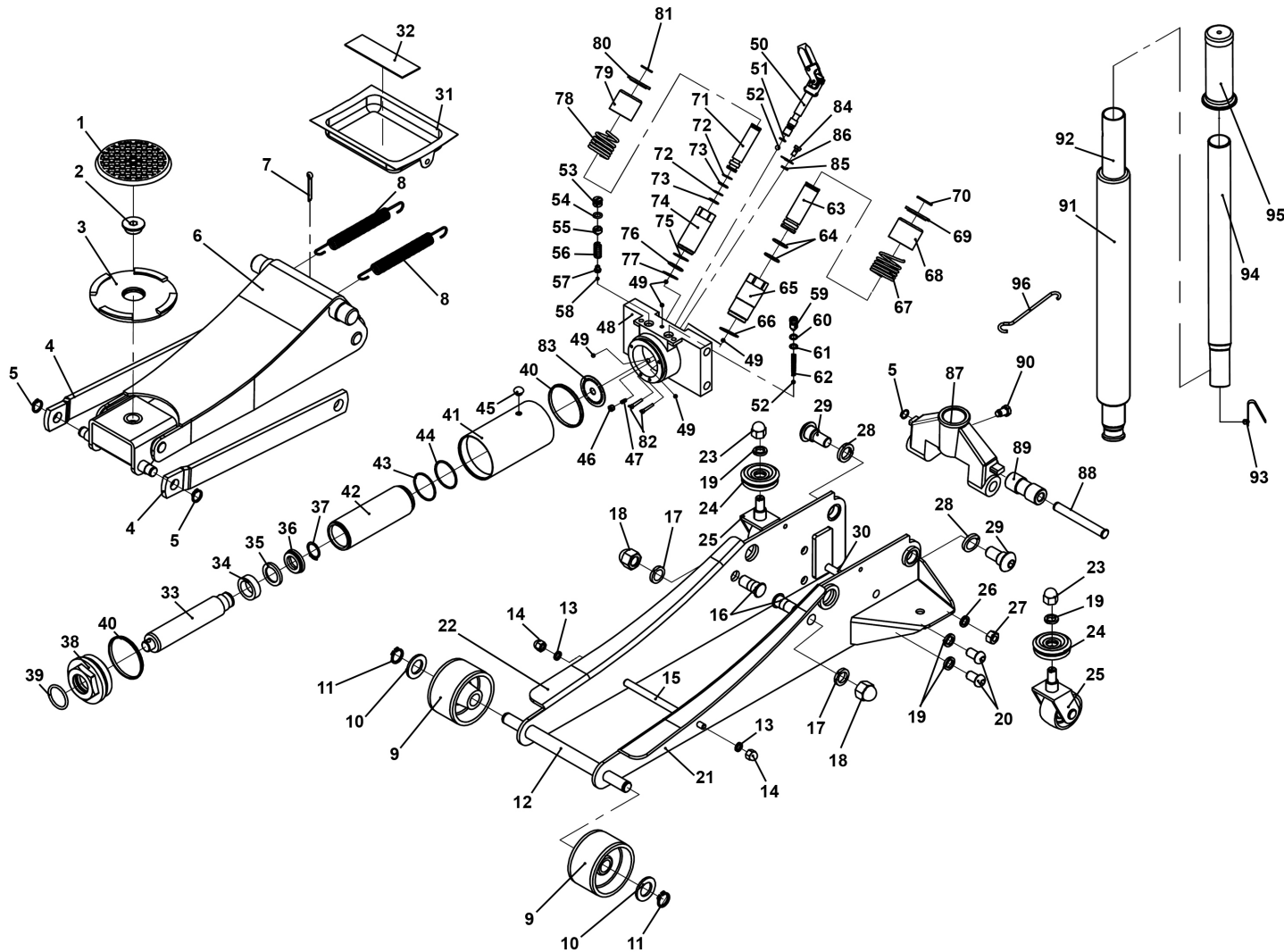




Parts Information:
Trolley Jack 3tonne Low Entry Rocket Lift Hi-Vis Green
Model No: 3000LEHV



NOTE: It is our policy to continually improve products and as such we reserve the right to alter data, specifications and component parts without prior notice.

There may be alternative versions of this product, please contact us should you require this information.

IMPORTANT: No liability is accepted for incorrect use of product. Spare parts must be fitted by a competent person

WARRANTY: Guarantee is 12 months from purchase date, proof of which will be required for any claim.

Sealey Group, Kempson Way, Suffolk Business Park, Bury St Edmunds, Suffolk. IP32 7AR



01284 757500



01284 703534



sales@sealey.co.uk



www.sealey.co.uk



Parts Information:
**Trolley Jack 3tonne Low Entry Rocket Lift
Hi-Vis Green
Model No: 3000LEHV**

Item	Part No.	Description
1	JP17	Safety Rubber Jack Pad - Type B
2	SQ0242	Saddle Bolt
3	SQ0241	Saddle
4	SQ0399	Radius Link
5	SQ0026	External Circlip
6	SQ0400	Lifting Arm Assembly
7	SQ0039	Cotter Pin
8	SQ0142	Return Spring Dia 17mm
9	SQ0245	Wheel Fixed (D: 72 W: 50 B: 18)
10	FWM18.S	Flat Washer M18 Zinc
11	SQ0030	External Circlip 18.0mm ID.
12	SQ0243	Front Axle
13	SWM8.S	Spring Washer M8 Zinc
14	SN8.SD	Steel Nut M8 Domed Zinc
15	SQ0144	Frame Tie Rod
16	SQ0089	Radius Link Stud
17	SWM16.S	Spring Washer M16 Zinc
18	SN16.SD	Steel Nut M16 Domed Zinc
19	SWM12.S	Spring Washer M12 Zinc
20	BHSS1020.S	Button Head Socket Screw M10 X 20 Zinc
21	SQ0401	Side Frame, Left
22	SQ0402	Side Frame, Right
23	SN12.SD	Steel Nut M12 Domed Zinc
24	SQ0093	Roller Bearing Assembly
25	SQ0137	Rear Castor Assembly
26	SWM10.S	Spring Washer M10 Zinc
27	SN10.S	Steel Nut M10 Zinc
28	SWM20.S	Spring Washer M20 Zinc
29	SQ0134	Button Head Socket Screw M20
30	SQ0135	Frame Tie Rod
31	SQ0403	Tool Tray
32	SQ0146	Rubber Pad (Magnetic)
33	SQ0404	Ram Plunger Assembly
34	SQ0095	Bushing Cover
35	SQ0096	Back-up Washer
36	SQ0097	U-Cup Seal
37	SQ0405	External Circlip
38	SQ0098	Top Nut
39	AK451DX.06	O-ring, (Ex: 38.41 In: 31.35 Cs: 3.53)
40	SQ0100	Sealing Ring
41	SQ0406	Reservoir

Item	Part No.	Description
42	SQ0407	Cylinder
43	SQ0101	Back-up Washer
44	SQ0103	O-Ring (44.5x2.5)
45	SQ0138	Oil Filler Plug
46	SQ0247	Throttle Valve
47	SQ0249	Spring
48	SQ0408	Base Plate
49	SQ0042	Steel Ball
50	SQ0250	Release Valve Assembly (12mm)
51	GSA08.09-4	O-ring, (Ex: 11.21 In: 7.65 Cs: 1.78)
52	SB-6.0	Steel Ball 6.0mm
53	SQ0113	Guard Screw
54	SQ0114	O-Ring, (Ex: 12.80 In: 8.08 Cs: 2.36)
55	SQ0115	Safety Valve Screw
56	SQ0117	Valve Spring Dia 10.3mm
57	SQ0118	Ball Seat Valve
58	SB-6.1	Steel Ball 6.1mm
59	SQ0108	Valve Screw (M10 x 1-16)
60	SQ0110	Back-up Washer
61	GSA08.09-4	O-ring, (Ex: 11.21 In: 7.65 Cs: 1.78)
62	SQ0207	Taper Spring Dia 8.4mm
63	SQ0226	Pump piston (large)
64	SA29V3-41	O-ring, (Ex: 22.36 In: 17.12 Cs: 2.62)
65	SQ0229	Pump cylinder (large)
66	SQ0231	Washer (Pump Cylinder 'Large')
67	SQ0223	Pump Core Spring (B) Dia 37.4mm
68	SQ0222	Spring Sleeve (B)
69	SQ0221	Spring Stop Plate (B)
70	SQ0220	Spring Stop Plate Ring (B)
71	SQ0212	Pump Piston (A)
72	SQ0213	Back-up Washer (for Pump 'A')
73	SA695.13	O-ring, (Ex: 16.01 In: 10.77 Cs: 2.62)
74	SQ0215	Pump 'A'
75	SQ0216	Back-up Washer
76	SQ0217	O-Ring, (Ex: 26.24 In: 21.44 Cs: 2.40)
77	SQ0219	Washer (Pump Cylinder 'Small')
78	SQ0211	Pump Core Spring (A) Dia 33.5mm
79	SQ0210	Spring Sleeve (A)
80	SQ0209	Spring Stop Plate (A)
81	SQ0208	Spring Stop Plate Ring (A)
82	SQ0121	Filter

NOTE: It is our policy to continually improve products and as such we reserve the right to alter data, specifications and component parts without prior notice. There may be alternative versions of this product, please contact us should you require this information.

IMPORTANT: No liability is accepted for incorrect use of product. Spare parts must be fitted by a competent person

WARRANTY: Guarantee is 12 months from purchase date, proof of which will be required for any claim.

Sealey Group, Kempson Way, Suffolk Business Park, Bury St Edmunds, Suffolk. IP32 7AR



01284 757500



01284 703534



sales@sealey.co.uk



www.sealey.co.uk



Parts Information:
**Trolley Jack 3tonne Low Entry Rocket Lift
Hi-Vis Green
Model No: 3000LEHV**

Item	Part No.	Description
83	SQ0246	Disc Washer
84	SQ0002	Bolt
85	SWM8.SB	Spring Washer M8 Black
86	SQ0149	Flat Washer (26 × 17 × T3)
87	SQ0252	Handle Socket
88	SQ0254	Handle Socket Pin
89	SQ0253	Handle Socket Roller
90	SQ0358	Handle Socket Bolt (M12 x 13)

Item	Part No.	Description
91	SQ0132	Handle Sleeve
92	SQ0271	Lower Handle (c/w Part 92)
93	SQ0160	Handle Lock Button
94	SQ0411	Upper Handle
95	SQ0128	Handle Grip
96	SQ0256	Hook
--	SQ0409	Hydraulic Unit for 3000LE
--	SQ0410	Repair Kit for 3000LE

NOTE: It is our policy to continually improve products and as such we reserve the right to alter data, specifications and component parts without prior notice. There may be alternative versions of this product, please contact us should you require this information.

IMPORTANT: No liability is accepted for incorrect use of product. Spare parts must be fitted by a competent person

WARRANTY: Guarantee is 12 months from purchase date, proof of which will be required for any claim.

Sealey Group, Kempson Way, Suffolk Business Park, Bury St Edmunds, Suffolk. IP32 7AR



01284 757500



01284 703534



sales@sealey.co.uk



www.sealey.co.uk