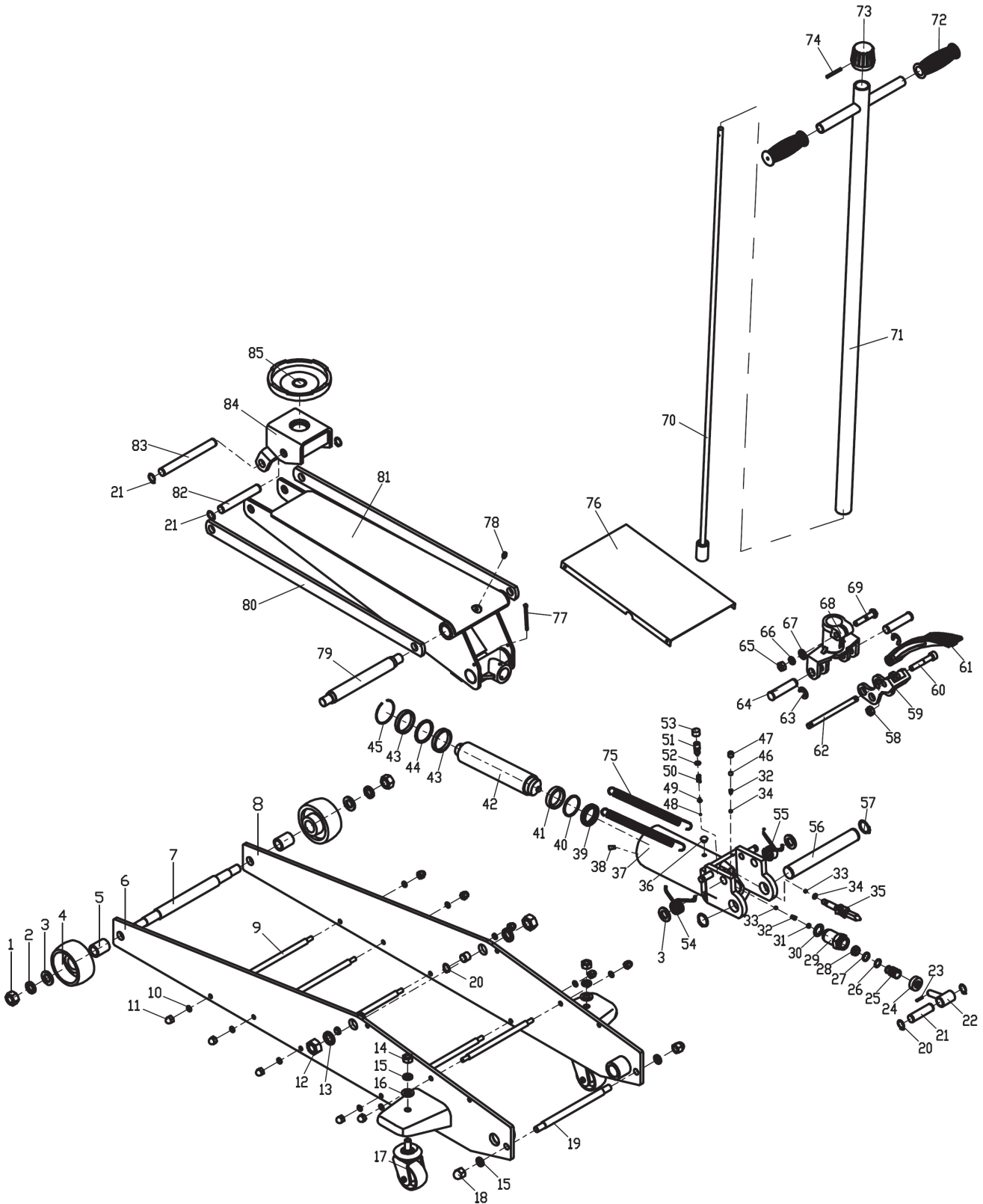




Parts Information:
Trolley Jack 3tonne Long Reach High Lift
Commercial
Model No: 3000HLC



NOTE: It is our policy to continually improve products and as such we reserve the right to alter data, specifications and component parts without prior notice.

IMPORTANT: No liability is accepted for incorrect use of product.

WARRANTY: Guarantee is 12 months from purchase date, proof of which will be required for any claim.

Sealey Group, Kempson Way, Suffolk Business Park, Bury St Edmunds, Suffolk. IP32 7AR



01284 757500



01284 703534



sales@sealey.co.uk



www.sealey.co.uk



Parts Information:
Trolley Jack 3tonne Long Reach High Lift Commercial
Model No: 3000HLC

Item	Part No.	Description
1	SN16.S	Steel Nut M16 Zinc Din934(Single)
2	SWM16.S	Spring Washer M16 Zinc (Single)
3	FWM16.S	Flat Washer M16 Single
4	3000HLC.04	Front Wheel
5	3000HLC.05	Front Wheel Bush
6	3000HLC.06	Left Side Frame
7	3000HLC.07	Front Wheel Shaft
8	3000HLC.08	Right Side Frame
9	3000HLC.09	Shaft (A)
10	SWM8.S	Spring Washer M8 Zinc (Single)
11	SN8.SD	Steel Nut M8 Domed (Single)
12	SN18.S	Steel Nut M18 Zinc Din934(Single)
13	SWM18.S	Spring Washer M18 Zinc (Single)
14	SN12.S	Steel Nut M12 Zinc Din934(Single)
15	SWM12.S	Spring Washer M12 Zinc (Single)
16	FWM12.S	Flat Washer M12 Single
17	3000HLC.17	Rear Castor
18	SN12.SD	Steel Nut M12 Domed (Single)
19	3000HLC.19	Shaft (B)
20	3000HLC.20	Retainer Ring 16mm
21	3000HLC.21	Pump Plunger Pin
22	3000HLC.22	Pump Plunger
23	3000HLC.23	Pin 3x16
24	3000HLC.24	Dustproof Ring
25	3000HLC.25	Pump Core
26	3000HLC.26	O-Ring (13.5x2.3)
27	3000HLC.27	Back Up-Ring
28	3000HLC.28	Y-Ring
29	3000HLC.29	Pump Cylinder
30	3000HLC.30	Washer
31	3000HLC.31	Nylon Sleeve
32	3000HLC.32	Spring
33	SB-6.0	Steel Ball 6.0mm
34	3000HLC.34	O-Ring (7.7x1.9)
35	3000HLC.35	Release Valve Rod
36	3000HLC.36	Oil Filler Plug
37	3000HLC.37	Power Unit
38	3000HLC.38	Oil Strainer
39	3000HLC.39	Y-Ring
40	3000HLC.40	Back Up-Ring
41	3000HLC.41	Piston Plug
42	3000HLC.42	Piston Rod
43	3000HLC.43	Retainer

Item	Part No.	Description
44	3000HLC.44	O-Ring
45	3000HLC.45	Snap Ring
46	SB-8.0	Steel Ball 8.0mm
47	3000HLC.47	Screw M10X10
48	SB-3.0	Steel Ball 3.0mm
49	3000HLC.49	Valve Seat
50	3000HLC.50	Spring
51	3000HLC.51	Safety Valve Screw
52	3000HLC.52	O-Ring (8.5x2.65)
53	3000HLC.53	Cap
54	3000HLC.54	Handle Return Spring (Right)
55	3000HLC.55	Handle Return Spring (Left)
56	3000HLC.56	Power Unit Shaft
57	3000HLC.57	Snap Ring 26mm
58	SN10.S	Steel Nut M10 Zinc Din934(Single)
59	3000HLC.59	Pedal Link
60	3000HLC.60	Bolt M10X60
61	3000HLC.61	Foot Pedal
62	3000HLC.62	Pedal Link Pin
63	3000HLC.63	Retainer Ring 12
64	3000HLC.64	Handle Socket Pin
65	SN10.S	Steel Nut M10 Zinc Din934(Single)
66	SWM10.S	Spring Washer M10 Zinc (Single)
67	FWM10.S	Flat Washer M10 Single
68	3000HLC.68	Handle Socket
69	3000HLC.69	Bolt M10X50
70	3000HLC.70	Control Rod
71	3000HLC.71	Handle
72	3000HLC.72	Handle Grip
73	3000HLC.73	Handle Knob
74	3000HLC.74	Pin 4x40
75	3000HLC.75	Power Unit Spring
76	3000HLC.76	Top Cover
77	3000HLC.77	Pin 4x55
78	GNM19S	Grease Nipple STR 6 x 1.00mm Single
79	3000HLC.79	Lift Arm Shaft
80	3000HLC.80	Radius Link
81	3000HLC.81	Lifting Arm Assembly
82	3000HLC.82	Lift Arm Pin
83	3000HLC.83	Saddle Pin
84	3000HLC.84	Saddle Carrier
85	3000HLC.85	Saddle
--	3000HLC.86	Spring (NOT SHOWN)

NOTE: It is our policy to continually improve products and as such we reserve the right to alter data, specifications and component parts without prior notice.

IMPORTANT: No liability is accepted for incorrect use of product.

WARRANTY: Guarantee is 12 months from purchase date, proof of which will be required for any claim.

Sealey Group, Kempson Way, Suffolk Business Park, Bury St Edmunds, Suffolk. IP32 7AR



01284 757500



01284 703534



sales@sealey.co.uk



www.sealey.co.uk