

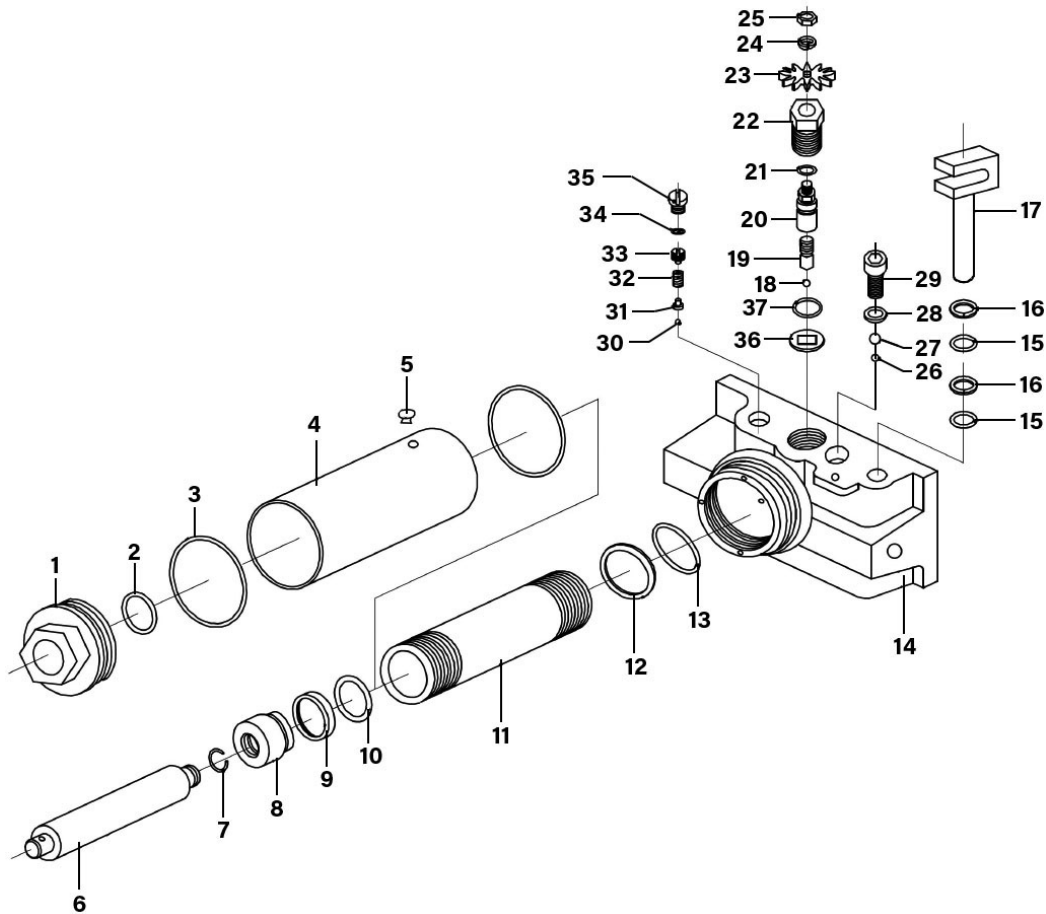
Item	Part No.	Description
1	3010CX.01	Side plate
2	3010CX.02	Wheel, Front Fixed (D:93 W:42 B:20)
3	FWM18.S	Flat Washer M18 Zinc
4	3010CX.04	External Circlip 17.4mm ID
5	3010CX.05	Cotter Pin M2.2 x 26
6	3010CX.06	Lift Arm
7	3010CX.07	Saddle, White Serrated (M) Ø 130mm (Shaft Ø 30mm)
8	3010CX.08	Raise Arm Support
9	3010CX.09	External Circlip 22.0mm ID
10	GNM19S	Grease Nipple Str 6 x 1.00mm Single
11	3010CX.11	External Circlip (S25)
12	3010CX.12	Link Support
13	3010CX.13	Cotter Pin M4 x 40
14	3010CX.14	Spring Dia 16mm
15	3010CX.15	Power Unit Ass'y
16	3010CX.16	Bolt
17	SWM18.S	Spring Washer M18 Zinc
18	3010CX.18	Torsion Spring
19	3010CX.19	Handle Socket
20	3010CX.20	Handle Bolt M12x13
20	3010CX.20A	Handle Bolt M12x14
21	SN10.S	Steel Nut M10 Zinc

Item	Part No.	Description
22	SWM10.S	Spring Washer M10 Zinc
23	3010CX.23	Tipping Gear
24	3010CX.24	Pin (2.5x15)
25	3010CX.25	Gear Shaft
26	3010CX.26	Handle Grip
27	SS635.S	Hex Head Set Screw M6 X 35 Zinc
28	3010CX.28	Lower Jack Handle (square) 16.3mm
29	3010CX.29	Handle, Upper
30	3010CX.30	Bolt m17.5x30
31	3010CX.31	Reinforcement Shaft
32	3010CX.32	Lock Washer (12mm)
33	3010CX.33	Hex Nut
34	SWM12.S	Spring Washer M12 Zinc
35	SCB1225.SB	Socket Cap Bolt M12 x 25mm Black
36	3010CX.36	Wheel, Swivel Castor, Single Bolt 16mm(D:60 w:25 B:10 H:110)
37	3290CX.21	Half Nut M16 BZP
38	SWM16.S	Spring Washer M16 Zinc
39	SN12.S	Steel Nut M12 Zinc
40	SWM12.S	Spring Washer M12 Zinc
--	JP04	Safety Rubber Jack Pad - Type A (Not Shown)
--	3010CX.RK	Repair Kit (Not Shown)

NOTE: It is our policy to continually improve products and as such we reserve the right to alter data, specifications and component parts without prior notice. There may be alternative versions of this product, please contact us should you require this information.

IMPORTANT: No liability is accepted for incorrect use of product. Spare parts must be fitted by a competent person

WARRANTY: Guarantee is 12 months from purchase date, proof of which will be required for any claim.



Item	Part No.	Description
1	3010CX.P01	Top Cap
2	RE91/10.07	O-Ring, (Ex: 36.81 In: 29.75 Cs: 3.53)
3	3010CX.P03	Seal
4	3010CX.P04	Reservoir
5	3010CX.P05	Oil Filler Plug
6	3010CX.P06	Piston Rod
7	3010CX.P07	C-Ring
8	3010CX.P08	Piston Head
9	3010CX.P09	Bowl Washer White Plastic
10	3010CX.P10	O-Ring, (Ex: 41.96 In: 32.82 Cs: 4.57)
11	3010CX.P11	Oil Cylinder
12	3010CX.P12	Nylon Seal
13	3010CX.P13	O-Ring (46.5x2.4)
14	3010CX.P14	Base Plate
15	3010CX.P15	O-Ring, (Ex: 20.79 In: 15.91 Cs: 2.44)
16	3010CX.P16	Split Washer Plastic
17	3010CX.P17	Pump Core
18	SB-6.0	Steel Ball 6mm
19	3010CX.P19	Reset Plunger

Item	Part No.	Description
20	3010CX.P20	Oil Drain Valve Stem
21	3010CX.P21	O-Ring (12.5x1.8)
22	3010CX.P22	Oil Drain Valve Seat
23	3010CX.P23	Oil Drain Valve Gear
24	3010CX.P24	Spring Washer (8mm)
25	SN8.S	Steel Nut M8 Zinc
26	SB-6.0	Steel Ball 6mm
27	SB-9.0	Steel Ball 9.0mm
28	3010CX.P28	Sealing washer
29	3010CX.P29	Socket Cap Screw (M12x20)
30	SB-4.0	Steel Ball 4mm
31	3010CX.P31	Ball Valve Seat (c/w Steel Ball 4mm)
32	3010CX.P32	Pressure Regulating Spring
33	3010CX.P33	Pressure Adjusting Screw
34	3010CX.P34	Relief Valve Sealing Ring
35	3010CX.P35	Relief Valve Screw
36	3010CX.P36	Guide Plate
37	3010CX.P37	O-Ring (18.8x2)

NOTE: It is our policy to continually improve products and as such we reserve the right to alter data, specifications and component parts without prior notice. There may be alternative versions of this product, please contact us should you require this information.

IMPORTANT: No liability is accepted for incorrect use of product. Spare parts must be fitted by a competent person

WARRANTY: Guarantee is 12 months from purchase date, proof of which will be required for any claim.