

NOTE: It is our policy to continually improve products and as such we reserve the right to alter data, specifications and component parts without prior notice. There may be alternative versions of this product, please contact us should you require this information.

IMPORTANT: No liability is accepted for incorrect use of product. Spare parts must be fitted by a competent person

WARRANTY: Guarantee is 12 months from purchase date, proof of which will be required for any claim.



Parts Information:
**Trolley Jack 2.75tonne Low Entry Rocket
Lift**
Model No: 2750LE.V2

Item	Part No.	Description
1	3250LE.01	Hydraulic Unit Ass'y
2	2750LE.02	Frame Body
3	2750LE.03	Lifting Arm
4	3250LE.04	Wheel, Swivel Castor, single Bolt
5	3250LE.05	Connecting Block
6	2750LE.V2-06	Link Rod, Right (Black)
7	2750LE.V2-07	Link Rod, Left (Black)
8	3250LE.08	Handle, Upper
9	SS635.S	Hex Head Set Screw M6 X 35 Zinc
10	3250LE.10	Handle Cover
11	3250LE.11	Lower Jack Handle (17mm square hole)
12	3250LE.12	Handle Socket Screw (M10)
13	3250LE.V2-13	Handle Socket
14	3250LE.14	Roller Pin
15	RE231.05	External Circlip 12.8mm ID.
16	3250LE.16	Handle Socket Pin
17	NLN14.S	Nyloc Nut M14 Zinc
18	3250LE.18	Handle Limiting Bar
19	3250LE.19	Bushing
20	SWM8.S	Spring Washer M8 Zinc
21	BHSS816.S	Button Head Socket Screw M8 X 16 Zinc
22	SWM12.S	Spring Washer M12 Zinc

Item	Part No.	Description
23	SS1225.S	Hex Head Set Screw M12 X 25 Zinc
24	3250LE.24	Spring washer
25	3250LE.25	Nut / Nut
26	3250LE.26	Shaft / Shaft
27	SN16.S	Steel Nut M16 Zinc
28	SWM16.SB	Spring Washer M16 Black
29	3250LE.29	External Circlip 17.4mm ID
30	3250LE.30	Washer m20 Thin
31	3250LE.31	Wheel, Front, Fixed (D:73 W:48 B:20)
32	3250LE.32	External Circlip 13.7mm ID
33	3250LE.33	Cotter Pin M2.6 x 50
34	2500LE.19	External Circlip 22.8mm ID.
35	3250LE.35	Saddle
36	3250LE.36	Saddle Pin
37	3250LE.37	Saddle Pad
38	3250LE.V2-38	Cover Plate
39	3250LE.39	Handle Limiting Bar (Short)
40	3250LE.40	Roller
41	3250LE.41	Adjusting Screw
42	3250LE.42	Return Spring 15mm Dia. x 140mm Long
--	3250LE.11N	Handle, Lower (12.5mm Square Hole) (Not Shown)

NOTE: It is our policy to continually improve products and as such we reserve the right to alter data, specifications and component parts without prior notice. There may be alternative versions of this product, please contact us should you require this information.

IMPORTANT: No liability is accepted for incorrect use of product. Spare parts must be fitted by a competent person

WARRANTY: Guarantee is 12 months from purchase date, proof of which will be required for any claim.

Sealey Group, Kempson Way, Suffolk Business Park, Bury St Edmunds, Suffolk. IP32 7AR



01284 757500



01284 703534



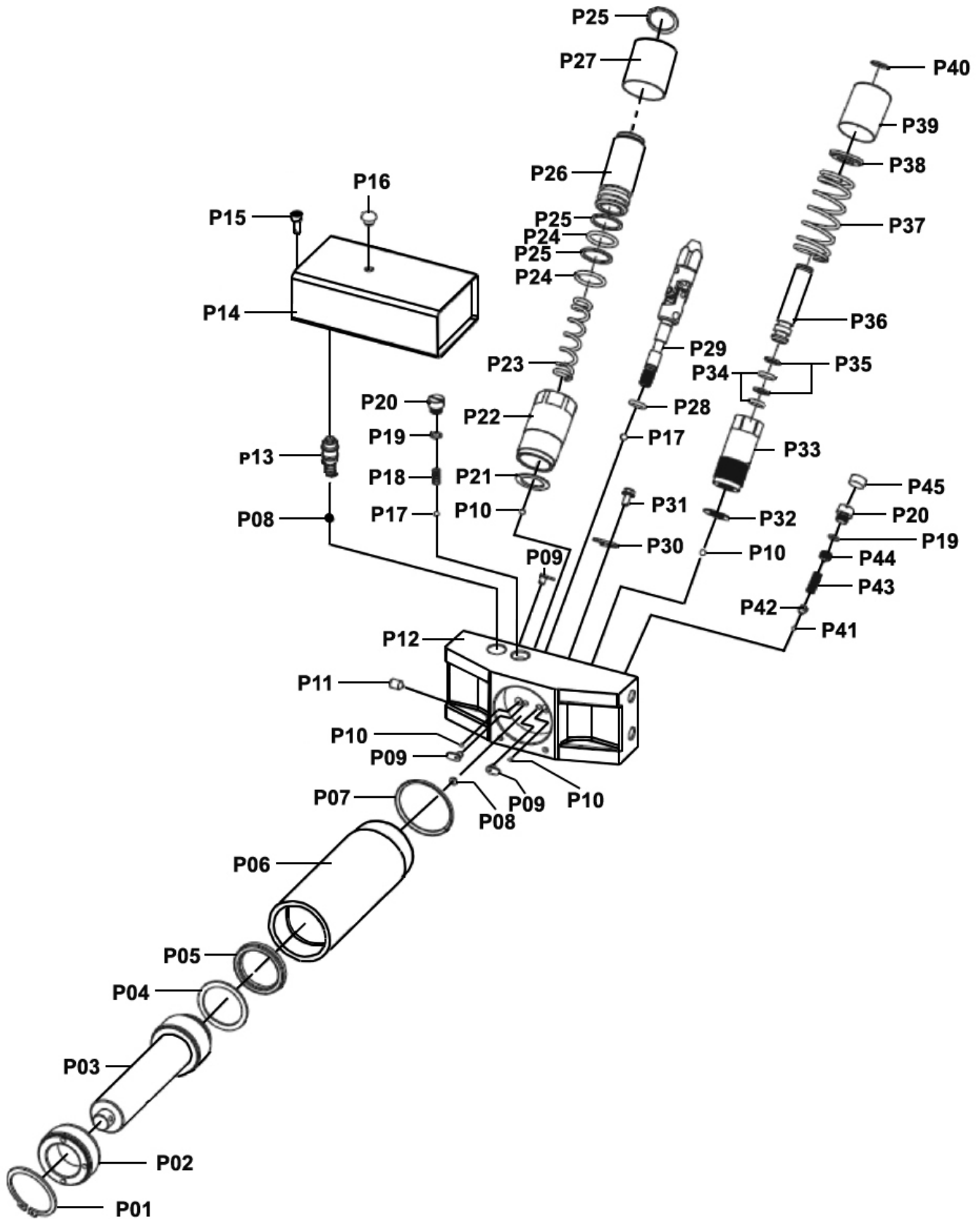
sales@sealey.co.uk



www.sealey.co.uk



Parts Information:
Trolley Jack 2.75tonne Low Entry Rocket
Lift
Model No: 2750LE.V2



NOTE: It is our policy to continually improve products and as such we reserve the right to alter data, specifications and component parts without prior notice. There may be alternative versions of this product, please contact us should you require this information.

IMPORTANT: No liability is accepted for incorrect use of product. Spare parts must be fitted by a competent person

WARRANTY: Guarantee is 12 months from purchase date, proof of which will be required for any claim.

Sealey Group, Kempson Way, Suffolk Business Park, Bury St Edmunds, Suffolk. IP32 7AR



01284 757500



01284 703534



sales@sealey.co.uk



www.sealey.co.uk



Parts Information:
**Trolley Jack 2.75tonne Low Entry Rocket
Lift**
Model No: 2750LE.V2

Item	Part No.	Description
P01	2750LE.P01	Internal Circlip 56.6mm OD.
P02	2750LE.P02	Ring For Ram
P03	2750LE.P03	Ram
P04	2750LE.P04	Ptfe Ring
P05	2750LE.P05	Sealing Ring Blue 40*50*6
P06	2750LE.P06	Cylinder
P07	2750LE.P07	Nylon Ring
P08	2750LE.P08	Strainer
P09	2750LE.P09	Steel Ball Support
P10	2750LE.P10	Ball
P11	2750LE.P11	Screw
P12	2750LE.P12	Pump
P13	2750LE.P13	Oil Filler
P14	2750LE.P14	Tank
P15	2750LE.P15	Screw
P16	2750LE.P16	Oil Plug
P17	2750LE.P17	Ball
P18	2750LE.P18	Spring
P19	2750LE.P19	O-Ring, (Ex: 12.10 In: 8 Cs: 2.05)
P20	2750LE.P20	Screw
P21	2750LE.P21	Copper Gasket (Big)
P22	2750LE.P22	Low Pressure Pump Core Base
P23	2750LE.P23	Spring

Item	Part No.	Description
P24	2750LE.P24	O-Ring, (Ex: 29.05 In: 23.81 Cs: 2.62)
P25	2750LE.P25	Ptfe Ring
P26	2750LE.P26	Low Pressure Pump Core
P27	2750LE.P27	Spring Cover
P28	2750LE.P28	O-Ring, (Ex: 11.51 In: 6.71 Cs: 2.40)
P29	2750LE.P29	Release Valve (12mm Square End)
--	2750LE.P29A	Release Valve (16mm Square End)
P30	2750LE.P30	Plate
P31	2750LE.P31	Screw
P32	2750LE.P32	Copper Gasket (Small)
P33	2750LE.P33	High Pressure Pump Core Base
P34	SA695.13	O-Ring, (Ex: 16.01 In: 10.77 Cs: 2.62)
P35	2750LE.P35	Nylon Ring
P36	2750LE.P36	High Pressure Pump Core
P37	2750LE.P37	Spring
P38	2750LE.P38	Circlip
P39	2750LE.P39	Spring Cover
P40	2750LE.P40	Circlip
P41	2750LE.P41	Ball
P42	2750LE.P42	Ball Seat
P43	2750LE.P43	Spring
P44	2750LE.P44	Screw
P45	2750LE.P45	Plastic Cap

NOTE: It is our policy to continually improve products and as such we reserve the right to alter data, specifications and component parts without prior notice. There may be alternative versions of this product, please contact us should you require this information.

IMPORTANT: No liability is accepted for incorrect use of product. Spare parts must be fitted by a competent person

WARRANTY: Guarantee is 12 months from purchase date, proof of which will be required for any claim.

Sealey Group, Kempson Way, Suffolk Business Park, Bury St Edmunds, Suffolk. IP32 7AR



01284 757500



01284 703534



sales@sealey.co.uk



www.sealey.co.uk