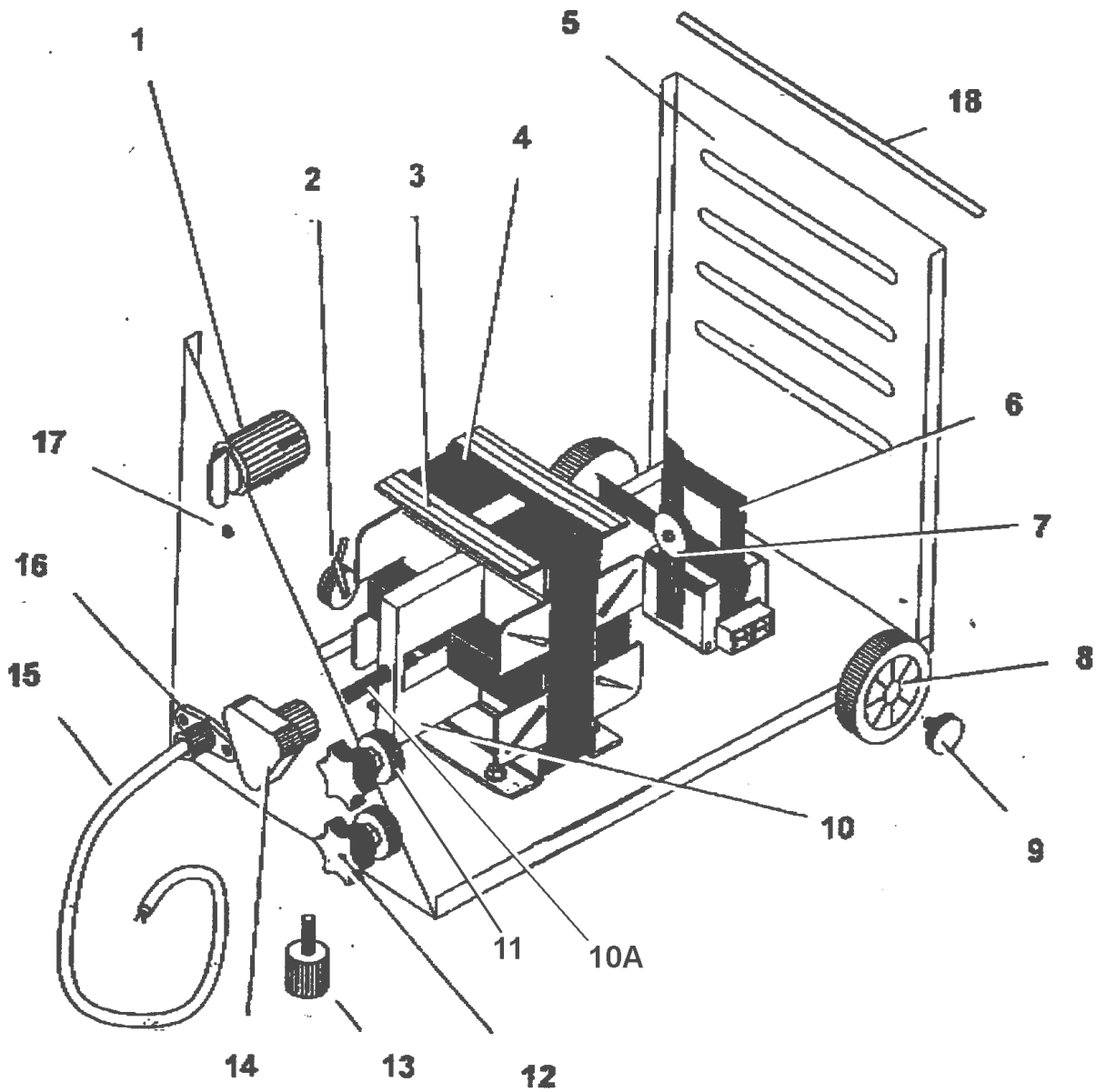


**PARTS LIST FOR
ARC WELDER
180XTD, 210XTC, 210XTD & 260XTD**

Issue: 1
Date: 010100



180XTD

Item	Part No	Description
01	331/00704175	SWITCH
02	331/01202130	THERMAL PROTECTION
03	331/10051060	ATTACHMENT CLAMP
04	331/1706058	TRANSFORMER
05	331/1022000N	CHASSIS
06	331/02301035	MOTOR FAN
07	331/02302154	BLADE,FAN
08	331/02201150	WHEEL 150mm dia
09	331/02104017	CAP,WHEEL
10	331/10070010	SHUNT
10A	180XTD/09	PIN, ADJUSTING
13	331/02101020	SUPPORT,M8
14	331/10034100	HAND WHEEL ,M8
16	331/02102113	LOCK, CABLE
17	331/01902010	LAMP
18	331/10041370	AXLE

*	120/712030	CLAMP, EARTH
*	LS/16	LEAD (SINGLE) 16mm 3m c/w EYES
*	MIG/SEH/1	DE-LUX ELECTRODE HOLDER
*	331/03401005	HANDLE

* = Not illustrated

210XTC

Item	Part No	Description
01	331/00704175	SWITCH
02	331/01202130	THERMAL PROTECTION
03	331/10051060	ATTACHMENT CLAMP
04	331/17060810	TRANSFORMER
05	331/1022200N	CASE
06	331/02301040	FAN MOTOR 230/240V
07	331/02302154	BLADE,FAN
08	331/02201150	WHEEL 150mm dia
09	331/02104017	WHEEL CAP
10	331/10070010	SHUNT
10A	210XTC/09	ADJUSTING PIN
11	120/990162	TERMINAL COMPLETE
12	210XTC/10A	TERMINAL KNOB (RED)
13	331/02101020	SUPPORT,M8
14	331/10034100	HAND WHEEL ,M8
16	331/02102115	CABLE, LOCK
17	331/01902010	LAMP
18	331/190152A	AXLE, LATER TYPE, ID9mm/OD12mm

*	MIG/SEH/1	DE-LUX ELECTRODE HOLDER
*	120/712030	CLAMP, EARTH
*	LS/16	LEAD (SINGLE) 16mm 3m c/w EYES
*	331/03401005	HANDLE

* = Not illustrated

210XTD

Item	Part No	Description
01	331/00704175	SWITCH
02	331/01202130	THERMAL PROTECTION
03	331/10051060	ATTACHMENT CLAMP
04	331/17060910	TRANSFORMER
05	331/1022600N	CASE
06	331/02301040	FAN MOTOR 230/240V
07	331/02302154	BLADE,FAN
08	331/02201150	WHEEL 150mm dia
09	331/02104017	WHEEL CAP
10	331/10070010	SHUNT
14	331/19034100	HAND WHEEL & ADJ PIN
11	120/990162	TERMINAL COMPLETE
13	331/02101020	SUPPORT,M8
15	331/14130350	MAINS CABLE
16	331/02102115	CABLE, LOCK
17	331/01902010	LAMP
18	331/190152A	AXLE, LATER TYPE, ID9mm/OD12mm

*	120/122256	THERMOSTAT
*	331/03401005	HANDLE
*	MIG/SEH/1	DE-LUX ELECTRODE HOLDER
*	MIG/EW11R	WELDING LENS EW11, ROBUST BS679R, CE APP
*	LS/16	LEAD (SINGLE) 16mm 3m c/w EYES

* = Not illustrated

260XTD

Item	Part No	Description
01	331/00704175	SWITCH
02	331/01202130	THERMAL PROTECTION
03	331/10051060	ATTACHMENT CLAMP
04	331/17060910	TRANSFORMER
05	331/1022600N	CASE
06	331/02301060	MOTOR FAN
07	331/02302154	BLADE,FAN
08	331/02201150	WHEEL 150mm dia
01	331/02104017	CAP,WHEEL
10	331/10070010	SHUNT
11	331/02105010	INSULATOR
12	331/03404040	CONNECTIONS
13	331/02101020	SUPPORT,M8
14	331/10034100	HAND WHEEL,M8
15	331/14130350	MAIN SUPPLY CABLE
16	331/02102120	CABLE LOCK
17	331/01902010	LAMP
18	331/10041420	AXLE FOR REAR WHEELS