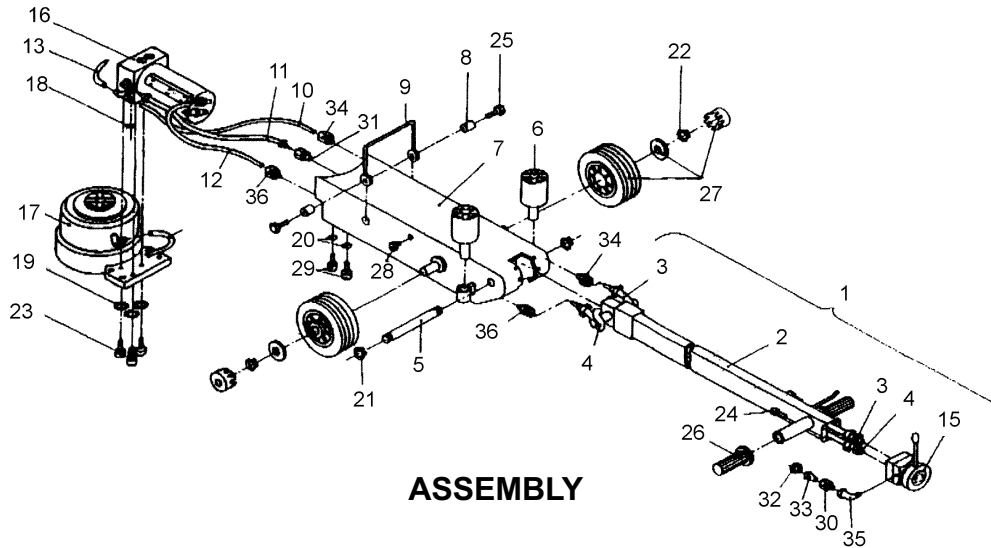
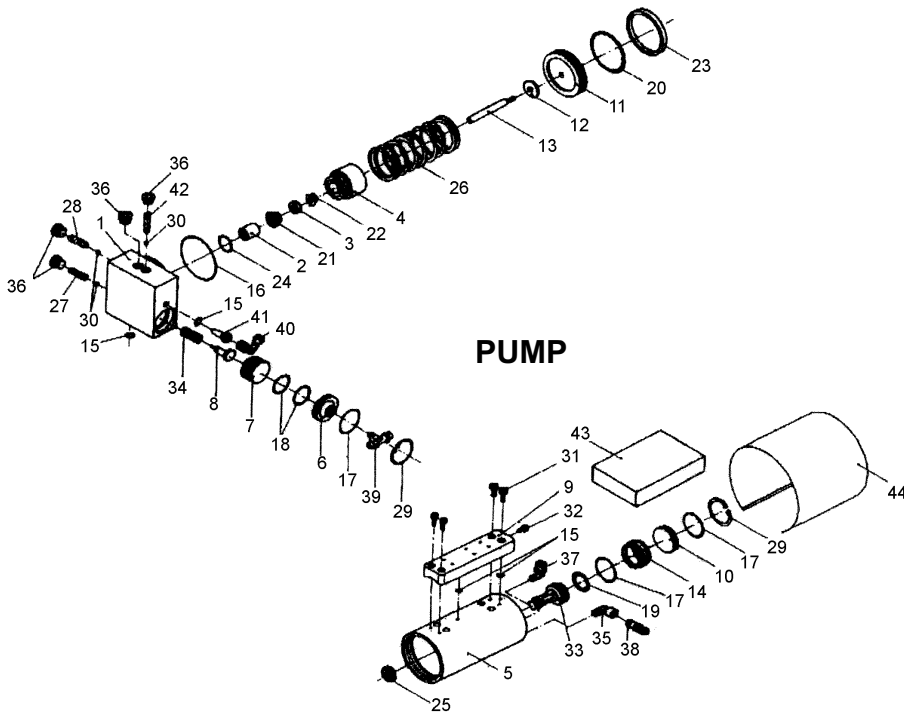


Note that part numbers apply to both models unless otherwise specified in the description.



ASSEMBLY

Original Date: 260201
Version No: 1
Date Modified: 1st issue



PUMP

Assembly Parts List

Item	Part No.	Description
1	100/4400100	Handle, Complete
2	100/4400200	Handle
3	100/4400300	Hose c/w 6mm Connector
4	100/4400400	Hose c/w 8mm Connector
5	100/4400500	Axle, Handle
6	100/4400600	Extension
7	100/4440700	Frame - 25.10
7	100/4460700	Frame - 25.25
8	100/4400800	Bushing
9	100/4400900	Carrying Handle
10	100/4401000	Hose, 6mm
11	100/4421100	Oil Hose, 14mm
12	100/4401200	Hose, 8mm
13	100/4401300	Hose, 6mm - 25.10
13	100/4461300	Hose, 6mm - 25.25
15	100/4200000	Control Valve
16	100/9072500	Pump, Complete
17	100/9074500	Cylinder, Complete - 25.10
17	100/9075000	Cylinder, Complete - 25.25
18	100/0100000	O-ring
19	100/0210200	Spring Washer
20	100/0210300	Spring Washer
21	100/0220400	Circlip
22	100/0222200	Circlip
23	100/0230600	Screw
24	100/0232400	Screw
25	100/0252000	Screw
26	100/0239000	Handle
27	100/0251800	Wheel, 150mm dia. - 25.10
27	100/0236700	Wheel, 180mm dia. - 25.25
28	100/0247000	Filler Plug
29	100/0248500	Screw
30	100/0249400	Gland
31	100/0249800	Gland
32	100/0250600	Gland
33	100/0251100	Filter
34	100/0251200	Quick Fitting
35	100/0251500	Elbow
36	100/0251600	Quick Fitting

Pump Parts List

Item	Part No.	Description
-	100/9072500	Pump, Complete
1	100/9072600	Pump Body
2	100/9070400	Distance Sleeve
3	100/9070500	Plunger Guide
4	100/9070700	Packing Nut
5	100/9070900	Air Cylinder
6	100/9025300	Release Cover
7	100/9025400	Release Piston
8	100/9025500	Release Pin
9	100/9026400	Exhaust Cap
10	100/9025700	Cover, Change Valve
11	100/9025800	Air Piston
12	100/9025900	Washer
13	100/9026000	Plunger
14	100/9026500	Cylinder, Change Valve
15	100/0100000	O-ring*

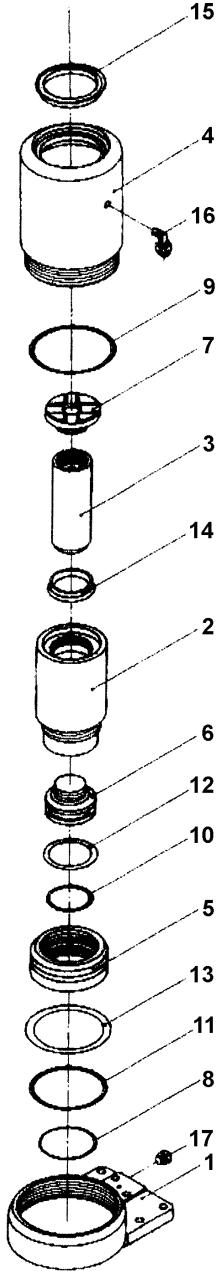
Pump Parts List Continued

Item	Part No.	Description
16	100/0100700	O-ring*
17	100/0103400	O-ring*
18	100/0104400	O-ring*
19	100/0104500	O-ring*
20	100/0104600	O-ring*
21	100/0111400	Seal*
22	100/0112600	Seal*
23	100/0117500	Seal, Glydring*
24	100/0124500	Bondy-seal*
25	100/0116000	Seal, Change Valve*
26	100/0204700	Spring
27	100/0204800	Spring
28	100/0206700	Spring
29	100/0222000	Circlip
30	100/0229200	Ball, 6.5mm dia.*
31	100/0234600	Screw

Pump Parts List Continued

Item	Part No.	Description
32	100/0230700	Screw
33	100/0238500	Change Valve
34	100/0204600	Spring
35	100/0242500	Gland
36	100/0248300	Plug
37	100/0249500	Gland
38	100/0250300	Safety Valve
39	100/0250500	T-gland
40	100/0251000	Gland
41	100/0251100	Filter*
42	100/0206800	Spring
43	100/4401500	Sound Absorbing Mat'l
44	100/9081400	Sound Hood
*	100/0903200	Repair Kit (Items marked *)

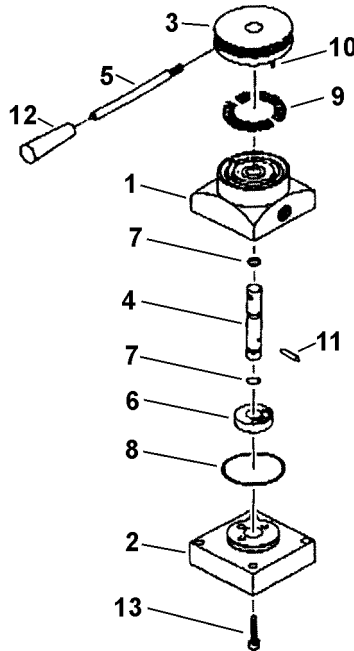
25.10 CYLINDER



25.10 Cylinder Parts List

Item	Part No.	Description
-	100/9074500	Cylinder Complete - 25/10
1	100/9074600	Cylinder Bottom - 25.10
2	100/9074700	Middle Cylinder
3	100/9074800	Piston Rod
4	100/9074900	Main Cylinder
5	100/9073300	Piston
6	100/9073400	Piston
7	100/9073700	Saddle
8	100/0103100	O-ring*
9	100/0105500	O-ring*
10	100/0108000	O-ring*
11	100/0108100	O-ring*
12	100/0115200	Back-up Ring*
13	100/0115300	Back-up Ring*
14	100/0128200	Scraper Ring*
15	100/0128700	Scraper Ring*
16	100/0249300	Gland
17	100/0258400	Plug
*	100/0903300	Repair Kit (Items marked *)

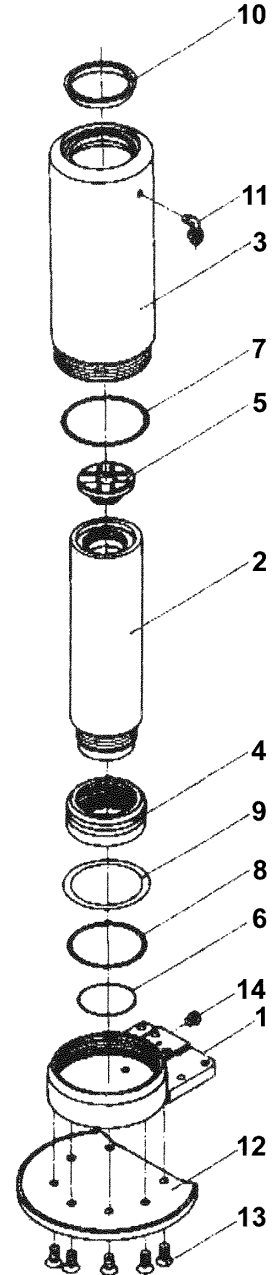
**CONTROL VALVE
(Both Models)**



Control Valve Parts List

Item	Part No.	Description
-	100/4200000	Valve, Complete
1	100/4200100	Valve, Upper Part
2	100/4200200	Valve, Lower Part
3	100/4200300	Twist Grip
4	100/4200400	Valve Stem
5	100/4200500	Rod, Handle
6	100/4200600	Slide Valve
7	100/0105700	O-ring
8	100/0105800	O-ring
9	100/0206400	Spring
10	100/0227600	Pin, 4mm dia.
11	100/0227700	Pin, 3mm dia.
12	100/0208600	Handle, Plastic
13	100/0230200	Screw

25.25 CYLINDER



25.25 Cylinder Parts List

Item	Part No.	Description
-	100/9075000	Cylinder Complete
1	100/9075100	Cylinder Bottom
2	100/9075200	Piston Rod
3	100/9075300	Main Cylinder
4	100/9073300	Piston
5	100/9073700	Saddle
6	100/0103100	O-ring*
7	100/0105500	O-ring*
8	100/0108100	O-ring*
9	100/0115300	Back-up Ring*
10	100/0128700	Scraper Ring*
11	100/0249300	Gland
12	100/9075400	Cylinder Base
13	100/0231200	Screw
17	100/0258400	Plug
*	100/0903300	Repair Kit (Items marked *)

Original Date: 260201
Version No: 1
Date Modified: 1st issue