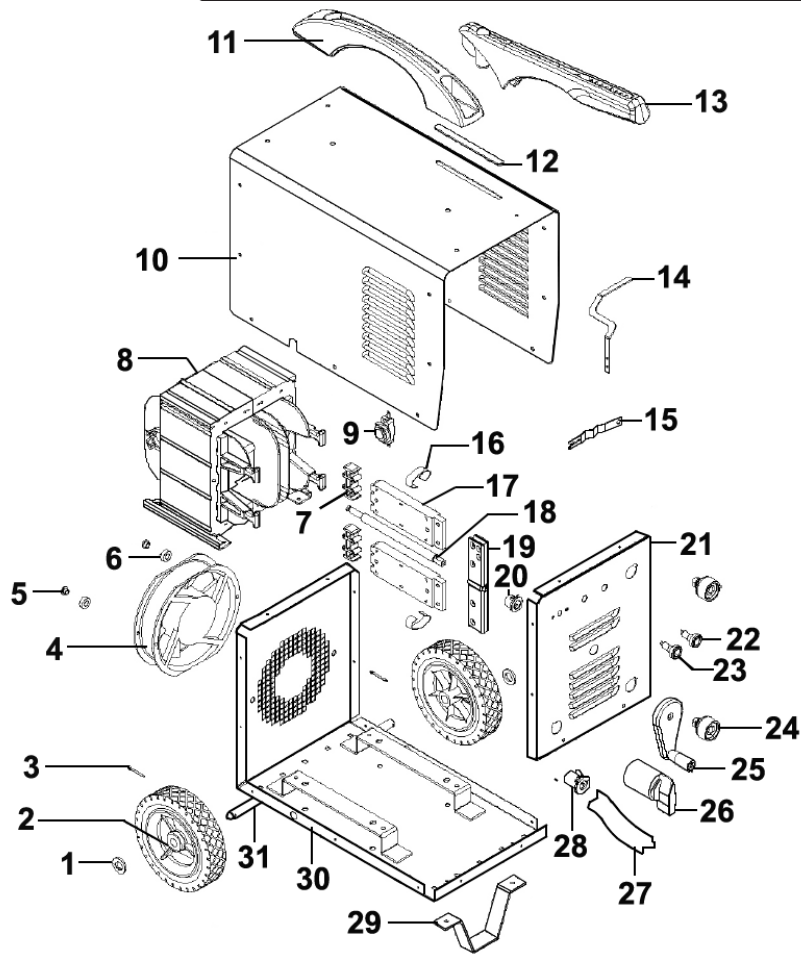


Parts Information:
**Arc Welder 250Amp 230/415V 3ph with
 Accessory Kit
 Model No: 250XTD**



| Item | Part No. | Description |
|------|------------|-----------------------|
| 1 | 250XTD.01 | Washer |
| 2 | SMIG230.32 | Wheel, Fixed, Plastic |
| 3 | 250XTD.03 | Cotter Pin 2.4 X 25 |
| 4 | 250XTD.04 | Fan |
| 5 | 250XTD.05 | Nylon Bush |
| 6 | 250XTD.06 | Nylon Cover |
| 7 | 250XTD.07 | Shunt Support |
| 8 | 250XTD.08 | Transformer |
| 9 | 250XTD.09 | Thermal Relay |
| 10 | 250XTD.10 | Top Cover |
| 11 | 250XTD.11 | Handle |
| 12 | 250XTD.12 | Transparent Plate |
| 13 | 250XTD.13 | Handle Extension |
| 14 | 250XTD.14 | Indicator |
| 15 | 250XTD.15 | Lead Screw Spring |
| 16 | 250XTD.16 | Spring Clip |
| 17 | 250XTD.17 | Shunt |
| 18 | 250XTD.18 | Lead Screw |

| Item | Part No. | Description |
|------|-------------|--|
| 19 | 250XTD.19 | Shunt Support Upright |
| 20 | 250XTD.20 | Lead Screw Cover |
| 21 | 250XTD.21 | Front Panel |
| 22 | 250XTD.22 | Indicator Light (Yellow) |
| 23 | 250XTD.23 | Indicator Light (Green) |
| 24 | 250XTD.24 | Dinse Socket |
| 25 | 250XTD.25 | Crank |
| 26 | 250XTD.26 | Switch, Rotary C/W Knob |
| 27 | MC4CX2.5 | Mains Cable Blk, 4 Core, 2.5mm ² |
| 28 | 250XTD.28 | Cable Holder |
| 29 | 250XTD.29 | Foot |
| 30 | 250XTD.30 | Bottom Case |
| 31 | 250XTD.31 | Wheel Axle: Solid, R-Clip Fittings |
| -- | 250XTD.ACC1 | Electrode Holder (Not Shown) |
| -- | 250XTD.ACC2 | Earth Clamp (Not Shown) |
| -- | 250XTD.ACC3 | Electrode Holder With Cable (Not Shown) |
| -- | 250XTD.ACC4 | Earth Clamp With Cable (l:3.8m d:14mm) (Not Shown) |

NOTE: It is our policy to continually improve products and as such we reserve the right to alter data, specifications and component parts without prior notice. There may be alternative versions of this product, please contact us should you require this information.

IMPORTANT: No liability is accepted for incorrect use of product. Spare parts must be fitted by a competent person

WARRANTY: Guarantee is 12 months from purchase date, proof of which will be required for any claim.