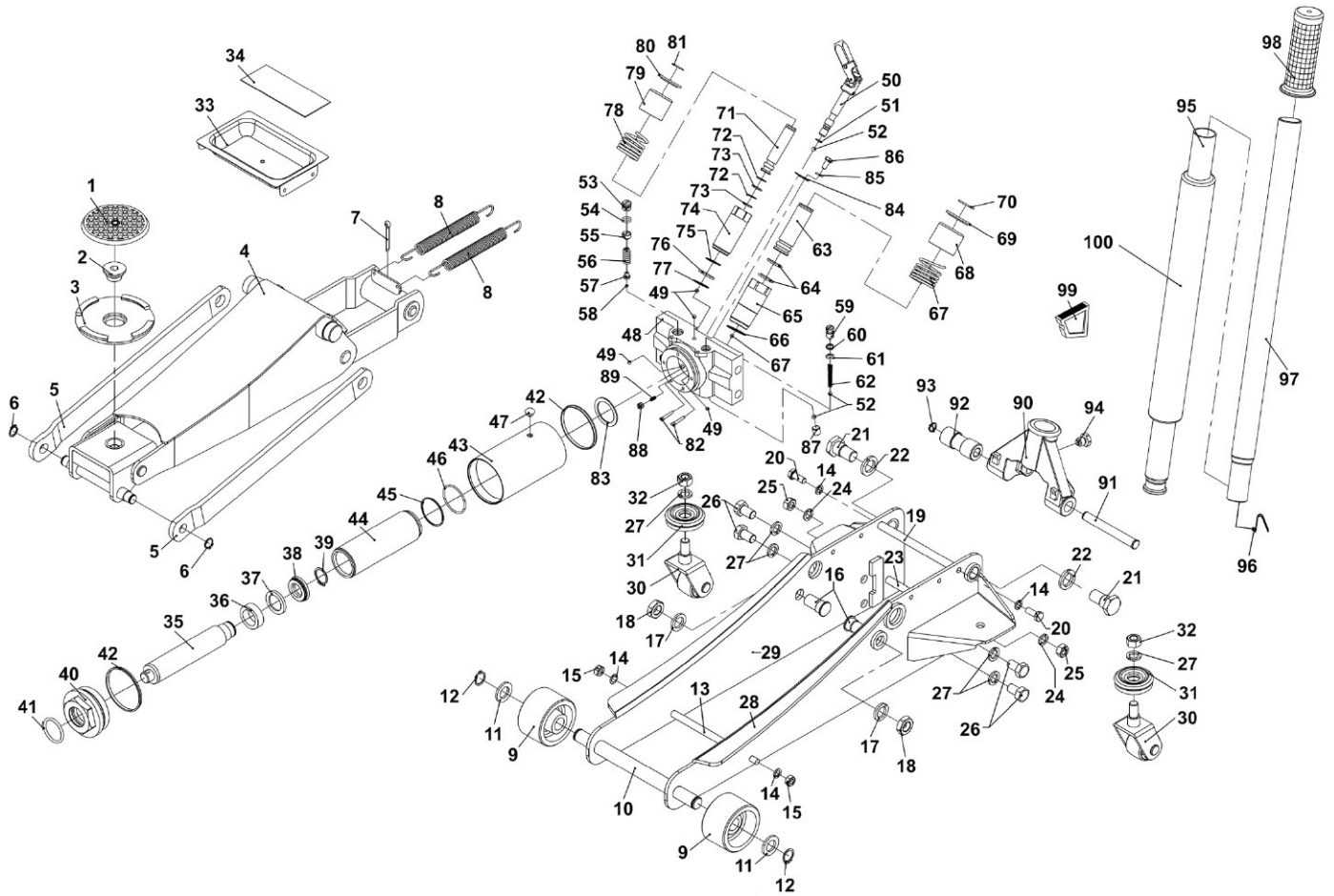




Parts Information:
**Trolley Jack 2.5 Tonne Low Profile with
 Rocket Lift**
Model No: 2501LE



| Item | Part No. | Description | Qty |
|------|-------------|--|-----|
| 1 | 2500LEV3-01 | Saddle Pad | 1 |
| 2 | 2500LEV3-02 | Saddle Bolt | 1 |
| 3 | 2500LEV3-03 | Saddle, White Serrated (F), Stepped Ø 110mm | 1 |
| 4 | 2500LEV3-04 | Lift Arm Assembly | 1 |
| 5 | 2500LEV3-05 | Radius Link | 2 |
| 6 | 2500LEV3-06 | External Circlip 6.0mm ID. | 2 |
| 7 | 2500LEV3-07 | Cotter Pn | 1 |
| 8 | 2500LEV3-08 | Return Spring Dia 16mm | 2 |
| 9 | 2501LE.09 | Wheel, Front Fixed (D: 72 W: 45 B: 18) | 2 |
| 10 | 2500LEV3-10 | Front Axle | 1 |
| 11 | FWM18.S | Flat Washer M18 Zinc | 2 |
| 12 | 2500LEV3-12 | Retaining Ring 18mm | 2 |
| 13 | 2500LEV3-13 | Frame Tie Rod | 1 |
| 14 | SWM8.S | Spring Washer M8 Zinc | 4 |
| 15 | SN8.S | Steel Nut M8 Zinc | 2 |
| 16 | 2500LEV3-16 | Radius Link Stud | 2 |
| 17 | SWM16.S | Spring Washer M16 Zinc | 2 |

| Item | Part No. | Description | Qty |
|------|-------------|---|-----|
| 18 | NLN16.S | Nyloc Nut M16 Zinc | 2 |
| 19 | 2500LEV3-19 | Frame Tie Rod | 1 |
| 20 | SS820.S | Hex Head Set Screw M8 X 20 Zinc | 2 |
| 21 | 2500LEV3-21 | Handle Sleeve Bolt | 2 |
| 22 | SWM18.S | Spring Washer M18 Zinc | 2 |
| 23 | 2500LEV3-23 | Frame Tie Rod | 1 |
| 24 | SWM10.S | Spring Washer M10 Zinc | 2 |
| 25 | NLN10.S | Nyloc Nut M10 Zinc | 2 |
| 26 | SS1220.S | Hex Head Set Screw M12 X 20 Zinc | 4 |
| 27 | SWM12.S | Spring Washer M12 Zinc | 6 |
| 28 | 2500LEV3-28 | Frame, Left Side | 1 |
| 29 | 2500LEV3-29 | Frame, Right Side | 1 |
| 30 | 2501LE.30 | Wheel Swivel Castor (D: 44 W: 28 B: 10 H: 100) | 2 |
| 31 | 4040A.27 | Bearing Race Assembly | 2 |
| 32 | SN12.S | Steel Nut M12 Zinc | 2 |
| 33 | 2500LEV3-33 | Tool Tray | 1 |

NOTE: It is our policy to continually improve products and as such we reserve the right to alter data, specifications and component parts without prior notice. There may be alternative versions of this product, please contact us should you require this information.

IMPORTANT: No liability is accepted for incorrect use of product. Spare parts must be fitted by a competent person

WARRANTY: Guarantee is 12 months from purchase date, proof of which will be required for any claim.

Sealey Group, Kempson Way, Suffolk Business Park, Bury St Edmunds, Suffolk. IP32 7AR



01284 757500



sales@sealey.co.uk



www.sealey.co.uk



Parts Information:
**Trolley Jack 2.5 Tonne Low Profile with
 Rocket Lift**
Model No: 2501LE

| Item | Part No. | Description | Qty |
|------|---------------|--|-----|
| 34 | 2500LE.V3-34 | Rubber Pad (Magnetic) | 1 |
| 35 | 2500LE.V3-35 | Ram Plunger | 1 |
| 36 | 2500LE.V3-36 | Bushing Cover | 1 |
| 37 | 2500LE.V3-37 | Back-up Washer | 1 |
| 38 | 2500LE.V3-38 | U-Cup Seal | 1 |
| 39 | 2500LE.V3-39 | External Circlip 20.5mm ID. | 1 |
| 40 | 2500LE.V3-40 | Top Nut | 1 |
| 41 | RE91/10.07 | O-Ring, (Ex: 36.81 In: 29.75 Cs: 3.53) | 1 |
| 42 | 2500LE.V3-42 | Wedge Ring | 2 |
| 43 | 2500LE.V3-43 | Reservoir | 1 |
| 44 | 2500LE.V3-44 | Cylinder | 1 |
| 45 | 2500LE.V3-45 | Back-up Washer | 1 |
| 46 | AK453X.V3-P49 | O-Ring, (Ex: 46.18 In: 40.94 Cs: 2.62) | 1 |
| 47 | 2500LE.V3-47 | Oil Filler Plug | 1 |
| 48 | 2500LE.V3-48 | Base | 1 |
| 49 | SB-5.0 | Steel Ball 5.0mm | 5 |
| 50 | 2500LE.V3-50 | Release Valve Assembly | 1 |
| 51 | GSA08.09-4 | O-Ring, (Ex: 11.21 In: 7.65 Cs: 1.78) | 1 |
| 52 | SB-6.0 | Steel Ball 6.0mm | 3 |
| 53 | 2500LE.V3-53 | Guard Screw | 1 |
| 54 | 2500LE.V3-54 | O-Ring, (Ex: 12.80 In: 8.08 Cs: 2.36) | 1 |
| 55 | 2500LE.V3-55 | Safety Valve Screw | 1 |
| 56 | 2500LE.V3-56 | Safety Valve Spring Dia 10.2mm | 1 |
| 57 | 2500LE.V3-57 | Ball Seat Valve | 1 |
| 58 | SB-4.0 | Steel Ball 4.0mm | 1 |
| 59 | 2500LE.V3-59 | Valve Screw (M10 x 1-16) | 1 |
| 60 | 2500LE.V3-60 | Back-up Washer | 1 |
| 61 | GSA08.09-4 | O-Ring, (Ex: 11.21 In: 7.65 Cs: 1.78) | 1 |
| 62 | 2500LE.V3-62 | Taper Spring Dia 8.4mm | 1 |
| 63 | 2500LE.V3-63 | Pump Piston (B) | 1 |
| 64 | SA29.V3-41 | O-Ring, (Ex: 22.36 In: 17.12 Cs: 2.62) | 1 |
| 65 | 2500LE.V3-65 | Pump (B) | 1 |
| 66 | 2500LE.V3-66 | Copper Washer (28 x14 x 0.7) | 1 |
| 67 | 2500LE.V3-67 | Pump Core Spring (B) Dia 37.4mm | 1 |
| 68 | 2500LE.V3-68 | Spring Sleeve (B) | 1 |

| Item | Part No. | Description | Qty |
|------|---------------|--|-----|
| 69 | 2500LE.V3-69 | Spring Stop Plate (B) | 1 |
| 70 | 2500LE.V3-70 | Spring Stop Plate Ring (B) | 1 |
| 71 | 2500LE.V3-71 | Pump Piston (A) | 1 |
| 72 | 2500LE.V3-72 | Back-up Washer (for Pump 'A') | 2 |
| 73 | SA695.13 | O-Ring, (Ex: 16.01 In: 10.77 Cs: 2.62) | 1 |
| 74 | 2500LE.V3-74 | Pump 'A' | 1 |
| 75 | 2500LE.V3-75 | Back-Up Washer | 1 |
| 76 | 2500LE.V3-76 | O-Ring, (Ex: 26.24 In: 21.44 Cs: 2.40) | 1 |
| 77 | 2500LE.V3-77 | Copper Washer (Ø25 x Ø10 x t0.7) | 1 |
| 78 | 2500LE.V3-78 | Pump Core Spring (A) Dia 33.5 | 1 |
| 79 | 2500LE.V3-79 | Spring Sleeve (A) | 1 |
| 80 | 2500LE.V3-80 | Spring Stop Plate (A) | 1 |
| 81 | 2500LE.V3-81 | Spring Stop Plate Ring (A) | 1 |
| 82 | 2500LE.V3-82 | Filter | 2 |
| 83 | 2500LE.V3-83 | Flat Washer (Ø43 x Ø27 x 1.5) | 1 |
| 84 | 2500LE.V3-84 | Flat Washer (26 x 17 x t3) | 1 |
| 85 | SWM6.S | Spring Washer M6 Zinc | 1 |
| 86 | SS612.S | Hex Head Set Screw M6 X 12 Zinc | 1 |
| 87 | 2500LE.V3-87 | Screw Cap | 1 |
| 88 | 2500LE.V3-88 | Throttle Valve | 1 |
| 89 | 2500LE.V3-89 | Spring | 1 |
| 90 | SQ0234 | Handle Socket | 1 |
| 91 | 2500LE.V3-91 | Handle Socket Pin | 1 |
| 92 | 2500LE.V3-92 | Handle Socket Roller | 1 |
| 93 | 2500LE.V3-93 | External Circlip 12.0mm ID. | 1 |
| 94 | 4040A.87N | Handle Socket Bolt | 1 |
| 95 | 2500LE.V3-95 | Lower Handle | 1 |
| 96 | SS635.S | Hex Head Set Screw M6 X 35 Zinc | 1 |
| 97 | 2500LE.V3-97 | Upper Handle | 1 |
| 98 | 2500LE.V3-98 | Handle Grip | 1 |
| 99 | 2500LE.V3-99 | Handle Locking Block | 1 |
| 100 | 2500LE.V3-100 | Handle Sleeve | 1 |
| -- | 2500LE.V3-HU | Hydraulic Unit for 2500LE.V3 (Not Shown) | 1 |
| -- | 2500LE.V3-RK | Repair Kit (Not Shown) | 1 |

NOTE: It is our policy to continually improve products and as such we reserve the right to alter data, specifications and component parts without prior notice. There may be alternative versions of this product, please contact us should you require this information.

IMPORTANT: No liability is accepted for incorrect use of product. Spare parts must be fitted by a competent person

WARRANTY: Guarantee is 12 months from purchase date, proof of which will be required for any claim.

Sealey Group, Kempson Way, Suffolk Business Park, Bury St Edmunds, Suffolk. IP32 7AR



01284 757500



sales@sealey.co.uk



www.sealey.co.uk