

Item	Part No.	Description
1	2500LE.01	LIFTING ARM ASS'Y
--	2500LE.V2-01A	SIDE SUPPORT
2	2500LE.02	HANDLE ASSEMBLY
3	2500LE.V2-03	HANDLE SOCKET (BLACK)
4	2500LE.04	HANDLE SOCKET SCREW
5	2500LE.05	HANDLE SOCKET PIN
6	2500LE.06	FRAME ASSEMBLY
7	SWM12.SB	SPRING WASHER M12 BLACK(SINGLE)
8	SN12.S	STEEL NUT M12 ZINC DIN934(SINGLE)
9	2500LE.09	SCREW M12x25
10	2500LE.V2-10	CASTOR ASS'Y, 60mm DIA (BLACK)
11	2500LE.11	SUPPORTING SHAFT
12	2500LE.V2-12	HYDRAULIC UNIT ASSEMBLY (BLACK)
13	2500LE.13	TORSION SPRING
14	2500LE.14	BOLT, RIGHT M18X30

Item	Part No.	Description
15	SWM16.SB	SPRING WASHER M16 BLACK(SINGLE)
16	2500LE.16	THIN SEAL
17	2500LE.17	BOLT, LEFT M18X58
18	2500LE.18	SUPPORTING SHAFT
19	2500LE.19	RETAINING RING 25mm
20	2050CX.V2-21	LINKING BOLT
21	2500LE.21	SEAL FOR LINKING BOLT
22	SWM16.SB	SPRING WASHER M16 BLACK(SINGLE)
23	2500LE.23	M16 HALF HEX NUT BZP
24	2500LE.24	SADDLE ASSEMBLY
25	2500LE.25	RETAINING RING 19
26	2500LE.V2-26	WHEEL,FRONT FIXED (62x19x43) (BLACK)
27	GNM19S	GREASE NIPPLE STR 6 x 1.00mm SINGLE
28	2500LE.28	RETAINING RING 30mm

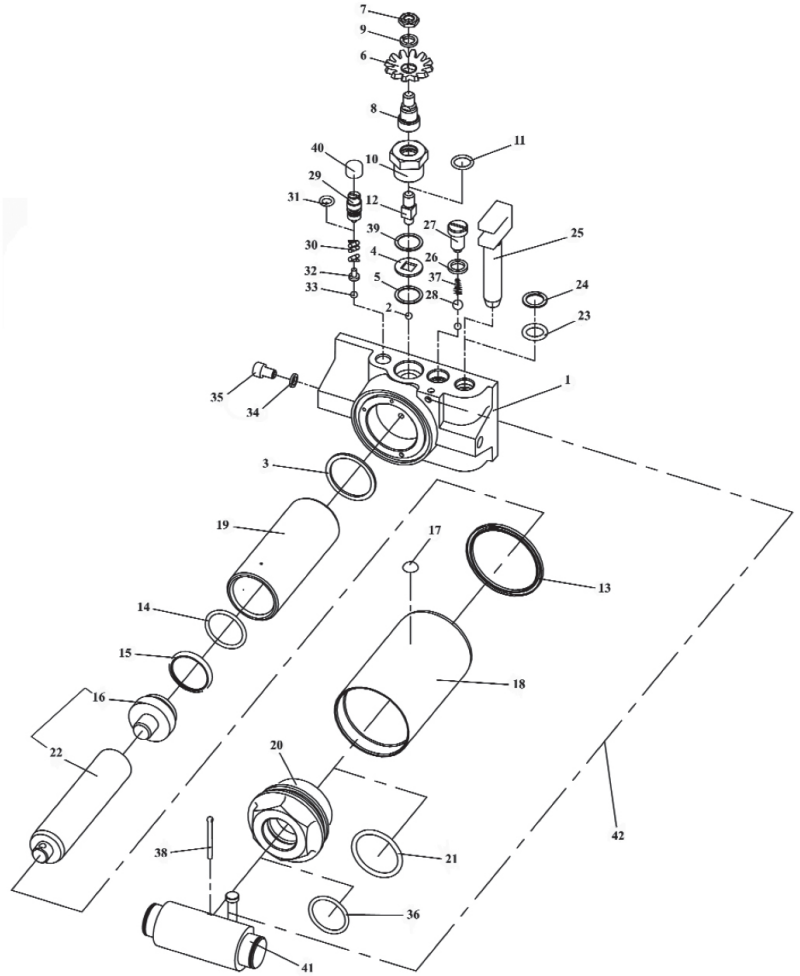
**NOTE:** It is our policy to continually improve products and as such we reserve the right to alter data, specifications and component parts without prior notice.

**IMPORTANT:** No liability is accepted for incorrect use of product.

**WARRANTY:** Guarantee is 12 months from purchase date, proof of which will be required for any claim.

Item	Part No.	Description
1	2500LE.P01	BASE PLATE
2	RJA1500.01-02	STEEL BALL 15/64"
3	2500LE.P03	RETAINING RING
4	2500LE.P04	DRAW WASHER SQ HOLE
5	2500LE.P05	ALUMINIUM WASHER
6	2500LE.P06	GEAR
7	2500LE.P07	M10 HALF FULL HEX NUT BZP
8	2500LE.P08	RELEASE VALVE LINKING SHAFT
9	SWM18.SB	SPRING WASHER M18 BLACK (SINGLE)
10	2500LE.P10	RELEASE VALVE NUT ASS'Y
11	2500LE.P11	O-RING 15x2.65
12	2500LE.P12	RELEASE VALVE CORE
13	2500LE.P13	O-RING
14	2500LE.P14	O-RING 34.5x3.55
15	2500LE.P15	PLASTIC BOWL WASHER BLUE
17	3003CXQ-05	OIL PLUG
18	2500LE.P18	RESERVOIR
19	2500LE.P19	CYLINDER
20	2500LE.P20	CAP
21	2500LE.P21	O-RING 33.5x3.55
22	2500LE.P22	PISTON ROD (INCLUDES PART 16)
23	2500LE.P23	O-RING 15.7x3.7
24	2500LE.P24	RETAINING RING
25	2500LE.P25	PISTON
26	2500LE.P26	OIL FILLING RECTANGLE RING
27	3003CXQ-05	OIL PLUG
28	SB-9.0	STEEL BALL 9.0mm
29	2500LE.P29	OVERLOAD VALVE NUT
30	2500LE.P30	SAFETY VALVE SPRING
31	2500LE.P31	O-RING 8.5x2.65
32	2500LE.P32	SPRING PLUNGER
33	SB-2.9	STEEL BALL 2.9mm
34	2500LE.P34	RETAINING RING
35	SCB812.SB	SOCKET HEAD CAP SCREW M8x12 BLACK
36	2500LE.P36	O-RING 65x3.55
37	2500LE.P37	TAPER SPRING
38	2500LE.P38	COTTER PIN
39	2500LE.P39	STEEL WASHER
40	2500LE.P40	SAFETY VALVE
41	2500LE.P41	LINKING BLOCK
42	2500LE.P42	RETURNING SPRING

## HYDRAULIC UNIT ASSEMBLY



**NOTE:** It is our policy to continually improve products and as such we reserve the right to alter data, specifications and component parts without prior notice.

**IMPORTANT:** No liability is accepted for incorrect use of product.

**WARRANTY:** Guarantee is 12 months from purchase date, proof of which will be required for any claim.