

Item	Part No.	Description
1	2500LE.01	Lifting Arm Ass'y
2	2500LE.02	Handle Assembly
3	2500LEV2-03	Handle Socket (Black)
4	2500LE.04	Handle Socket Screw
5	2500LE.05	Handle Socket Pin
6	2500LE.06	Frame Assembly
7	SWM12.SB	Spring Washer M12 Black
8	SN12.S	Steel Nut M12 Zinc
9	SCB1225.SB	Socket Cap Bolt M12 x 25mm Black
10	3290CX.10	Castor Ass'y, 60mm Dia (black)
11	2500LE.11	Supporting Shaft
12	2500LEV2-12	Hydraulic Unit Assembly (Black)
13	2500LE.13	Torsion Spring Dia 25.3mm
14	2500LE.14	Bolt, Right M18x30
15	SWM16.SB	Spring Washer M16 Black
16	2500LE.16	Thin Seal

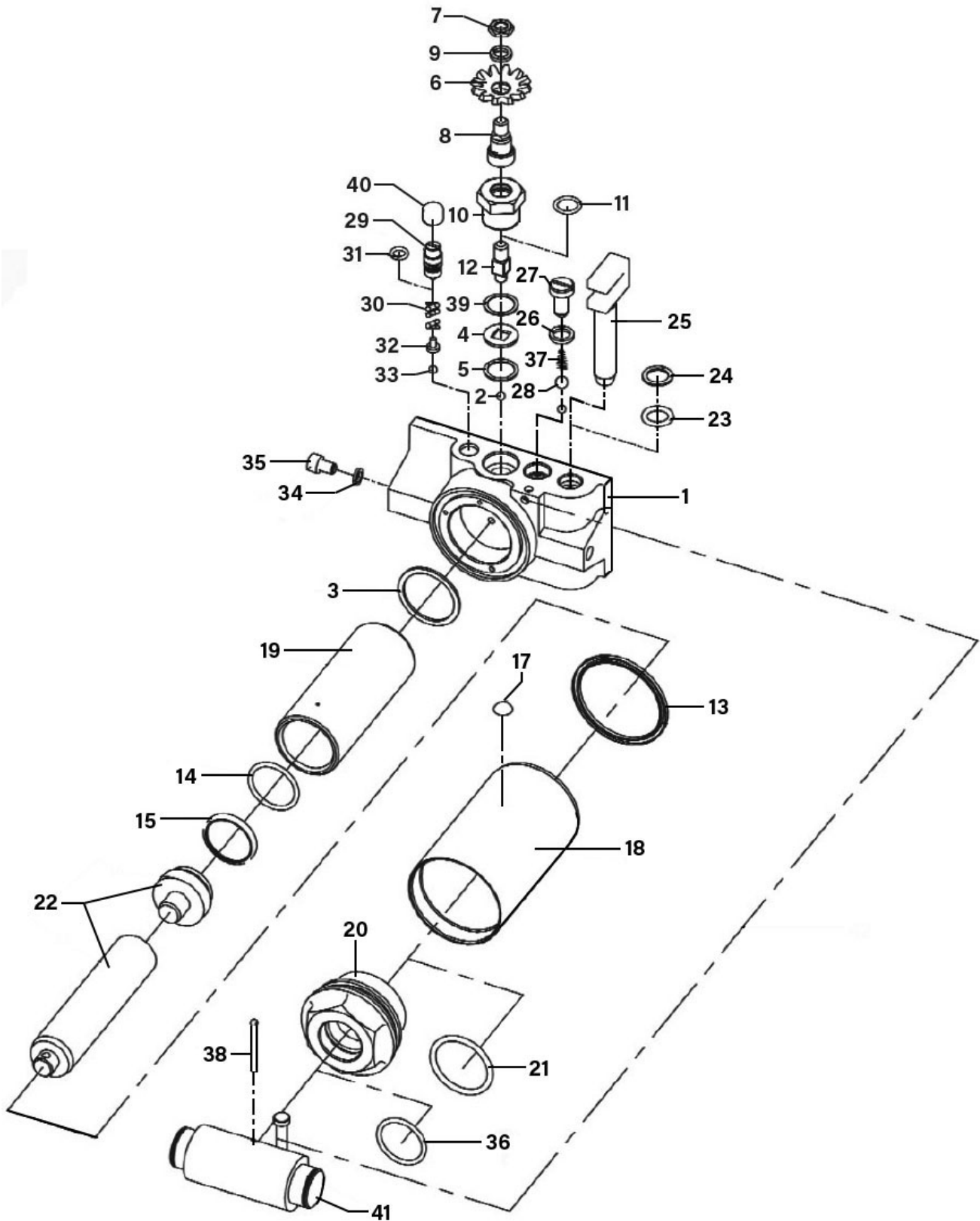
Item	Part No.	Description
17	2500LE.17	Bolt, Left M18x58
18	2500LE.18	Supporting Shaft
19	2500LE.19	External Circlip 22.8mm ID
20	2050CX.V2-21	Linking Bolt
21	2500LE.21	Seal For Linking Bolt
22	SWM16.SB	Spring Washer M16 Black
23	3290CX.21	Half Nut M16 bzp
24	2500LE.24	Saddle, White Serrated (M) 18mm Fork Fitting Ø 110mm (Shaft )
25	1153CX.V4-15	External Circlip 20.3mm ID.
26	2500LE.V2-26	Wheel, Front Fixed (62x19x43) (Black)
27	GNM19S	Grease Nipple Str 6 x 1.00mm Single
28	2500LE.28	External Circlip 27.8mm ID
--	2500LE/JP	Rubber Safety Jack Pad For 2500LE (Not Shown)
--	2500LEV2-01A	Side Support (Not Shown)

**NOTE:** It is our policy to continually improve products and as such we reserve the right to alter data, specifications and component parts without prior notice. There may be alternative versions of this product, please contact us should you require this information.

**IMPORTANT:** No liability is accepted for incorrect use of product. Spare parts must be fitted by a competent person

**WARRANTY:** Guarantee is 12 months from purchase date, proof of which will be required for any claim.

## HYDRAULIC UNIT ASSEMBLY



**NOTE:** It is our policy to continually improve products and as such we reserve the right to alter data, specifications and component parts without prior notice. There may be alternative versions of this product, please contact us should you require this information.

**IMPORTANT:** No liability is accepted for incorrect use of product. Spare parts must be fitted by a competent person

**WARRANTY:** Guarantee is 12 months from purchase date, proof of which will be required for any claim.



Parts Information:  
**Trolley Jack 2.5tonne Low Entry**  
**Model No: 2500LEV2**

Item	Part No.	Description
1	2500LE.P01	Base Plate
2	SB-6.0	Steel Balll 6mm
3	2500LE.P03	Retaining Ring
4	2500LE.P04	Draw Washer Sq Hole
5	2500LE.P05	Aluminium Washer
6	2500LE.P06	Gear
7	2500LE.P07	M10 Half Nut BZP
8	2500LE.P08	Release Valve Linking Shaft
9	SWM18.SB	Spring Washer M18 Black
10	2500LE.P10	Release Valve Nut Ass'y
11	10QJV3.2-29	O-Ring, (Ex: 20.78 In: 15.54 Cs: 2.62)
12	2500LE.P12	Release Valve Core
13	SA682.V2-41	O-Ring, (Ex: 76.50 In: 69.44 Cs: 3.53)
14	2500LE.P14	Plastic Ring
15	2500LE.P15	Plastic Bowl Washer Blue
17	3003CXQ-05	Oil Filler Plug
18	2500LE.P18	Reservoir
19	2500LE.P19	Cylinder
20	2500LE.P20	Cap
21	RE91-05.07	O-Ring, (Ex: 39.98 In: 32.92 Cs: 3.53)
22	2500LE.P22	Piston Rod

Item	Part No.	Description
23	2500LE.P23	O-Ring, (Ex: 23.59 In: 15.79 Cs: 3.90)
24	2500LE.P24	Retaining Ring
25	2500LE.P25	Piston
26	2500LE.P26	Oil Filling Rectangle Ring
27	2500LE.P27	Oil Filler Plug (Steel, Screw-In)
28	SB-9.0	Steel Ball 9mm
29	2500LE.P29	Overload valve nut
30	2500LE.P30	Safety Valve Spring Dia 9.48mm
31	WK025.V2-31	O-ring, (Ex: 14.43 In: 9.19 Cs: 2.62)
32	2500LE.P32	Spring Plunger
33	SB-2.9	Steel Ball 2.9mm
34	2500LE.P34	Retaining Ring
35	2500LE.P35	M8x12 Socket Cap 8.8
36	SA682.V2-41	O-Ring, (Ex: 76.50 In: 69.44 Cs: 3.53)
37	2500LE.P37	Conical Spring
38	2500LE.P38	Cotter Pin
39	2500LE.P39	Steel Washer
40	2500LE.P40	Safety Valve
41	2500LE.P41	Linking Block
--	2500LE.P42	Return Spring 17.3mm Dia (Not Shown)

**NOTE:** It is our policy to continually improve products and as such we reserve the right to alter data, specifications and component parts without prior notice. There may be alternative versions of this product, please contact us should you require this information.

**IMPORTANT:** No liability is accepted for incorrect use of product. Spare parts must be fitted by a competent person

**WARRANTY:** Guarantee is 12 months from purchase date, proof of which will be required for any claim.

**Sealey Group**, Kempson Way, Suffolk Business Park, Bury St Edmunds, Suffolk. IP32 7AR



01284 757500



sales@sealey.co.uk



www.sealey.co.uk