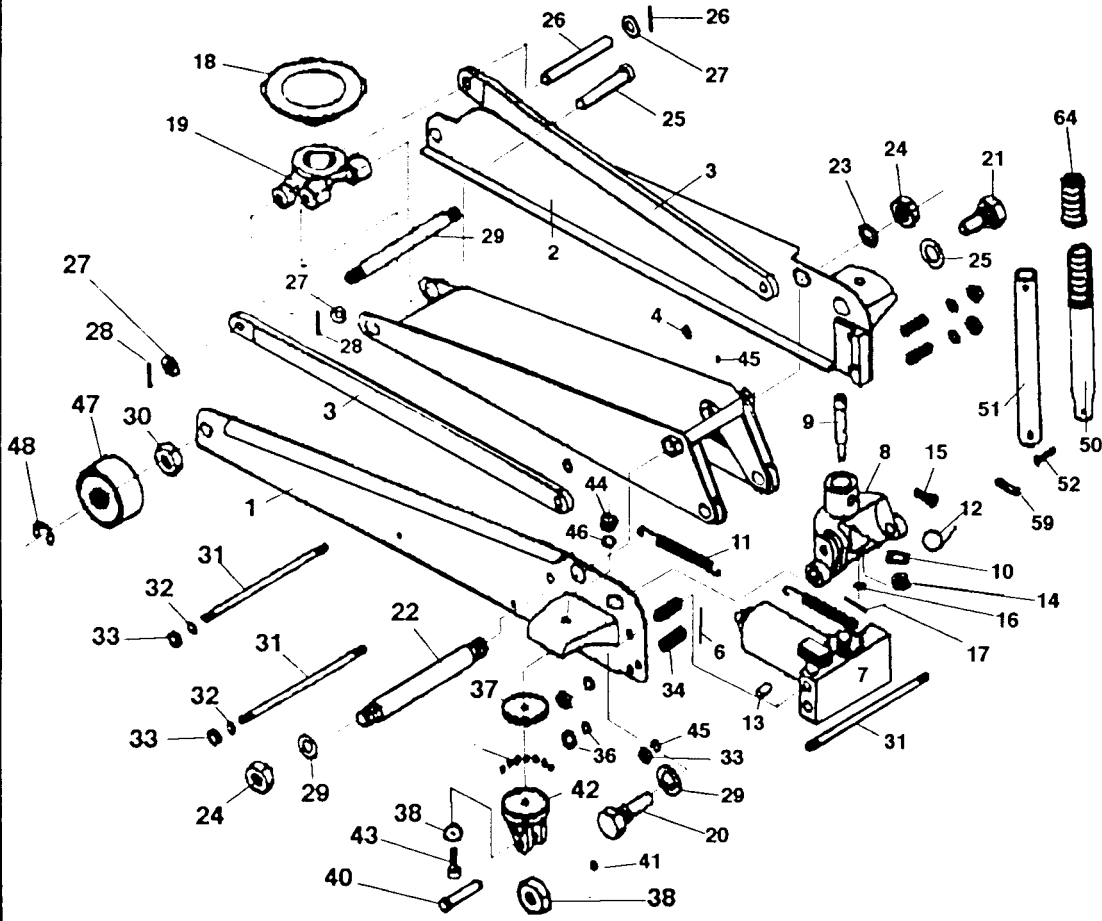




Parts List for 2150 HL/J

Original Date:- 020997
 Issue Date:- 25/9/97
 Version Nbr:- 0
 Date Modified:- N/A

(01284) 757500
 (01284) 703534



ITEM	PART No	DESCRIPTION	QTY	ITEM	PART No	DESCRIPTION	QTY
1	2150HL/J-01	Frame, Left Side	1	41	2150HL/J-41	C-Ring, S-11	2
2	2150HL/J-02	Frame, Right Side	1	42	2150HL/J-42	Bracket, Castor Wheel	2
3	2150HL/J-03	Rod, Link	2	43	2150HL/J-43	Bolt, M12x35	2
4	2150HL/J-04	E-Ring, E12	2	44	2150HL/J-44	Nut, Nylon, M12	2
5	2150HL/J-05	Arm, Lift	1	45	2150HL/J-45	Washer, Spring, M12	2
6	2150HL/J-06	Pin, M4x45mm	1	46	2150HL/J-46	Ball, Steel 1/4"	2
7	2150HL/J-07	Hydraulic Unit	1	47	2150HL/J-47	Wheel, Front	2
8	2150HL/J-08	Fork, Handle	1	48	2150HL/J-48	E-Ring, E-15	2
9	2150HL/J-09	Shaft, Gear	1	49	2150HL/J-49	Plug, 1/4-24UNF	1
10	2150HL/J-10	Gear, Handle Socket	1	50	2150HL/J-50	Handle, Upper Half	1
11	2150HL/J-11	Spring, Return	2	51	2150HL/J-51	Handle, Lower Half	1
12	2150HL/J-12	Spring, Tipping Gear	1	52	2150HL/J-52	Screw, 1/4"x35mm	1
13	2150HL/J-13	Rod, Pull	1	53	2150HL/J-53	Pin, M5x35	1
14	2150HL/J-14	Nut, M10	1	54	2150HL/J-54	Grip, Handle	1
15	2150HL/J-15	Screw, 3/8" x 15mm	1				
16	2150HL/J-16	washer M10	1				
17	2150HL/J-17	Pin, M2 x 15mm	1				
18	2150HL/J-18	Saddle	1				
19	2150HL/J-19	Holder, Saddle	1				
20	2150HL/J-20	Bolt, Left	1				
21	2150HL/J-21	Bolt, Right	1				
22	2150HL/J-22	Axle, Lift Arm	1				
23	2150HL/J-23	Washer, Spring, M20	4				
24	2150HL/J-24	Nut, M20Axle, Saddle	2				
25	2150HL/J-25	Base, Short	1				
26	2150HL/J-26	Axle Saddle older Long	1				
27	2150HL/J-27	Washer, Flat, M16	3				
28	2150HL/J-28	Pin, M2x25mm	3				
29	2150HL/J-29	Axle, Front Wheels	1				
30	2150HL/J-30	Nut, 7/8"	2				
31	2150HL/J-31	Bar, Frame Support	3				
32	2150HL/J-32	Washer, Spring, 5/16"	6				
33	2150HL/J-33	Nut, 5/16"	6				
34	2150HL/J-34	Bolt, M12	4				
35	2150HL/J-35	Washer, Spring, M12	4				
36	2150HL/J-36	Nut, Nylon, M12	4				
37	2150HL/J-37	Cover, Wheel Bearings	2				
38	2150HL/J-38	Bush, Castor Wheel	2				
39	2150HL/J-39	Wheel, Castor	2				
40	2150HL/J-40	Axle, Castor Wheel	2				