

Item	Part No.	Description
2	SN6.S	Steel Nut m6 Zinc din934 (Single)
4	100/02204	Circlip
5	100/02224	Circlip
6	100/0226100	Steel Bearing Race
7	100/02307	Screw
8	100/02328	Bolt
9	100/02346	Screw
10	100/3600300	Wheel Fork
12	100/3600600	Saddle
13	100/3600700	Wheel,Fixed (82x18x42)
14	100/3600800	Wheel,Fixed (83x15x25)

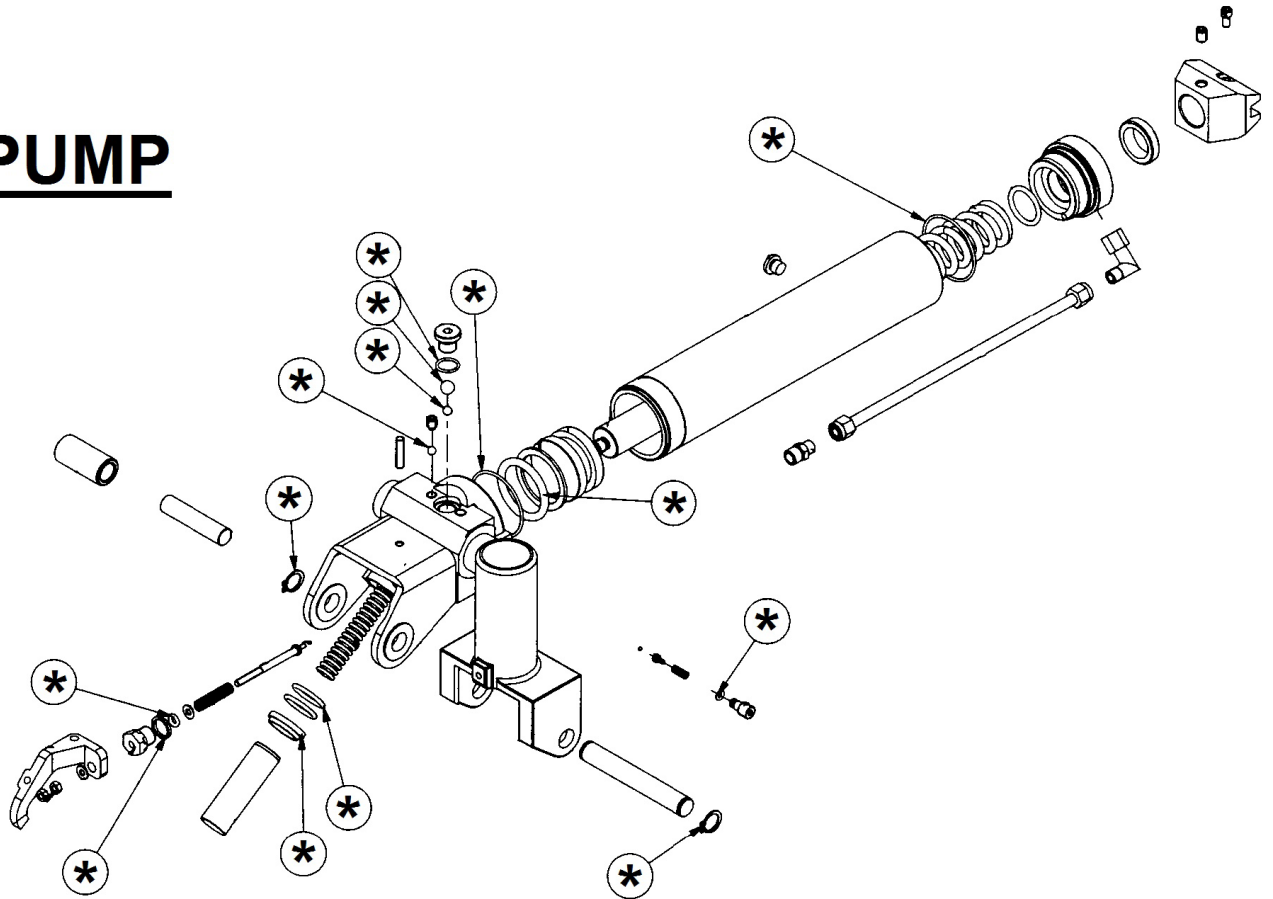
Item	Part No.	Description
15	100/3600900	Plastic Cover
16	100/3601000	Lever Tube
17	100/3601100	Handle
18	100/3601200	Axle
20	100/3600100	Base Frame
21	100/3600200	Lifting Frame
22	100/3600500	Steering Rod
23	100/9105000	Pump Complete
--	100/02020	Oil Drain Plug (NOT SHOWN)
--	FWM12.S	Flat Washer m12 Single (NOT SHOWN)
--	100/0906000	Repair Kit (Items Marked * Included)

NOTE: It is our policy to continually improve products and as such we reserve the right to alter data, specifications and component parts without prior notice.

IMPORTANT: No liability is accepted for incorrect use of product.

WARRANTY: Guarantee is 12 months from purchase date, proof of which will be required for any claim.

PUMP



Item	Part No.	Description
--	100/01049	O Ring (NOT SHOWN)
*	100/0103800	O-Ring
*	100/0103900	O-Ring
*	100/0105100	O-Ring
*	100/0108900	O-Ring
*	100/0123900	O-Ring
*	100/0125400	Scraper Ring

Item	Part No.	Description
--	100/01261	Scraper Ring (NOT SHOWN)
*	100/0130600	O-Ring
*	100/0213200	Copper Washer m14
*	SB-3.0	Steel Ball 3.0mm
*	SB-6.4	Steel Ball 6.4mm
*	100/02294	Release Ball

NOTE: It is our policy to continually improve products and as such we reserve the right to alter data, specifications and component parts without prior notice.

IMPORTANT: No liability is accepted for incorrect use of product.

WARRANTY: Guarantee is 12 months from purchase date, proof of which will be required for any claim.