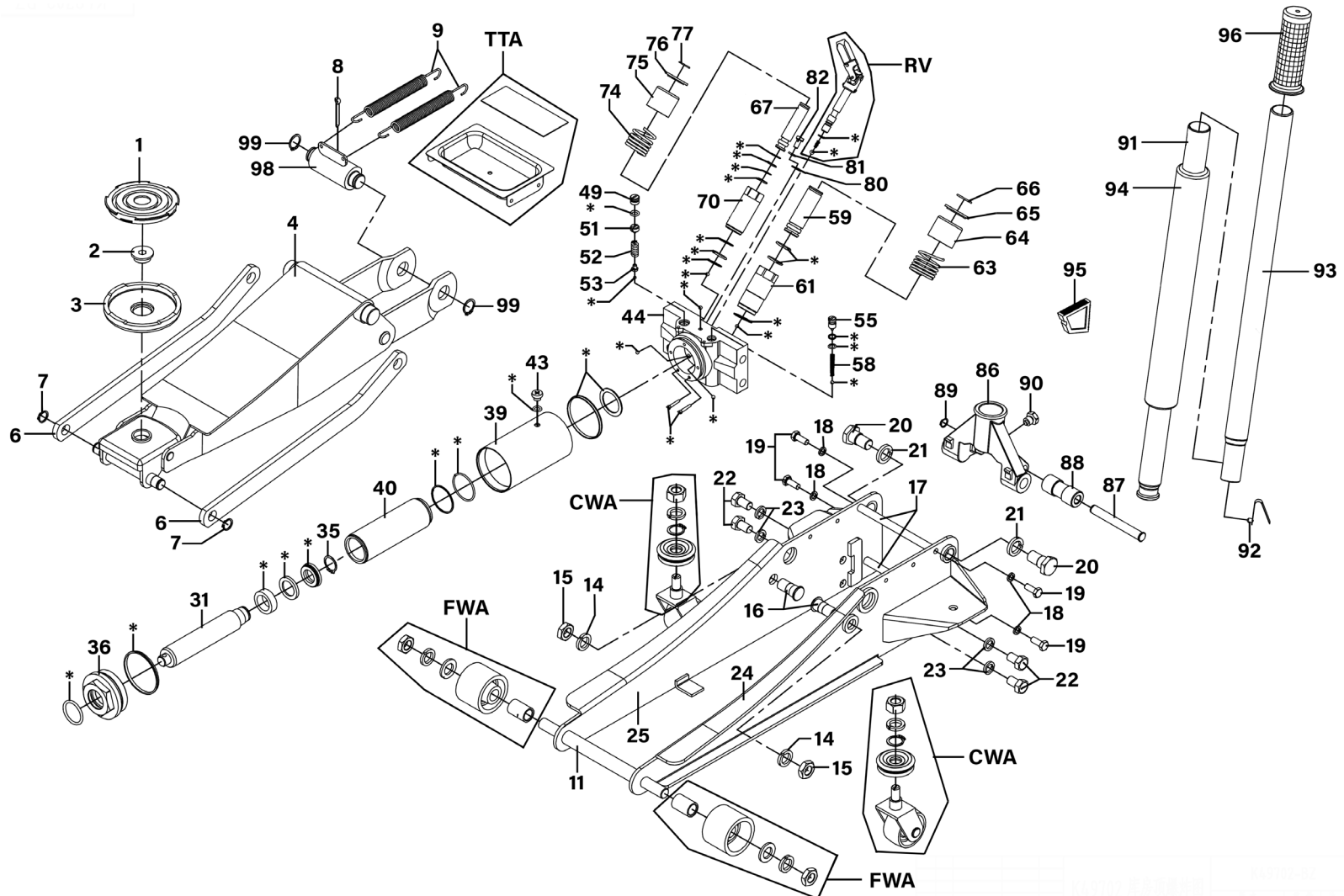




Parts Information:
Trolley Jack 2.25 Tonne Low Profile Rocket Lift
Model No: 2001LE.V3 SERIES



NOTE: It is our policy to continually improve products and as such we reserve the right to alter data, specifications and component parts without prior notice.

There may be alternative versions of this product, please contact us should you require this information.

IMPORTANT: No liability is accepted for incorrect use of product. Spare parts must be fitted by a competent person

WARRANTY: Guarantee is 12 months from purchase date, proof of which will be required for any claim.

Sealey Group, Kempson Way, Suffolk Business Park, Bury St Edmunds, Suffolk. IP32 7AR



01284 757500



sales@sealey.co.uk



www.sealey.co.uk



Parts Information:
**Trolley Jack 2.25 Tonne Low Profile Rocket
 Lift**
Model No: 2001LE.V3 SERIES

Item	Part No.	Description	Qty
1	JP17	Safety Rubber Jack Pad - Type B	1
2	SQ0423	Saddle Bolt	1
3	SQ0424	Saddle	1
4	2001LERE.V2-04	Lifting Arm Assembly	1
6	2001LERE.V2-06	Radius Link	2
7	1020LE.V3-42	External Circlip 16.0mm ID.	2
8	2001LERE.V2-08	Cotter Pin 3.4 X 55	1
9	2500LE.V3-08	Return Spring Dia 16mm	2
11	2001LERE.V2-11	Front Wheel Axle	1
14	SWM16.S	Spring Washer M16 Zinc	6
15	SN16.S	Steel Nut M16 Zinc	4
16	2001LERE.V2-16	Radius Link Stud	2
17	2001LERE.V2-17	Frame Tie Rod	2
18	SWM8.S	Spring Washer M8 Zinc	4
19	SS820.S	Hex Head Set Screw M8 X 20 Zinc	4
20	SQ0205	Handle Sleeve Bolt	2
21	SWM18.S	Spring Washer M18 Zinc	2
22	3001CXP.24	Bolt (M12x1.25x20)	4
23	SWM12.S	Spring Washer M12 Zinc	4
24	2001LERE.V2-24	Frame, Left Side (Red)	1
25	2001LERE.V2-25	Frame, Right Side (Red)	1
31	2001LERE.V2-31	Ram Plunger	1
35	2500LE.V3-39	External Circlip 20.5mm ID.	1
36	2500LE.V3-40	Top Nut	1
39	2500LE.V3-43	Reservoir	1
40	2500LE.V3-44	Cylinder	1
43	3001CXP.49	Oil Filler Plug Screw	1
44	SQ0425	Base	1
49	SQ0426	Guard Screw	1
51	SQ0427	Safety Valve Screw	1
52	SQ0428	Safety Valve Spring	1
53	SQ0429	Ball Seat Valve	1
55	SQ0384	Valve Screw	1
58	SQ0207	Taper Spring Dia 8.4mm	1
59	SQ0226	Pump Piston (large)	1

Item	Part No.	Description	Qty
61	2500LE.V3-65	Pump (B)	1
63	SQ0223	Pump Core Spring (B) Dia 37.4mm	1
64	SQ0222	Spring Sleeve (B)	1
65	SQ0221	Spring Stop Plate (B)	1
66	SQ0220	Spring Stop Plate Ring (B)	1
67	SQ0212	Pump Piston (A)	1
70	SQ0215	Pump 'A'	1
74	SQ0211	Pump Core Spring (A) Dia 33.5mm	1
75	SQ0210	Spring Sleeve (A)	1
76	SQ0209	Spring Stop Plate (A)	1
77	SQ0208	Spring Stop Plate Ring (A)	1
80	SQ0149	Flat Washer (26 x 17 x T3)	1
81	SWM6.S	Spring Washer M6 Zinc	1
82	SS612.S	Hex Head Set Screw M6 X 12 Zinc	1
86	SQ0234	Handle Socket	1
87	SQ0235	Handle Socket Pin	1
88	SQ0236	Handle Socket Roller	1
89	SQ0024	External Circlip 12.0mm ID.	1
90	4040A.87N	Handle Socket Bolt	1
91	SQ0387	Upper Handle	1
92	2001LERE.V2-92	Handle Lock Button	1
93	SQ0388	Lower Handle	1
94	SQ0132	Handle Sleeve	1
95	SQ0354	Handle Locking Block	1
96	SQ0128	Handle Grip	1
98	SQ0430	Connection Rod	1
99	SQ0032	External Circlip 20.5mm ID.	2
CWA	2001LE-V3-CWA	Wheel,Rear Swivel Castor, Single Bolt	2
FWA	2001LERE.V2-FWA	Wheel Assembly, Front, Fixed (D: 60 W: 48 B: 20)	2
--	2001LE-V3-HU	Hydraulic Unit Complete	1
RV	2001LE-V3-RV	Release Valve Assembly	1
TTA	2001LE-V3-TTA	Tool Tray Assembly	1
--	2001LE-V3-RK	Repair Kit (all items marked **)	1

NOTE: It is our policy to continually improve products and as such we reserve the right to alter data, specifications and component parts without prior notice. There may be alternative versions of this product, please contact us should you require this information.

IMPORTANT: No liability is accepted for incorrect use of product. Spare parts must be fitted by a competent person

WARRANTY: Guarantee is 12 months from purchase date, proof of which will be required for any claim.

Sealey Group, Kempson Way, Suffolk Business Park, Bury St Edmunds, Suffolk. IP32 7AR



01284 757500



sales@sealey.co.uk



www.sealey.co.uk



Parts Information:
**Trolley Jack 2.25 Tonne Low Profile Rocket
Lift**
Model No: 2001LE.V3 SERIES

2001LEBL.V3

Item	Part No.	Description	Qty
24	2001LEBL.V2-24	Frame, Left Side 'Blue' (for 2001LEBL only)	1
25	2001LEBL.V2-25	Frame, Right Side 'Blue' (for 2001LEBL only)	1

2001LEHV.V3

Item	Part No.	Description	Qty
24	2001LEHV.V2-24	Frame, Left Side 'Hi-Vis' (for 2001LEHV only)	1
25	2001LEHV.V2-25	Frame, Right Side 'Hi-Vis' (for 2001LEHV only)	1

2001LEOR.V2

Item	Part No.	Description	Qty
24	2001LEOR.V2-24	Frame, Left Side 'Orange' (for 2001LEOR only)	1
25	2001LEOR.V2-25	Frame, Right Side 'Orange' (for 2001LEOR only)	1

NOTE: It is our policy to continually improve products and as such we reserve the right to alter data, specifications and component parts without prior notice. There may be alternative versions of this product, please contact us should you require this information.

IMPORTANT: No liability is accepted for incorrect use of product. Spare parts must be fitted by a competent person

WARRANTY: Guarantee is 12 months from purchase date, proof of which will be required for any claim.

Sealey Group, Kempson Way, Suffolk Business Park, Bury St Edmunds, Suffolk. IP32 7AR



01284 757500



sales@sealey.co.uk



www.sealey.co.uk