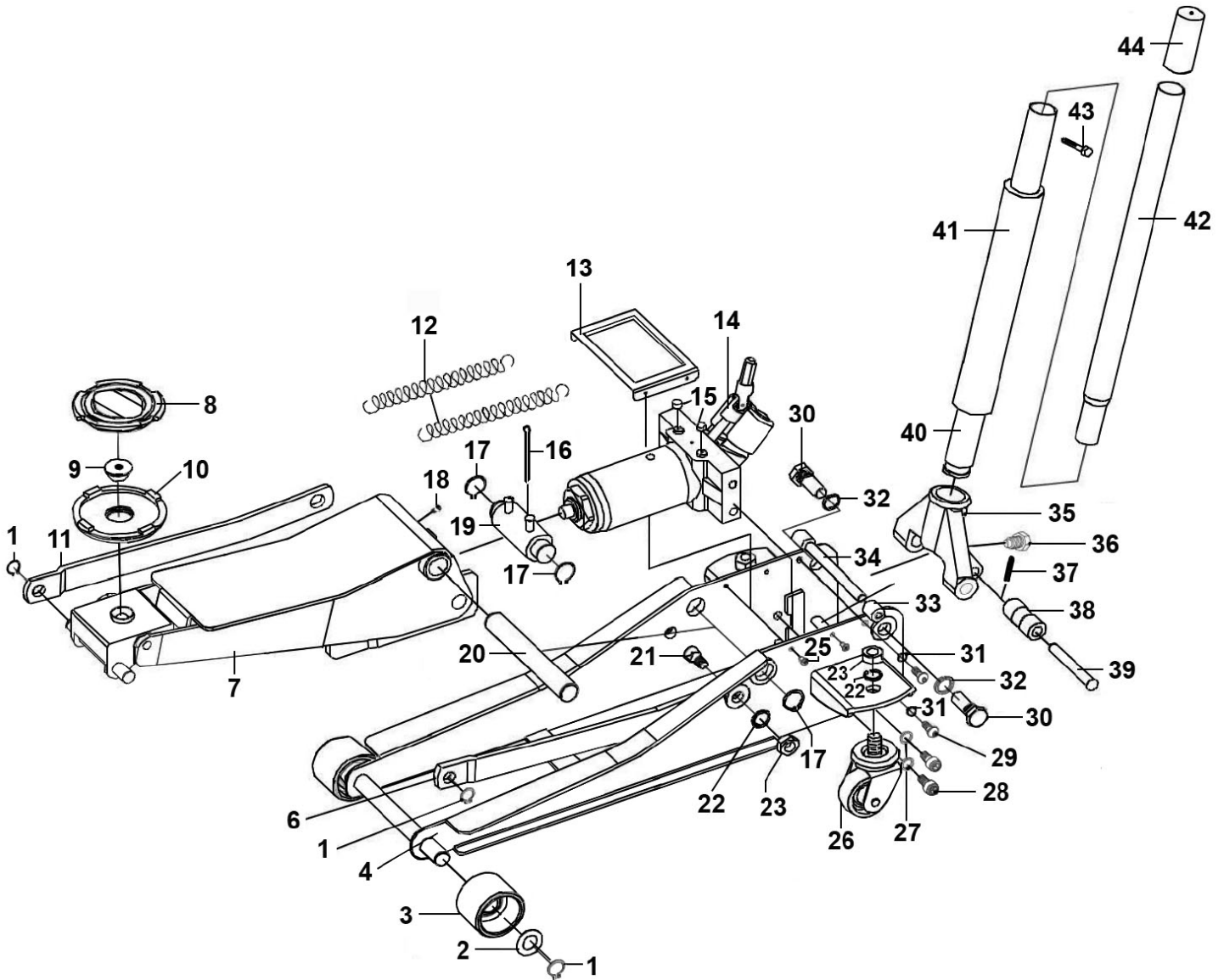


Parts Information:
Trolley Jack 2.25 Tonne Low Profile Rocket Lift
Model No: 2000LE SERIES



Item	Part No.	Description
1	2200HL.V2-13	External Circlip 16.0mm ID
2	2001LE.02	Flat Washer 20mm
3	2001LE.03	Wheel, Front Fixed (D:60 W:50 B:20)
4	2001LERE.04	Side Plate (Red)
4	2001LEBL.04	Side Plate (Blue)
4	2001LEOR.04	Side Plate (Orange)
4	2001LEHV.04	Side Plate (Green)
6	2001LE.06	Connecting Rod, Left
7	2001LERE.07	Lifting Arm (Red)
7	2001LEBL.07	Lifting Arm (Blue)
7	2001LEOR.07	Lifting Arm (Orange)
7	2001LEHV.07	Lifting Arm (Green)

Item	Part No.	Description
8	JP09	Safety Rubber Jack Pad - Type B
9	2001LE.09	Saddle Pin
10	2001LE.10	Saddle, White Serrated, Stepped (F) Ø 110mm
11	2001LE.11	Connecting Rod, Right
12	2001LE.12	Tension Spring Dia 15.8mm
13	2001LE.13	Cover Plate
14	2001LE.14	Pump Ass'y
15	2001LE.15	Safety Cover
16	3015CXD.30	Cotter Pin 3.8 x 45
17	2001LE.17	Retaining Ring (25mm)
18	GNM19S	Grease Nipple Str 6 x 1.00mm Single
19	2001LE.19	Connecting Rod

NOTE: It is our policy to continually improve products and as such we reserve the right to alter data, specifications and component parts without prior notice. There may be alternative versions of this product, please contact us should you require this information.

IMPORTANT: No liability is accepted for incorrect use of product. Spare parts must be fitted by a competent person

WARRANTY: Guarantee is 12 months from purchase date, proof of which will be required for any claim.



Parts Information:
**Trolley Jack 2.25 Tonne Low Profile Rocket
Lift**
Model No: 2000LE SERIES

Item	Part No.	Description
20	2001LE.20	Lifting Arm Pin
21	2001LE.21	Connecting Rod Bolt
22	2001LE.22	Spring Washer 16mm
23	SN16.S	Steel Nut M16 Zinc
25	2001LE.25	Csk Head S/T Screw M4.8 X 16
26	2001LE.26	Wheel, Rear Swivel Castor, Single Bolt (D:60 W:25 B:10 H:113)
27	SWM10.SB	Spring Washer M10 Black
28	SCB1020.SB	Socket Cap Bolt M10 X 20mm Black
29	BHSS820.S	Button Head Socket Screw M8 X 20 Zinc
30	2001LE.30	Handle Socket Support Bolt
31	2001LE.31	Spring Washer 8mm
32	2001LE.32	Spring Washer 18mm

Item	Part No.	Description
33	2001LE.33	Bushing For Support Rod
34	2001LE.34	Support Rod
35	2001LE.35	Handle Socket
36	2001LE.36	Handle Socket Screw M12
37	2001LE.37	Cotter Pin 2.5x16
38	2001LE.38	Handle Socket Roller
39	2001LE.39	Roller Pin Shaft
40	3015CXD.37	Lower Jack Handle (Square) 16.4mm
41	2001LE.41	Handle Cover
42	2001LE.42	Upper Handle
43	SS635.S	Hex Head Set Screw M6 X 35 Zinc
44	2001LE.44	Handle Grip

NOTE: It is our policy to continually improve products and as such we reserve the right to alter data, specifications and component parts without prior notice. There may be alternative versions of this product, please contact us should you require this information.

IMPORTANT: No liability is accepted for incorrect use of product. Spare parts must be fitted by a competent person

WARRANTY: Guarantee is 12 months from purchase date, proof of which will be required for any claim.

Sealey Group, Kempson Way, Suffolk Business Park, Bury St Edmunds, Suffolk. IP32 7AR



01284 757500



sales@sealey.co.uk



www.sealey.co.uk