

Item	Part No.	Description
1	100/0202800	Screw
2	SN6.S	Steel Nut m6 Zinc din934 (Single)
3	FWM12.S	Flat Washer m12 Single
4	100/02204	Circlip
5	100/02224	Circlip
6	100/0226100	Steel Bearing Race
7	100/02307	Screw
8	100/02328	Bolt
9	100/02346	Screw
10	100/3600300	Wheel Fork
12	100/3600600	Saddle

Item	Part No.	Description
13	100/3600700	Wheel,Fixed (82x18x42)
14	100/3600800	Wheel,Fixed (83x15x25)
15	100/3600900	Plastic Cover
16	100/3601000	Lever Tube
17	100/3601100	Handle
18	100/3601200	Axle
20	100/3605100	Base Frame
21	100/3605200	Lifting Frame
22	100/3602300	Steering Rod
23	100/9107500	Pump Complete
--	SSP221	Safety Rubber Jack Pad (NOT SHOWN)

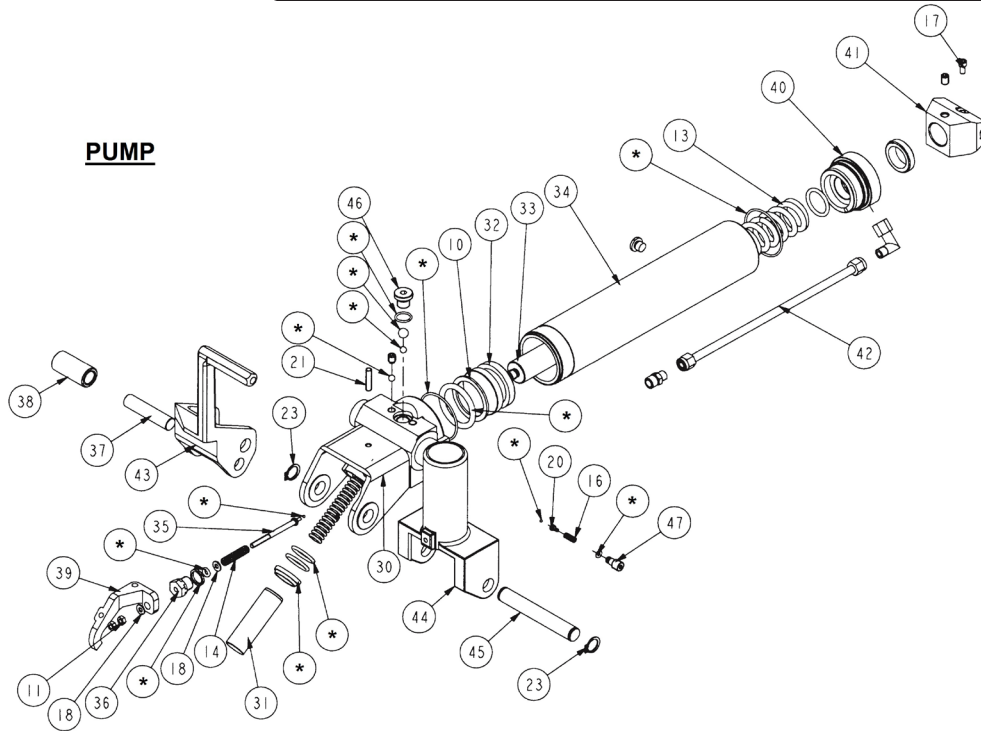
NOTE: It is our policy to continually improve products and as such we reserve the right to alter data, specifications and component parts without prior notice.

IMPORTANT: No liability is accepted for incorrect use of product.

WARRANTY: Guarantee is 12 months from purchase date, proof of which will be required for any claim.

Parts Information: Trolley Jack Premier Viking 2tonne High Lift Low Entry Model No: 2001HL.V2

PUMP



Item	Part No.	Description
*	100/0103800	O-Ring
*	100/0103900	O-Ring
*	100/0105100	O-Ring
*	100/0108900	O-Ring
*	100/0123900	O-Ring
*	100/0125400	Scraper Ring
*	100/0130600	O-Ring
10	100/0130800	Back Up Ring
11	SN5.S	Steel Nut m5 Zinc din934 (Single)
13	100/0209800	Spring
14	100/0205400	Spring
16	100/0207800	Spring
17	100/0208500	Screw
18	100/0210800	Washer
*	100/0213200	Copper Washer m14
20	100/0215500	Screw
21	100/0215600	Stop Screw
*	SB-3.0	Steel Ball 3.0mm
23	100/02224	Circlip
*	SB-6.4	Steel Ball 6.4mm
*	100/02294	Release Ball
30	100/9105100	Pump Body
31	100/9105200	Pump Piston
32	100/9105300	Piston

Item	Part No.	Description
33	100/9107300	Piston Rod
34	100/9107200	Cylinder Tube
35	100/9105600	Release Spindle
36	100/9105700	Release Guide
37	100/9106000	Rolling Axle
38	100/9106100	Roll
39	100/9106300	Release Bracket
40	100/9107100	Nut
41	100/9106500	Adaptor
42	100/9107600	Oil Hose
43	100/9106700	Pedal
44	100/9106800	Tipping Gear
45	100/9106900	Axle, Tipping Gear
46	100/9107700	Plug
47	100/9500502	Adjusting Screw
--	100/0906000	Repair Kit (Items Marked * Included)
--	GSM810.S	Grub Screw m8x10 (Single) (NOT SHOWN)
--	100/0268500	Spring (NOT SHOWN)
--	100/02313	Counter Screw (NOT SHOWN)
--	100/02417	Elbow Gland (NOT SHOWN)
--	100/02448	Oil Filling Plug (NOT SHOWN)
--	100/0249500	Gland (NOT SHOWN)
--	100/01049	O Ring (NOT SHOWN)
--	100/01261	Scraper Ring (NOT SHOWN)

NOTE: It is our policy to continually improve products and as such we reserve the right to alter data, specifications and component parts without prior notice.

IMPORTANT: No liability is accepted for incorrect use of product.

WARRANTY: Guarantee is 12 months from purchase date, proof of which will be required for any claim.