

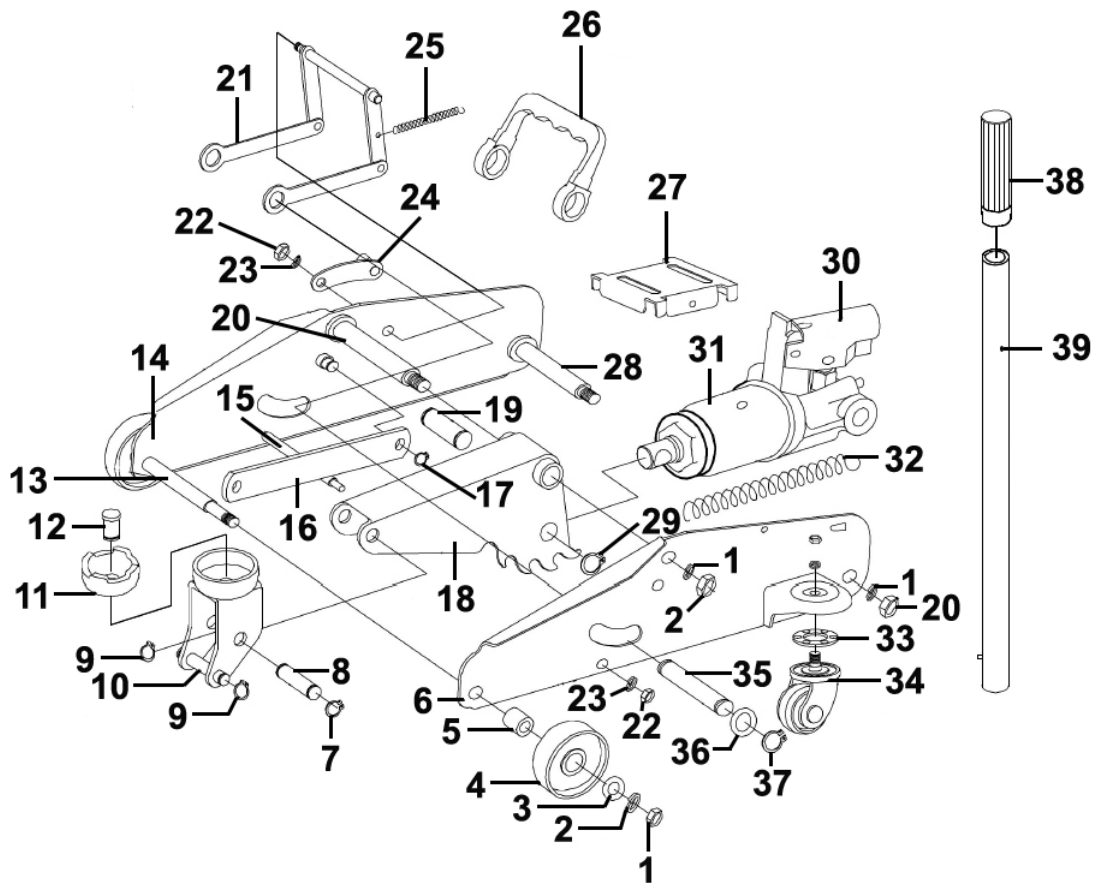
Item	Part No.	Description
1	2000LJ.P01	Top cap Ring
2	2000LJ.P02	Top Cap
3	2000LJ.P03	Piston Rod (Piston Dia.24.9mm)(Inc 4/5/6)IK
4	2000LJ.P04	Retaining Spacer
5	2000LJ.P05	Washer
6	2000LJ.P06	Y-Ring
7	2000LJ.P07	Upper, Seal Ring
8	2000LJ.P08	Reservoir
9	2000LJ.P09	Oil Filler Plug
10	2000LJ.P10	Oil Cylinder
11	2000LJ.P11	Nylon Cap
12	2000LJ.P12	Lower, Seal Ring
13	SB-5.0	Steel Ball 5.0mm
14	2000LJ.P14	Oil Strainer
15	2000LJ.P15	Valve Body

Item	Part No.	Description
16	SB-6.0	Steel Ball 6.0mm
17	2000LJ.P17	Pump Packing
18	2000LJ.P18	Pump Inner
19	2000LJ.P19	O-Ring
20	2000LJ.P20	Split Ring
21	2000LJ.P21	Pump Core
22	2000LJ.P22	Link Piston
23	2000LJ.P23	Pressure Regulating, Valve Screw
24	2000LJ.P24	O-Ring
25	2000LJ.P25	Pressure Spring
26	2000LJ.P26	Ball Valve Seat
27	SB-3.0	Steel Ball 3.0mm
28	2000LJ.P28	Release Valve
29	2000LJ.P29	O-Ring
30	SB-6.0	Steel Ball 6.0mm

**NOTE:** It is our policy to continually improve products and as such we reserve the right to alter data, specifications and component parts without prior notice. There may be alternative versions of this product, please contact us should you require this information.

**IMPORTANT:** No liability is accepted for incorrect use of product. Spare parts must be fitted by a competent person

**WARRANTY:** Guarantee is 12 months from purchase date, proof of which will be required for any claim.



Item	Part No.	Description
1	SN12.S	Steel Nut M12 Zinc
2	2000LJ.02	Spring Washer (12mm)
3	2000LJ.03	Flat Washer (12mm)
4	2000LJ.04	Wheel, Front Fixed (D:64 W:18 B:20)
5	2000LJ.05	Front Wheel Spacer
6	2000LJ.06	Side Member (Left)
7	2000LJ.07	Retaining Ring (12mm)
8	2000LJ.08	Spindle
9	2000LJ.09	Retaining Ring (13mm)
10	2000LJ.10	Saddle Axis
11	2000LJ.11	Saddle
12	2000LJ.12	Saddle Pin
13	2000LJ.13	Front Wheel Shaft
14	2000LJ.14	Side Member (Right)
15	2000LJ.15	Middle Shaft
16	2000LJ.16	Radius Link
17	2000LJ.17	Retaining Ring (10mm)
18	2000LJ.18	Lift Arm
19	2000LJ.19	Link Pin
20	2000LJ.20	Lift Arm Spindle

Item	Part No.	Description
21	2000LJ.21	Securing Connection
22	SN8.S	Steel Nut M8 Zinc
23	2000LJ.23	Spring Washer (8mm)
24	2000LJ.24	Connection Plate
25	2000LJ.25	Tension Spring Dia 8.6mm
26	2000LJ.26	Carrying Handle
27	2000LJ.27	Cover Plate
28	2000LJ.28	Spindle
29	2000LJ.29	Retaining ring (19mm)
30	2000LJ.30	Handle Socket
31	2000LJ.31	Hydraulic Pump
32	2000LJ.32	Return Spring Dia 14.4mm
33	2000LJ.33	Plastic Bearing Race
34	1050CX.V3-24	Wheel, Swivel Castor, Single Bolt
35	2000LJ.35	Shaft
36	2000LJ.36	Flat Washer (17mm)
37	2000LJ.37	Retaining Ring (17mm)
38	2000LJ.38	Handle Grip
39	2000LJ.39	Handle
40	2000LJ.40	Steel Lock Button

**NOTE:** It is our policy to continually improve products and as such we reserve the right to alter data, specifications and component parts without prior notice. There may be alternative versions of this product, please contact us should you require this information.

**IMPORTANT:** No liability is accepted for incorrect use of product. Spare parts must be fitted by a competent person

**WARRANTY:** Guarantee is 12 months from purchase date, proof of which will be required for any claim.