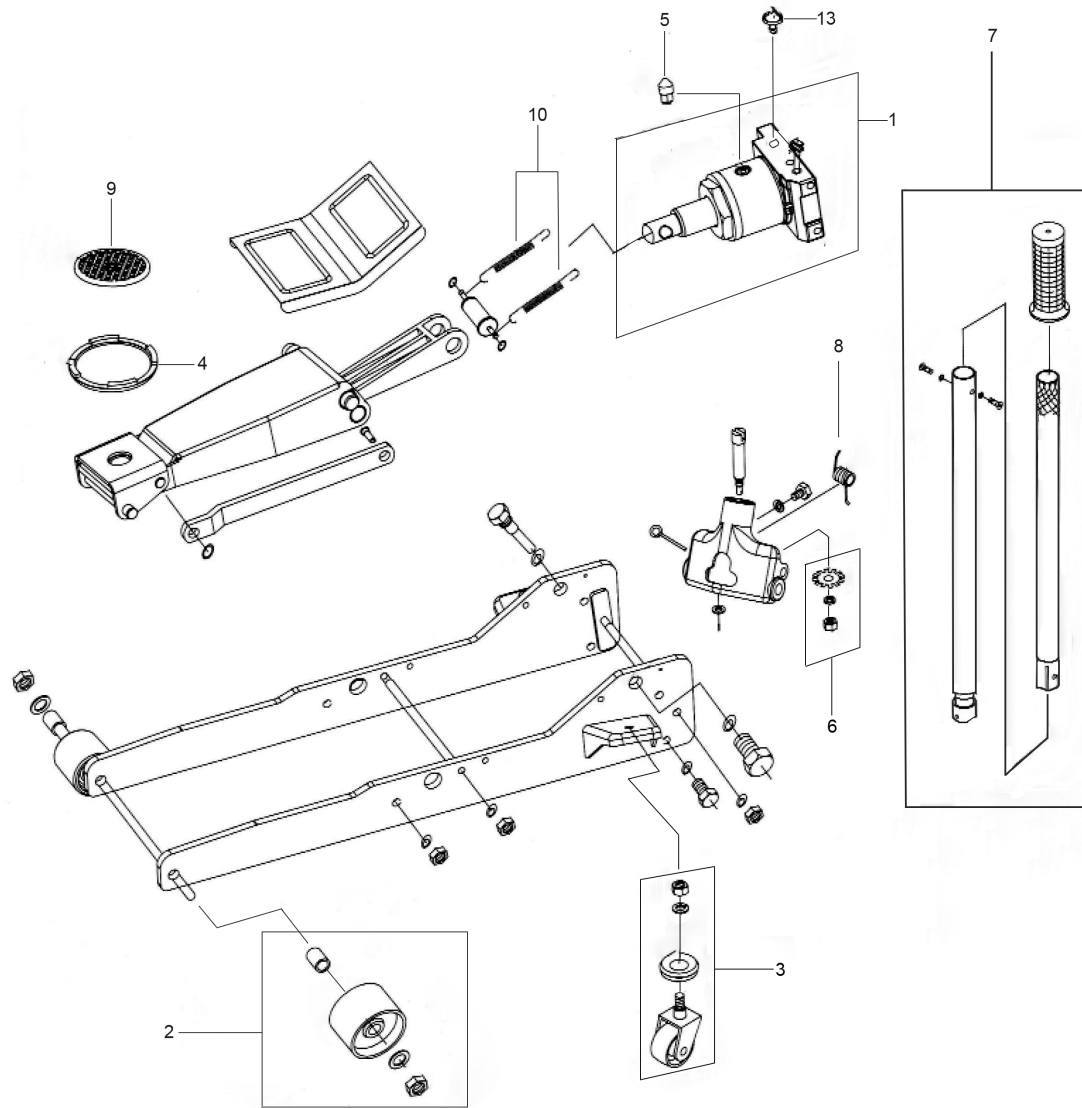




Parts Information:
**Trolley Jack 2tonne Low Entry Super
 Rocket Lift**
Model No: 2000LEQ



Item	Part No.	Description
1	2000LEQ-01	Power Unit
2	2000LEQ-02	Wheel, Front Fixed
3	2000LEQ-03	Wheel, Rear Swivel Castor
4	2000LEQ-04	Saddle
5	2000LEQ-05	Oil Filler Plug
6	2000LEQ-06	Release Valve Gear

Item	Part No.	Description
7	3200CXQP-06	Handle Ass'y
8	2000LEQ-08	Spring
9	JP02	Safety Rubber Jack Pad
10	2000LEQ-10	Extension Spring
13	2000LEQ-13	Release Valve
--	2000LEQ-12	Repair Kit (Not Shown)

NOTE: It is our policy to continually improve products and as such we reserve the right to alter data, specifications and component parts without prior notice. There may be alternative versions of this product, please contact us should you require this information.

IMPORTANT: No liability is accepted for incorrect use of product. Spare parts must be fitted by a competent person

WARRANTY: Guarantee is 12 months from purchase date, proof of which will be required for any claim.

Sealey Group, Kempson Way, Suffolk Business Park, Bury St Edmunds, Suffolk. IP32 7AR



01284 757500



01284 703534



sales@sealey.co.uk



www.sealey.co.uk