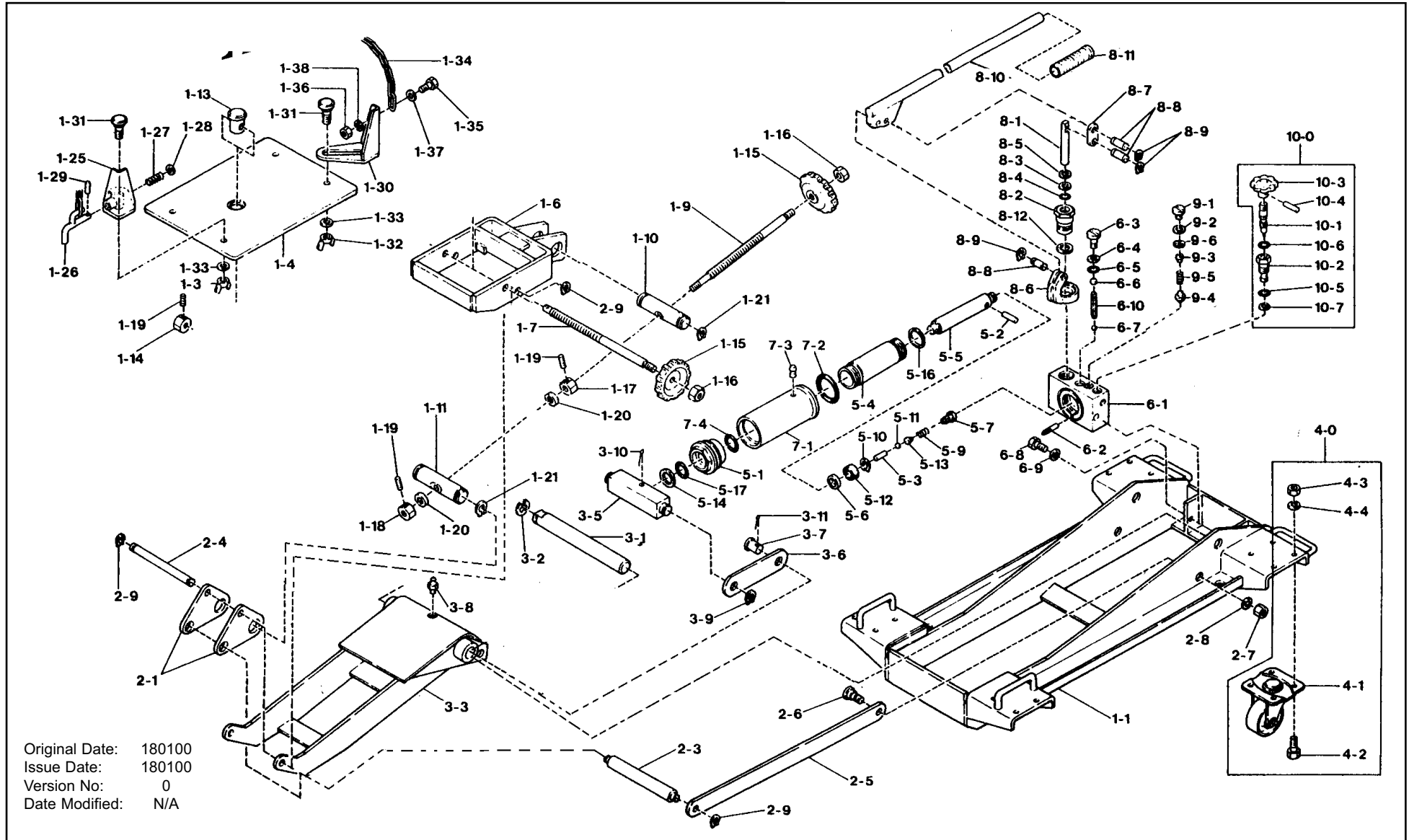


# PARTS LIST

## TRANSMISSION JACK model No: 1500CE



Original Date: 180100  
 Issue Date: 180100  
 Version No: 0  
 Date Modified: N/A





Sealey Group,  
Bury St. Edmunds,  
Suffolk.

## PARTS LIST

### TRANSMISSION JACK model No: **1500CE**

NO	PART NO	DESCRIPTION	NO	PART NO	DESCRIPTION	NO	PART NO	DESCRIPTION
1-1	1500CE/1-1	FRAME	2-8	1500CE/2-8	SPRING WASHER	6-6	1500CE/6-6	STEEL BALL *
1-4	1500CE/1-4	PLATE	2-9	1500CE/2-9	SNAP RING	6-7	1500CE/6-7	STEEL BALL *
1-6	1500CE/1-6	TILTING SADDLE	3-1	1500CE/3-1	ARM PIN	6-8	1500CE/6-8	BOLT
1-7	1500CE/1-7	SCREW	3-2	1500CE/3-2	E-TYPE RING	6-9	1500CE/6-9	SPRING WASHER
1-9	1500CE/1-9	SCREW	3-3	1500CE/3-3	ARM	6-10	1500CE/6-10	SEPARATOR
1-10	1500CE/1-10	PIN WITH FEMALE SCREW	3-5	1500CE/3-5	CONNECTING JOINT	7-1	1500CE/7-1	OIL TANK
1-11	1500CE/1-11	PIN	3-6	1500CE/3-6	TENSION ROD	7-2	1500CE/7-2	O-RING*
1-13	1500CE/1-13	GUIDE SCREW	3-7	1500CE/3-7	TENSION ROD PIN	7-3	1500CE/7-3	CAP
1-14	1500CE/1-14	COLLAR	3-8	1500CE/3-8	GREASE NIPPLE	7-4	1500CE/7-4	O-RING
1-15	1500CE/1-15	GRIP	3-9	1500CE/3-9	SNAP RING	8-1	1500CE/8-1	PUMP PLUNGER
1-16	1500CE/1-16	NUT	3-10	1500CE/3-10	COTTER PIN	8-2	1500CE/8-2	PLUNGER GUIDE
1-17	1500CE/1-17	COLLAR	3-11	1500CE/3-11	COTTER PIN	8-3	1500CE/8-3	BACK-UP RING*
1-18	1500CE/1-18	COLLAR	4-0	1500CE/4-0	CASTOR ASSEMBLY	8-4	1500CE/8-4	O-RING*
1-18	1500CE/1-19	SET SCREW	4-1	1500CE/4-1	CASTER (4)	8-5	1500CE/8-5	OIL SEAL *
1-20	1500CE/1-20	THRUST BEARING	4-2	1500CE/4-2	BOLT	8-6	1500CE/8-6	LEVER BRACKET
1-21	1500CE/1-21	SNAP RING	4-3	1500CE/4-3	NUT(16)	8-7	1500CE/8-7	LINK
1-25	1500CE/1-25	BRACKET (LH)	4-4	1500CE/4-4	SPRING WASHER (16)	8-8	1500CE/8-8	PIN
1-26	1500CE/1-26	HOOK LEVER	5-1	1500CE/5-1	TANK NUT	8-9	1500CE/8-9	SNAP RING*
1-27	1500CE/1-27	SPRING	5-2	1500CE/5-2	BY-PASS BAR	8-10	1500CE/8-10	LEVER
1-28	1500CE/1-28	COLLAR	5-3	1500CE/5-3	NEEDLE ROLLER	8-11	1500CE/8-11	KNOB
1-29	1500CE/1-29	SPRING PIN	5-4	1500CE/5-4	CYLINDER	8-12	1500CE/8-12	COPPER PACKING*
1-30	1500CE/1-30	BRACKET (RH)	5-5	1500CE/5-5	PISTON ROD	9-1	1500CE/9-1	CAP PLUG
1-31	1500CE/1-31	BOLT	5-6	1500CE/5-6	PACKING SEAT	9-2	1500CE/9-2	PACKING
1-32	1500CE/1-32	WING NUT	5-7	1500CE/5-7	BY-PASS SCREW	9-3	1500CE/9-3	SPRING SEAT
1-33	1500CE/1-33	WASHER	5-9	1500CE/5-9	SPRING	9-4	1500CE/9-4	SAFETY VALVE
1-34	1000CE/1-16	CHAIN	5-10	1500CE/5-10	SNAP RING	9-5	1500CE/9-5	SPRING
1-35	1500CE/1-35	BOLT	5-11	1500CE/5-11	STEEL BALL	9-6	1500CE/9-6	PACKING*
1-36	1500CE/1-36	NUT	5-12	1500CE/5-12	U-TYPE PACKING *	10-0	1500CE/10-0	RELEASE VALVE ASSEMBLY
1-37	1500CE/1-37	WASHER	5-13	1500CE/5-13	SPRING RECIEVER	10-1	1500CE/10-1	RELEASE VALVE
1-38	1500CE/1-38	SPRING WASHER	5-14	1500CE/5-14	OIL SEAL	10-2	1500CE/10-2	RELEASE VALVE GUIDE
2-1	1500CE/2-1	ARM CONNECTING JOINT	5-16	1500CE/5-16	COPPER PACKING*	10-3	1500CE/10-3	RELEASE VALVE GRIP
2-3	1500CE/2-3	LINK ROD PIN	5-17	1500CE/5-17	O-RING	10-4	1500CE/10-4	SPRING PIN
2-4	1500CE/2-4	ARM PIN	6-1	1500CE/6-1	OIL BOX	10-5	1500CE/10-5	O-RING (1 PIECE)
2-5	1500CE/2-5	LINK ROD	6-2	1500CE/6-2	OIL STRAINER	10-6	1500CE/10-6	O-RING (1 PIECE )
2-6	1500CE/2-6	LINK ROD PIN	6-3	1500CE/6-3	CAP PLUG	10-7	1500CE/10-7	COPPER PACKING
2-7	1500CE/2-7	NUT	6-4	1500CE/6-4	BACK-UP RING		1500CE/RK	REPAIR KIT (19pcs)
			6-5	1500CE/6-5	O-RING *			

Note:  
Items  
marked  
with an  
\* may  
also be  
found in  
the repair  
kit



Sealey Group,  
Bury St. Edmunds, Suffolk.



01284 757500



01284 703534

E-mail: sales@sealey.co.uk

**NOTE:** It is our policy to continually improve products and as such we reserve the right to alter data, specifications and component parts without prior notice.