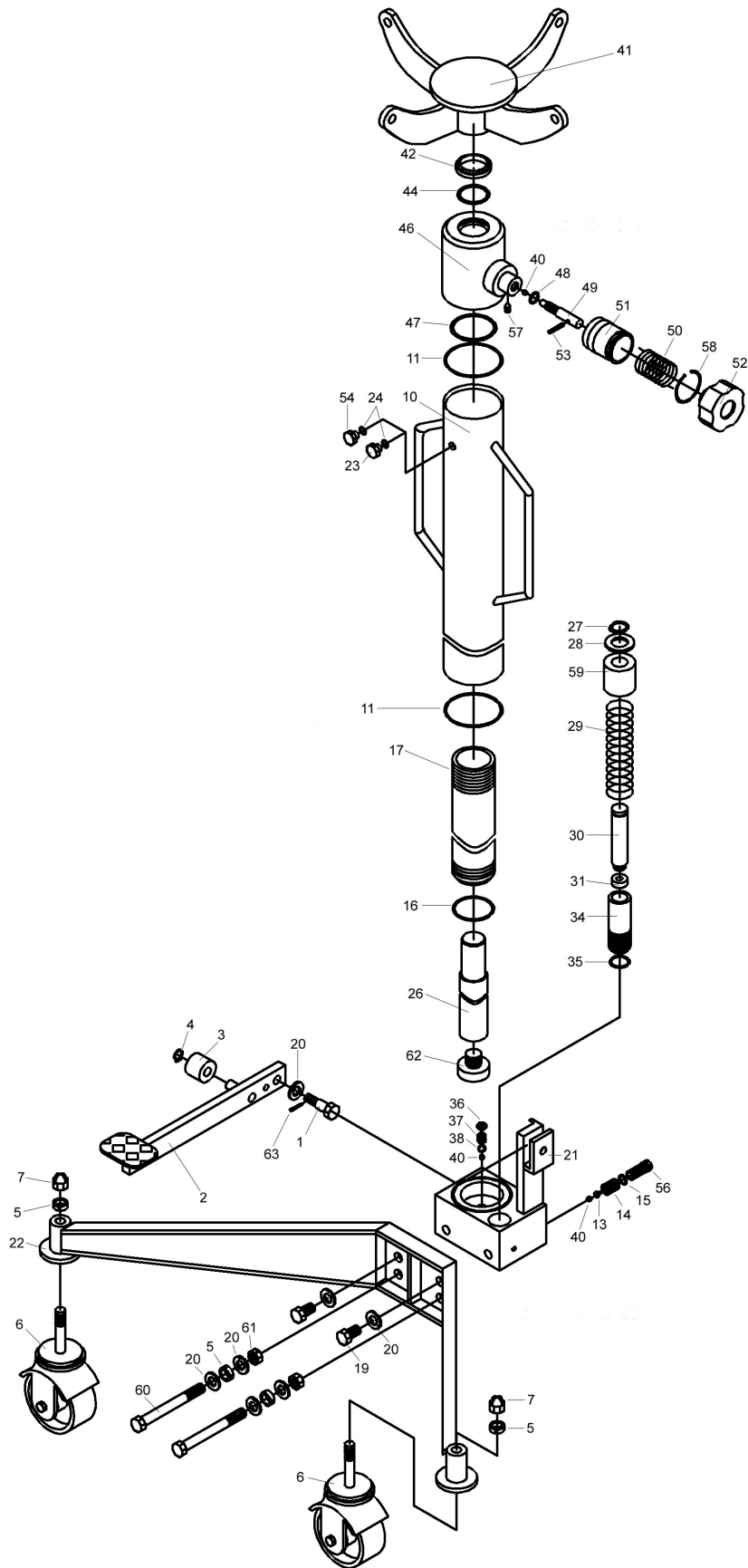




Parts Information:
Transmission Jack 1.25tonne Vertical
Model No: 1250TR.V2



NOTE: It is our policy to continually improve products and as such we reserve the right to alter data, specifications and component parts without prior notice.

IMPORTANT: No liability is accepted for incorrect use of product.

WARRANTY: Guarantee is 12 months from purchase date, proof of which will be required for any claim.

Sealey Group, Kempson Way, Suffolk Business Park, Bury St Edmunds, Suffolk. IP32 7AR



01284 757500



01284 703534



sales@sealey.co.uk



www.sealey.co.uk



Parts Information:
Transmission Jack 1.25tonne Vertical
Model No: 1250TR.V2

Item	Part No.	Description
1	1250TR.V2-01	PEDAL SCREW
2	1250TR.V2-02	PEDAL ASSEMBLY
3	1250TR.V2-03	BUSHING
4	1250TR.V2-04	CIRCLIP
5	SWM12.SB	SPRING WASHER M12 BLACK(SINGLE)
6	1250TR.V2-06	WHEEL,SWIVEL CASTOR (88x10x37x114)
7	SN12.SD	STEEL NUT M12 DOMED (SINGLE)
10	1250TR.V2-10	RESERVOIR
11	1250TR.V2-11	O-RING '85x3.1mm'
13	1250TR.V2-13	SPRING SEAT
14	1250TR.V2-14	ADJUSTING SPRING
15	1250TR.V2-15	O-RING
16	1250TR.V2-16	O-RING
17	1250TR.V2-17	CYLINDER
19	SS1220.S	HEX HEAD SET SCREW M12x20mm SINGLE
20	FWM12.S	FLAT WASHER M12 SINGLE
21	1250TR.V2-21	PUMP
22	1250TR.V2-22	STAND
23	1250TR.V2-23	BOLT M10X6
24	1250TR.V2-24	O-RING
26	1250TR.V2-26	PISTON
27	1250TR.V2-27	CIRCLIP
28	FWM20.S	FLAT WASHER M20 SINGLE
29	1250TR.V2-29	PUMP SPRING
30	1250TR.V2-30	PUMP PISTON
31	1250TR.V2-31	U-RING (12*20*5.8)

Item	Part No.	Description
34	1250TR.V2-34	PUMP UNIT
35	1250TR.V2-35	O-RING
36	1250TR.V2-36	SCREW
37	1250TR.V2-37	SPRING
38	SB-9.5	STEEL BALL 9.5mm
40	SB-6.4	STEEL BALL 6.4mm
41	1250TR.V2-41	FORKED LIFTING SADDLE
42	1250TR.V2-42	DUST RING '35mm'
44	1250TR.V2-44	O-RING '41x35mm'
46	1250TR.V2-46	CYLINDER HEAD
47	1250TR.V2-47	O-RING
48	1250TR.V2-48	O-RING
49	1250TR.V2-49	RELEASE ROD
50	1250TR.V2-50	RELEASE SPRING
51	1250TR.V2-51	BUSHING
52	1250TR.V2-52	RELEASE HANDLE
53	1250TR.V2-53	SPRING PIN M4X25
54	1250TR.V2-54	BUNG
57	GSM610.S	GRUB SCREW M6x10 (SINGLE)
58	1250TR.V2-58	CIRCLIP
59	1250TR.V2-59	BUSHING
60	HHB12130.SB	HEX HEAD BOLT M12x130mm SINGLE BLACK
61	SN16.S	STEEL NUT M16 ZINC DIN934(SINGLE)
62	1250TR.V2-62	PISTON SCREW
63	1250TR.V2-63	R CLIP

NOTE: It is our policy to continually improve products and as such we reserve the right to alter data, specifications and component parts without prior notice.

IMPORTANT: No liability is accepted for incorrect use of product.

WARRANTY: Guarantee is 12 months from purchase date, proof of which will be required for any claim.

Sealey Group, Kempson Way, Suffolk Business Park, Bury St Edmunds, Suffolk. IP32 7AR



01284 757500



01284 703534



sales@sealey.co.uk



www.sealey.co.uk