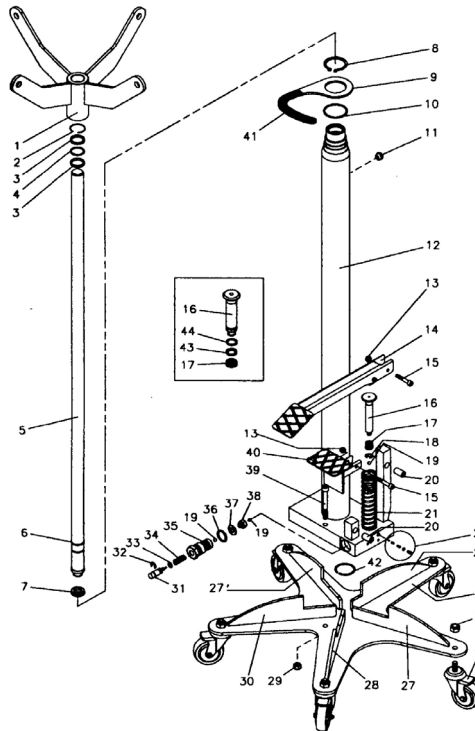


Parts Information: Transmission Jack Yankee 1.25tonne Vertical Model No: 1250TR



Item	Part No.	Description
1	TR1200-C17	Saddle
2	MG-8/1361	Ring
3	MG-8/1102	Ring
4	MG-8/1131	O-Ring
5	FMG1200A/1105	Main Piston
6	TS-1.5/1164	Ring
7	ME-8001/1134	Seal
8	Y-40/1114	Circlip
9	FMG1200A/1155	Handle
10	MGT-12/1131	O-Ring
11	ME-12001/1139	Filler Plug
12	FMG-1200A/C25	Hydraulic Unit
13	WD102/UNIT	Hydraulic Unit
14	FMG-300A/C13	Foot Pedal
15	BD-3/1901	Screw
16	FMG-1200/1110	Pump Piston
17	ME-1501/1134	Seal (22x12.5x7)
18	FMG-1200/1161	Spring
19	SB-5.6	Steel Ball 5.6mm
20	WD102/UNIT	Hydraulic Unit
21	TS-1.5/1241	Spring
22	FMG-300/C9	Safety Valve
23	FMG750A/1562T	Reinforcement
24	FMG1200A/1237	Frame

Item	Part No.	Description
25	NLN12.S	Nyloc Nut m12 Zinc din 985 (Single)
26	TJM-3/1214	Wheel,Castor (79x7x25x100)
27	FMG1200A1562L	Reinforcement
28	FMG750A/1562D	Reinforcement
29	EF-1.5/1318	Nut
30	FMG750A/1562I	Reinforcement
31	WD102/UNIT	Hydraulic Unit
32	WD102/29	Retaining Ring
33	WD102/27	O-Ring
34	TJ-2/1527	Spring
35	FMG-300A/1126	Nut
36	MG-3/1134	O-Ring
37	TJ-2/2100	Washer Brass m10
38	TS-1.5/2096	Screw
39	FMG-750A/1422	Screw
40	FMG-300A/C47	Foot Pedal
41	FMG-300A/1452	Grip
42	MGT-8/1361	Ring
43	EF-1200/1127	Ring
44	TR-2/1289	O-Ring
--	1250TR-V2.RK	Repair Kit (NOT SHOWN)
--	RFMG-1200A	Repair Kit (NOT SHOWN)
--	FMG-1200A/CL	Frame (Includes The Reinforcements) (NOT SHOWN)

NOTE: It is our policy to continually improve products and as such we reserve the right to alter data, specifications and component parts without prior notice.

IMPORTANT: No liability is accepted for incorrect use of product.

WARRANTY: Guarantee is 12 months from purchase date, proof of which will be required for any claim.