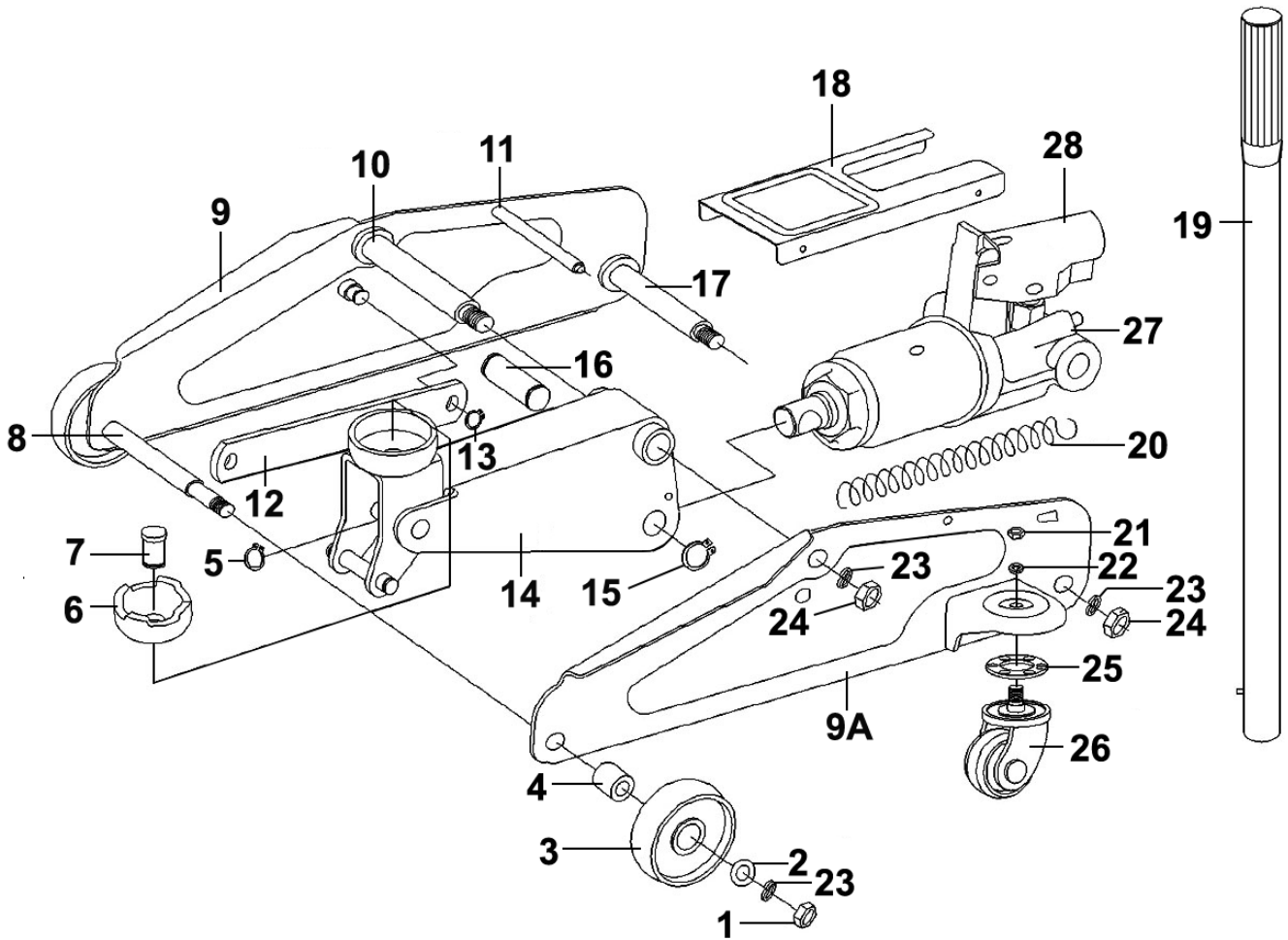


Parts Information:  
**Trolley Jack 3tonne Long Chassis Heavy-Duty**  
**Model No: 1153CX.V4**



Item	Part No.	Description
1	SN16.S	Steel Nut M16 Zinc
2	1153CX.V4-02	Washer
3	1153CX.V4-03	Wheel, Front Fixed (D:90 W:21 B:21)
4	1153CX.V4-04	Bushing
5	1030CXDK.08	Ext Circlip 11.8mm ID
6	1153CX.V4-06	Saddle
7	1153CX.V4-07	Saddle Pin
8	1153CX.V4-08	Front Wheel Shaft
9	1153CX.V4-09	Side plate (Left)
9A	1153CX.V4-09A	Side Plate (Right)
10	1153CX.V4-10	Lifting arm Spindle
11	1153CX.V4-11	Spindle, Side Member
12	1153CX.V4-12	Link Rod
13	1153CX.V4-13	C-Ring (S13)
14	1153CX.V4-14	Lifting Arm
15	1153CX.V4-15	Ext Circlip 20.3mm ID.
16	1153CX.V4-16	Link Shaft

Item	Part No.	Description
17	1153CX.V4-17	Anchor Bolt
18	1153CX.V4-18	Cover Plate
19	1153CX.V4-19	Jack Handle (Pinched Circle) 16mm
20	1153CX.V4-20	Return Spring Dia 17.8mm
21	SN10.S	Steel Nut M10 Zinc
22	SWM10.S	Spring Washer M10 Zinc
23	SWM16.S	Spring Washer M16 Zinc
24	SN16.S	Steel Nut M16 Zinc
25	1153CX.V4-25	Plastic Bearing Race
26	1153CX.V4-26	Wheel, Swivel Castor, Single Bolt
27	1153CX.V4-27	Power Unit Ass'y
28	1153CX.V4-28	Handle Socket
--	1100CXDV3-07	Pump Plunger Bolt (Not Shown)
--	1100CXDV3-09	Socket Bolt (Not Shown)
--	PH10.V4-P18	Torsion Spring Pin (Not Shown)
--	1153CX.V4-RK	Repair Kit For 1153CX (Not Shown)

**NOTE:** It is our policy to continually improve products and as such we reserve the right to alter data, specifications and component parts without prior notice. There may be alternative versions of this product, please contact us should you require this information.

**IMPORTANT:** No liability is accepted for incorrect use of product. Spare parts must be fitted by a competent person

**WARRANTY:** Guarantee is 12 months from purchase date, proof of which will be required for any claim.