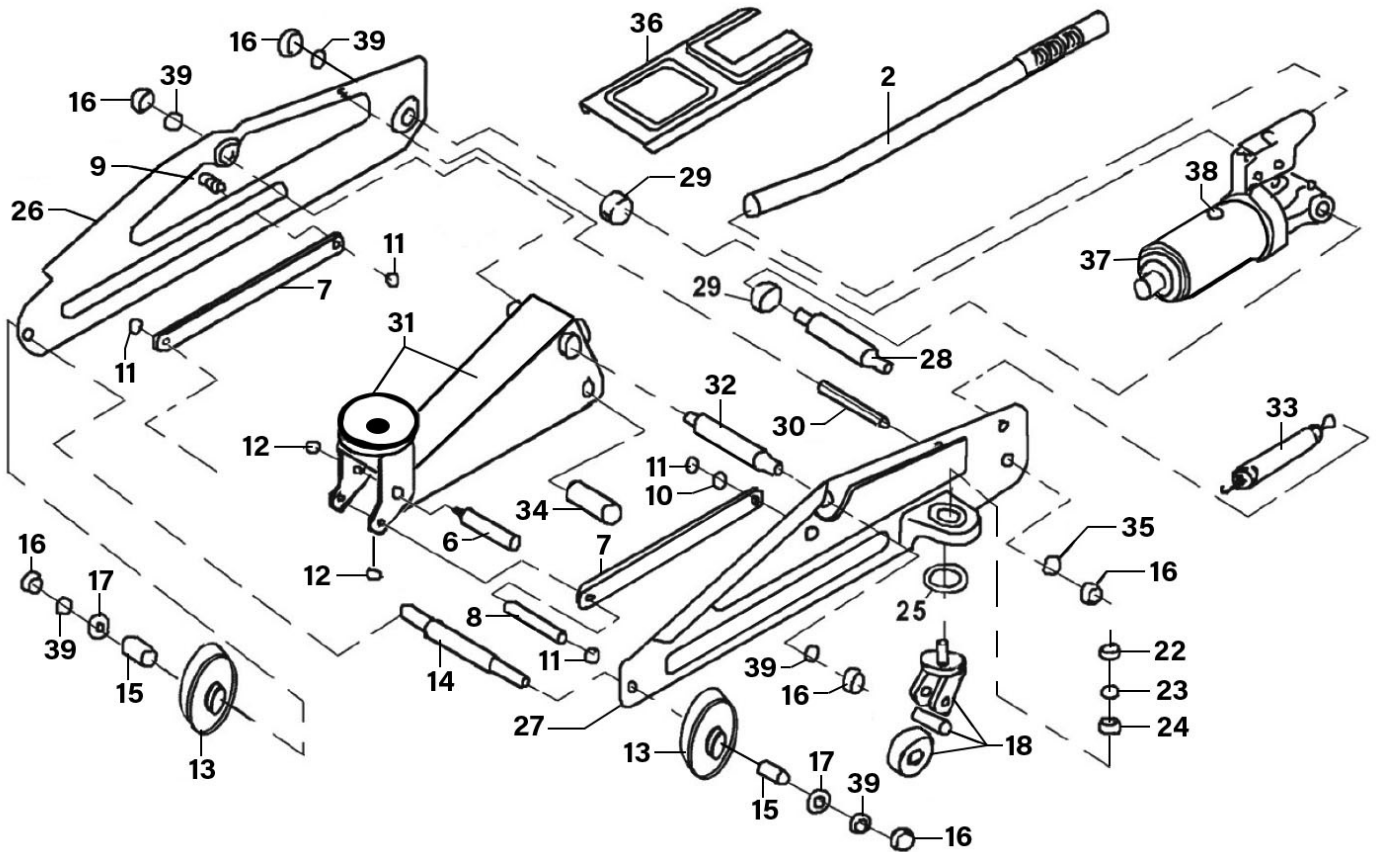


Parts Information:  
**Trolley Jack Yankee 3tonne Long Chassis  
 Heavy-Duty  
 Model No: 1153CX.V3**



Item	Part No.	Description
2	1153CX/02	Handle With Grip
6	1153CX/06	Spindle
7	1153CX/07	Radius Link
8	1153CX/08	Shaft Link
9	1153CX/09	Pin Link
10	1153CX/10	Washer
11	1030CXDK.08	External Circlip 11.8mm ID
12	1153CX/12	Retaining Ring
13	1153CX/13	Wheel, Front Fixed (D:75 W:20 B:24)
14	1153CX/14	Spindle
15	1153CX/15	Spacer
16	1153CX/16	Nut
17	FWM16.S	Flat Washer M16 Zinc
18	1153CX/CWA	Castor Ass'y Incl.Part 18,19,20,21. 40x17x11
22	SN10.S	Steel Nut M10 Zinc
23	1153CX/23	Lock washer
24	SWM10.SB	Spring Washer M10 Black

Item	Part No.	Description
25	1153CX/25	Plastic Bearing Race
26	1153CX/26	Side Member
27	1153CX/27	Side Member
28	1153CX/28	Bolt M16x144
29	1153CX/29	Spacer Tube
30	1153CX/30	Spindle
31	1153CX/31	Lifting Arm Ass'y (C/w Saddle Holder & Bracket)
32	1153CX/32	Spindle
33	1153CX/33	Return Spring Dia 18mm
34	1153CX/34	Pin
35	1153CX/35	Retaining Ring
36	1153CX/36	Plate
37	1153CX/37	Hydraulic Unit
38	3003CXQ-05	Oil Plug
39	1153CX/39	Spring Washer
--	1153CX/RK	Repair Kit (Not Shown)

**NOTE:** It is our policy to continually improve products and as such we reserve the right to alter data, specifications and component parts without prior notice. There may be alternative versions of this product, please contact us should you require this information.

**IMPORTANT:** No liability is accepted for incorrect use of product. Spare parts must be fitted by a competent person

**WARRANTY:** Guarantee is 12 months from purchase date, proof of which will be required for any claim.