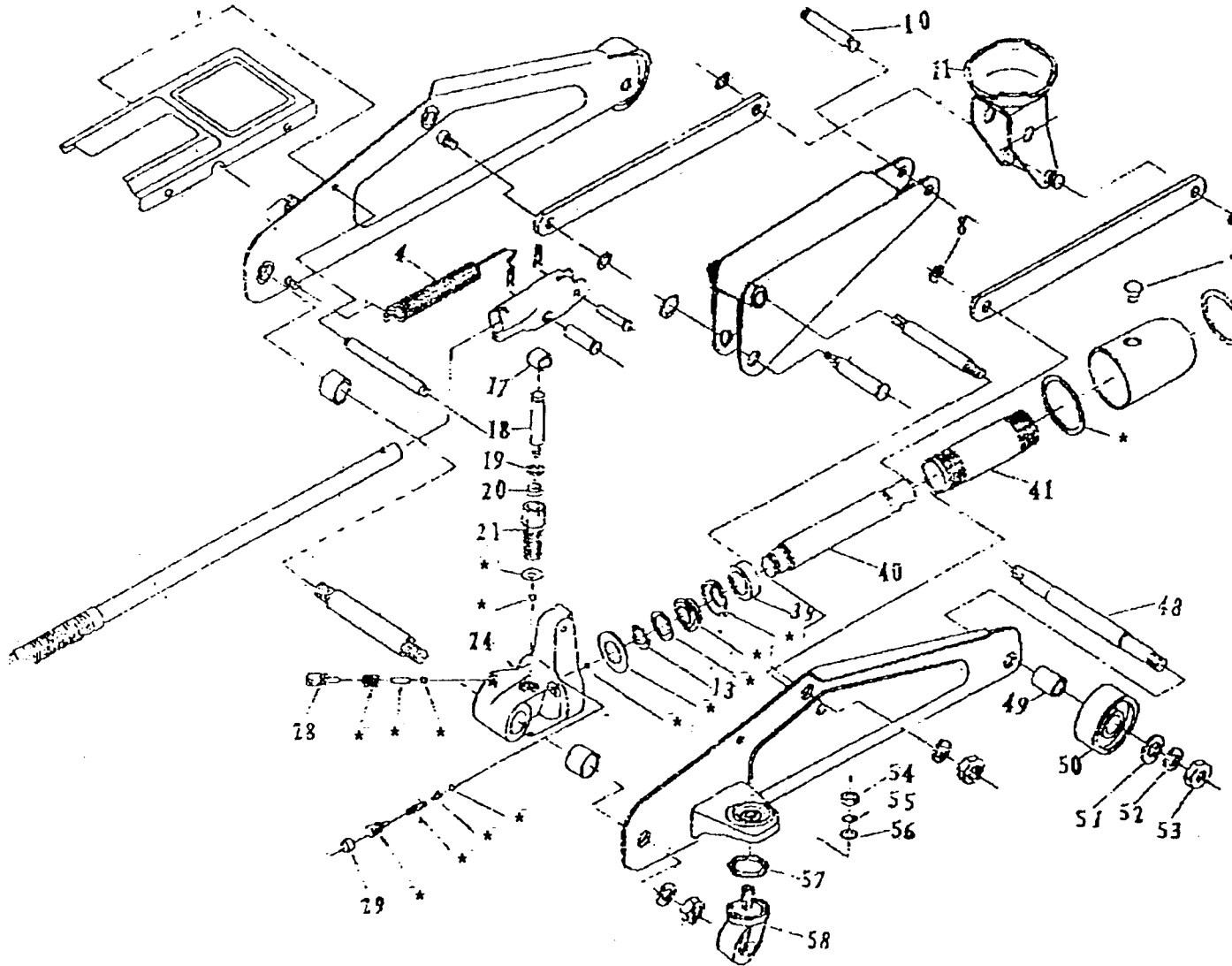


# 60CA 4 TON ACK



- RETURN SPRING
- PIN, SADDLE HOLDER
- SADDLE ASS'Y
- RETAINING RING
- CLIP, PISTON, PUMP
- PISTON, PUMP
- O-RING
- SEAL ASS'Y
- CYLINDER
- BASE
- RELEASE VALVE
- CAP, VALVE
- SPACER, RAM
- PLUNGER, RAM
- CYLINDER
- PLUG, FILLER
- FRONT AXLE
- BUSH, WHEEL
- WHEEL, FRONT
- WASHER
- LOCK WASHER
- NUT
- NUT
- LOCK WASHER
- WASHER
- BALL
- CASTER ASS'Y
- REPAIR KIT

\* IN REPAIR KIT

Original Date:	20/8/83
Issue Date:	23-11-83
Version Number:	0
Date Modified:	.....

