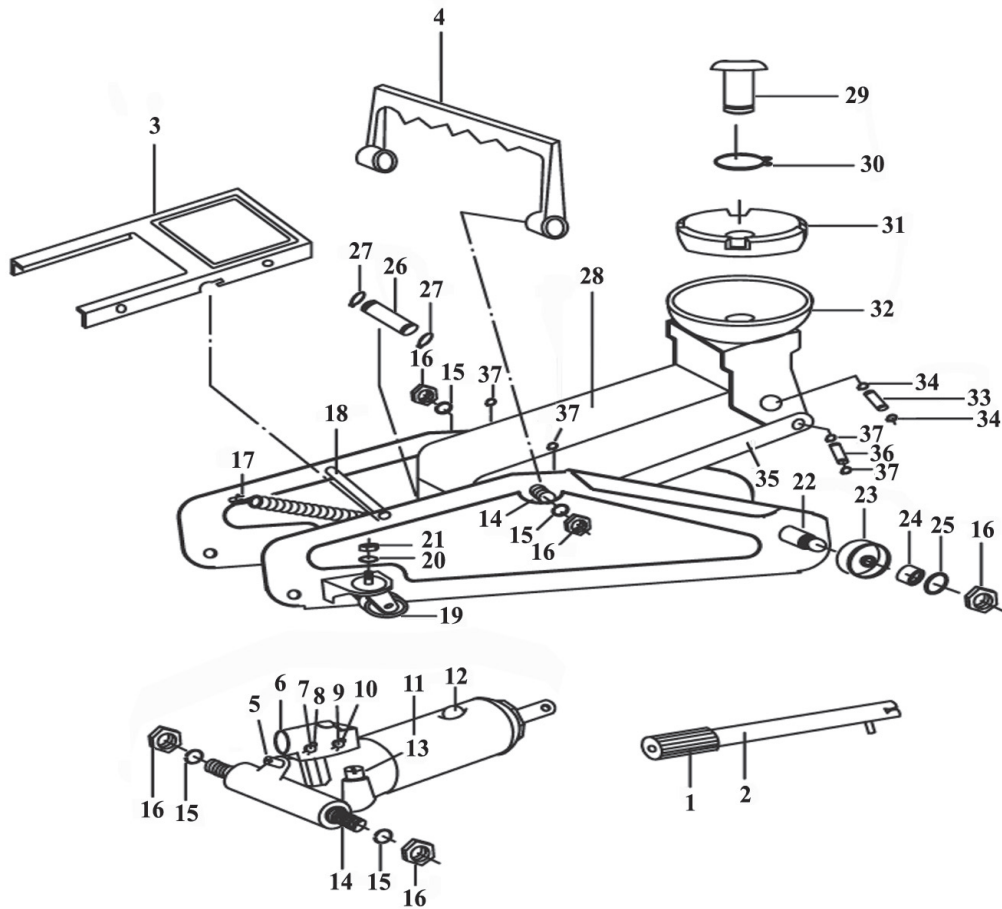


Parts Information:
**Trolley Jack 2tonne Short Chassis with
 Storage Case**
Model No: 1100CXD.V4



Item	Part No.	Description
1	1100CXDV3-01	HANDLE GRIP
2	1100CXDV3-02	HANDLE
3	1100CXDV4-03	COVER PLATE (BLACK)
4	1100CXDV4-04	PORTABLE HANDLE (BLACK)
5	1100CXDV3-05	RELEASE VALVE
6	1100CXDV4-06	HANDLE SOCKET (BLACK)
7	1100CXDV3-07	PUMP PLUNGER BOLT
8	1100CXDV3-08	COTTER PIN 1.4
9	1100CXDV3-09	SOCKET BOLT
10	1100CXDV3-10	COTTER PIN 1.2
11	1100CXDV4-11	POWER UNIT (BLACK)
12	3003CXQ-05	OIL PLUG
13	1100CXDV3-13	OVERLOAD VALVE
14	1100CXDV3-14	AXLE SHAFT
15	SWM12.S	SPRING WASHER M12 ZINC (SINGLE)
16	SN12.S	STEEL NUT M12 ZINC DIN934(SINGLE)
17	1100CXDV3-17	RETURN SPRING
18	1100CXDV3-18	FIXED WIDTH SHAFT 40x18x11
19	1100CXDV4-19	WHEEL,CASTOR (40x9x17x52) (BLACK)

Item	Part No.	Description
20	SWM10.S	SPRING WASHER M10 ZINC (SINGLE)
21	SN10.S	STEEL NUT M10 ZINC DIN934(SINGLE)
22	1100CXDV3-22	SHAFT, FRONT WHEEL
23	1100CXDV4-23	WHEEL,FRONT FIXED (66x19x18) (BLACK)
24	1100CXDV3-24	AXLE SLEEVE, FRONT WHEEL
25	FWM12.S	FLAT WASHER M12 SINGLE
26	1100CXDV3-26	LIFTING ARM PIVOT
27	1100CXDV3-27	SNAP RING "C" 17
28	1100CXDV3-28	LIFTING ARM WELDING
29	1100CXDV3-29	SHAFT, SADDLE
30	1100CXDV3-30	SNAP RING "C" 13
31	1100CXDV3-31	SADDLE
32	1100CXDV3-32	SADDLE HOLDER
33	1100CXDV3-33	U-BRACKET DOWEL
34	1100CXDV3-34	SNAP RING "C" 12
35	1100CXDV4-35	LINKAGE (BLACK)
36	1100CXDV3-36	LINKAGE JOINTER
37	1100CXDV3-37	SNAP RING "C" 10
--	1100CXDV3-SC	STORAGE CASE (not shown)

NOTE: It is our policy to continually improve products and as such we reserve the right to alter data, specifications and component parts without prior notice.

IMPORTANT: No liability is accepted for incorrect use of product.

WARRANTY: Guarantee is 12 months from purchase date, proof of which will be required for any claim.