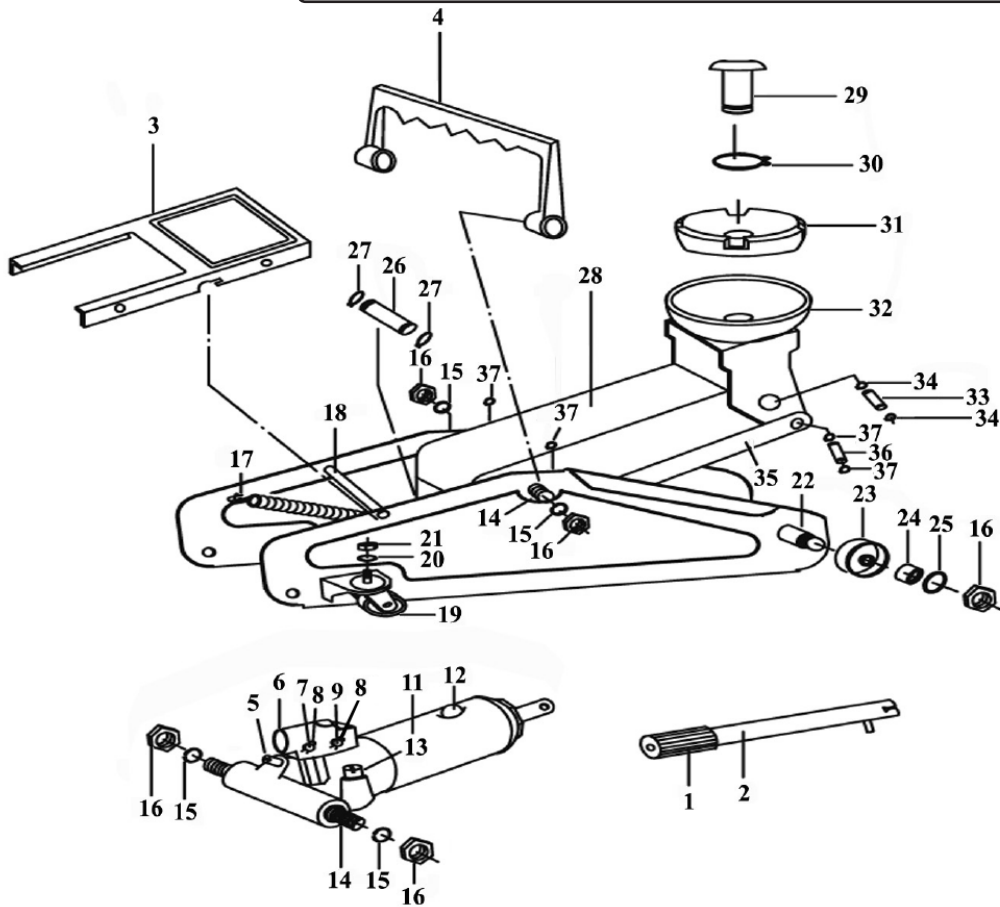


Parts Information:
Trolley Jack 2tonne Short Chassis with Storage Case
Model No: 1100CXD.V3



Item	Part No.	Description
1	1100CXD.V3-01	Handle Grip
2	1100CXD.V3-02	Handle
3	1100CXD.V3-03	Cover Plate
4	1100CXD.V3-04	Portable Handle
5	1100CXD.V3-05	Release Valve
6	1100CXD.V3-06	Handle Socket
7	1100CXD.V3-07	Pump Plunger Bolt
8	PH10.V4-P18	R-Clip 1.4mm
9	1100CXD.V3-09	Socket Bolt
11	1100CXD.V3-11	Power Unit
12	3003CXQ-05	Oil Plug
13	1100CXD.V3-13	Overload Valve
14	1100CXD.V3-14	Axle Shaft
15	SWM12.S	Spring Washer M12 Zinc
16	SN12.S	Steel Nut M12 Zinc
17	1100CXD.V3-17	Return Spring Dia 16.2mm
18	1100CXD.V3-18	Fixed Width Shaft 40x18x11
19	1100CXD.V3-19	Wheel, Swivel Castor, Single Bolt
20	SWM10.S	Spring Washer M10 Zinc

Item	Part No.	Description
21	SN10.S	Steel Nut M10 Zinc
22	1100CXD.V3-22	Shaft, Front Wheel
23	1100CXD.V3-23	Wheel, Front fixed
24	1100CXD.V3-24	Axle Sleeve, Front Wheel
25	FWM12.S	Flat Washer M12 Zinc
26	1100CXD.V3-26	Lifting Arm Pivot
27	1100CXD.V3-27	Ext Circlip 15.6mm ID.
28	1100CXD.V3-28	Lifting arm
29	1100CXD.V3-29	Shaft, Saddle
30	1030CXDK.08	Ext Circlip 11.8mm ID.
31	1100CXD.V3-31	Saddle
32	1100CXD.V3-32	Saddle Holder
33	1100CXD.V3-33	U-Bracket Dowel
34	RE231.18	Ext Circlip 10.8 ID
35	1100CXD.V3-35	Linkage
36	1100CXD.V3-36	Linkage Jointer
37	1100CXD.V3-37	Snap Ring "C" 10
--	1100CXD.V3-SC	Storage Case (Not Shown)

NOTE: It is our policy to continually improve products and as such we reserve the right to alter data, specifications and component parts without prior notice. There may be alternative versions of this product, please contact us should you require this information.

IMPORTANT: No liability is accepted for incorrect use of product. Spare parts must be fitted by a competent person

WARRANTY: Guarantee is 12 months from purchase date, proof of which will be required for any claim.