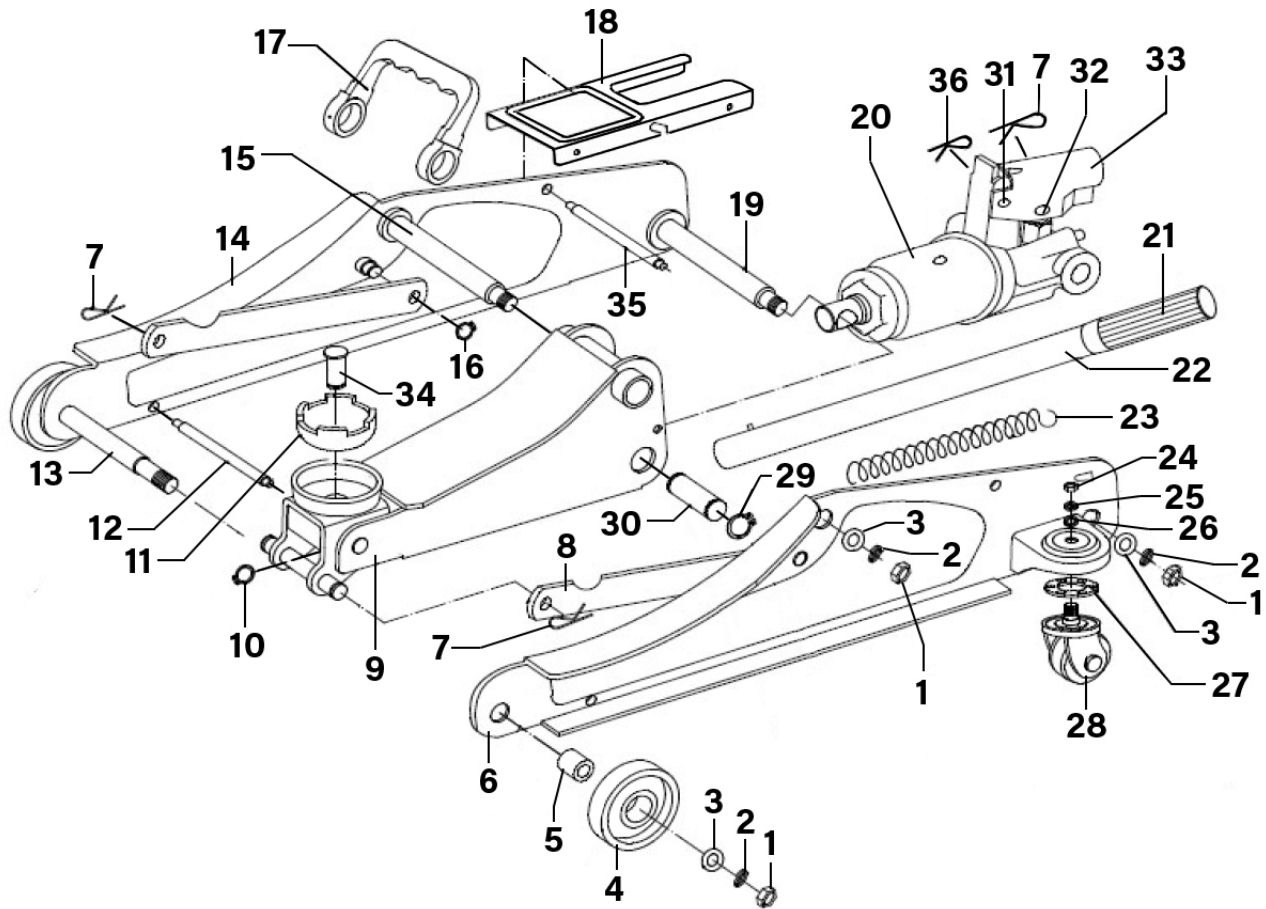


Parts Information:  
**Trolley Jack 2tonne Low Profile Short Chassis**  
**Model No: 1050CXLE.V3**



Item	Part No.	Description	Qty
1	SN12.S	Steel Nut M12 Zinc	6
2	SWM12.S	Spring Washer M12 Zinc	6
3	FWM12.S	Flat Washer M12 Zinc	6
4	1050CXLE.V3-04	Wheel, Front, Fixed (D: 65 W: 20 B: 18)	2
5	1050CXLE.V3-05	Front Wheel Bush	2
6	1050CXLE.V3-06	Left Side Plate	1
7	1050CXLE.V3-07	R - Clip	3
8	1050CXLE.V3-08	Connecting Rod	2
9	1050CXLE.V3-09	Lifting Arm	1
10	1050CXLE.V3-10	External Circlip	1
11	1050CXLE.V3-11	Saddle, White Serrated Cup (F) Ø 48mm	1
12	1050CXLE.V3-12	Limit Rod	1
13	1050CXLE.V3-13	Front Wheel Shaft	1
14	1050CXLE.V3-14	Right Side Plate	1
15	1050CXLE.V3-15	Lifting Arm Shaft	1
16	1050CXLE.V3-16	External Circlip	2
17	1050CXLE.V3-17	Carry Handle	1
18	1050CXLE.V3-18	Cover Plate	1

Item	Part No.	Description	Qty
19	1050CXLE.V3-19	Pump Shaft	1
20	1050CXLE.V3-20	Pump Complete	1
21	1050CXLE.V3-21	Handle Grip	1
22	1050CXLE.V3-22	Handle	1
23	1050CXLE.V3-23	Tension Spring	1
24	SN8.S	Steel Nut M8 Zinc	2
25	SWM8.S	Spring Washer M8 Zinc	2
26	FWM8.S	Flat Washer M8 Zinc	2
27	1050CXLE.V3-27	Bearing Race	2
28	1050CXLE.V3-28	Wheel, Swivel Castor, Single Bolt (D: 40 W: 18 B: 10 H: 70)	2
29	1050CXLE.V3-29	External Circlip	2
30	1050CXLE.V3-30	Connecting Shaft	1
31	1050CXLE.V3-31	Handle Socket Pin	1
32	1050CXLE.V3-32	Pump Core Pin	1
33	1050CXLE.V3-33	Handle Socket	1
34	1050CXLE.V3-34	Saddle Pin	1
35	1050CXLE.V3-35	Support Shaft	1
36	1050CXLE.V3-36	R - Clip	1

**NOTE:** It is our policy to continually improve products and as such we reserve the right to alter data, specifications and component parts without prior notice. There may be alternative versions of this product, please contact us should you require this information.

**IMPORTANT:** No liability is accepted for incorrect use of product. Spare parts must be fitted by a competent person

**WARRANTY:** Guarantee is 12 months from purchase date, proof of which will be required for any claim.