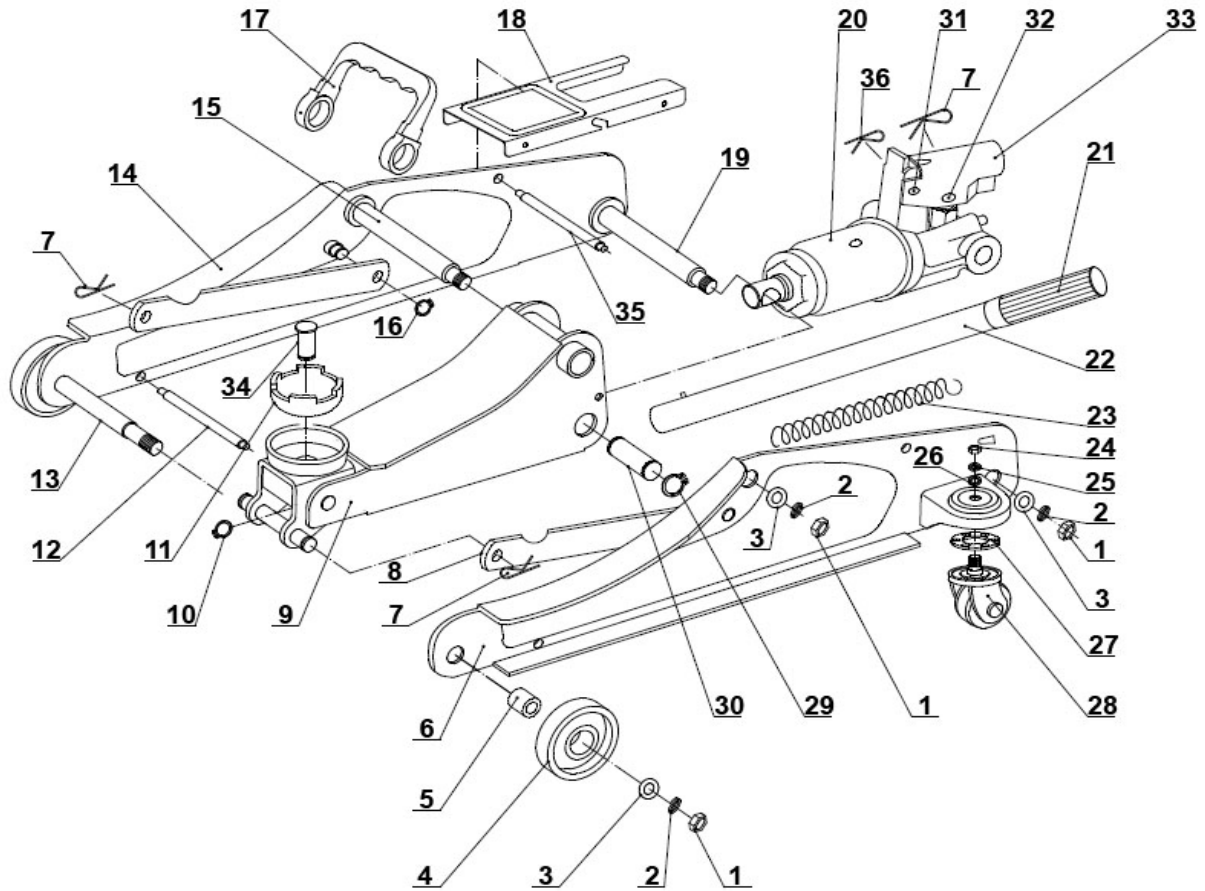


Parts Information:
Trolley Jack 2tonne Low Entry Short Chassis
Model No: 1050CXLE.V3



Item	Part No.	Description
1	SN12.S	Steel Nut M12 Zinc
2	SWM12.S	Spring Washer M12 Zinc
3	FWM12.S	Flat Washer M12 Zinc
4	1050CXLE.V3-04	Front Wheel
5	1050CXLE.V3-05	Front Wheel Bush
6	1050CXLE.V3-06	Left Side Plate
7	1050CXLE.V3-07	R - Clip
8	1050CXLE.V3-08	Connecting Rod
9	1050CXLE.V3-09	Lifting Arm
10	1050CXLE.V3-10	External Circlip
11	1050CXLE.V3-11	Saddle
12	1050CXLE.V3-12	Limit Rod
13	1050CXLE.V3-13	Front Wheel Shaft
14	1050CXLE.V3-14	Right Side Plate
15	1050CXLE.V3-15	Lifting Arm Shaft
16	1050CXLE.V3-16	External Circlip
17	1050CXLE.V3-17	Carry Handle
18	1050CXLE.V3-18	Cover Plate

Item	Part No.	Description
19	1050CXLE.V3-19	Pump Shaft
20	1050CXLE.V3-20	Pump Complete
21	1050CXLE.V3-21	Handle Grip
22	1050CXLE.V3-22	Handle
23	1050CXLE.V3-23	Tension Spring
24	SN8.S	Steel Nut M8 Zinc
25	SWM8.S	Spring Washer M8 Zinc
26	FWM8.S	Flat Washer M8 Zinc
27	1050CXLE.V3-27	Bearing Race
28	1050CXLE.V3-28	Castor Wheel Assembly
29	1050CXLE.V3-29	External Circlip
30	1050CXLE.V3-30	Connecting Shaft
31	1050CXLE.V3-31	Handle Socket Pin
32	1050CXLE.V3-32	Pump Core Pin
33	1050CXLE.V3-33	Handle Socket
34	1050CXLE.V3-34	Saddle Pin
35	1050CXLE.V3-35	Support Shaft
36	1050CXLE.V3-36	R - Clip

NOTE: It is our policy to continually improve products and as such we reserve the right to alter data, specifications and component parts without prior notice. There may be alternative versions of this product, please contact us should you require this information.

IMPORTANT: No liability is accepted for incorrect use of product. Spare parts must be fitted by a competent person

WARRANTY: Guarantee is 12 months from purchase date, proof of which will be required for any claim.