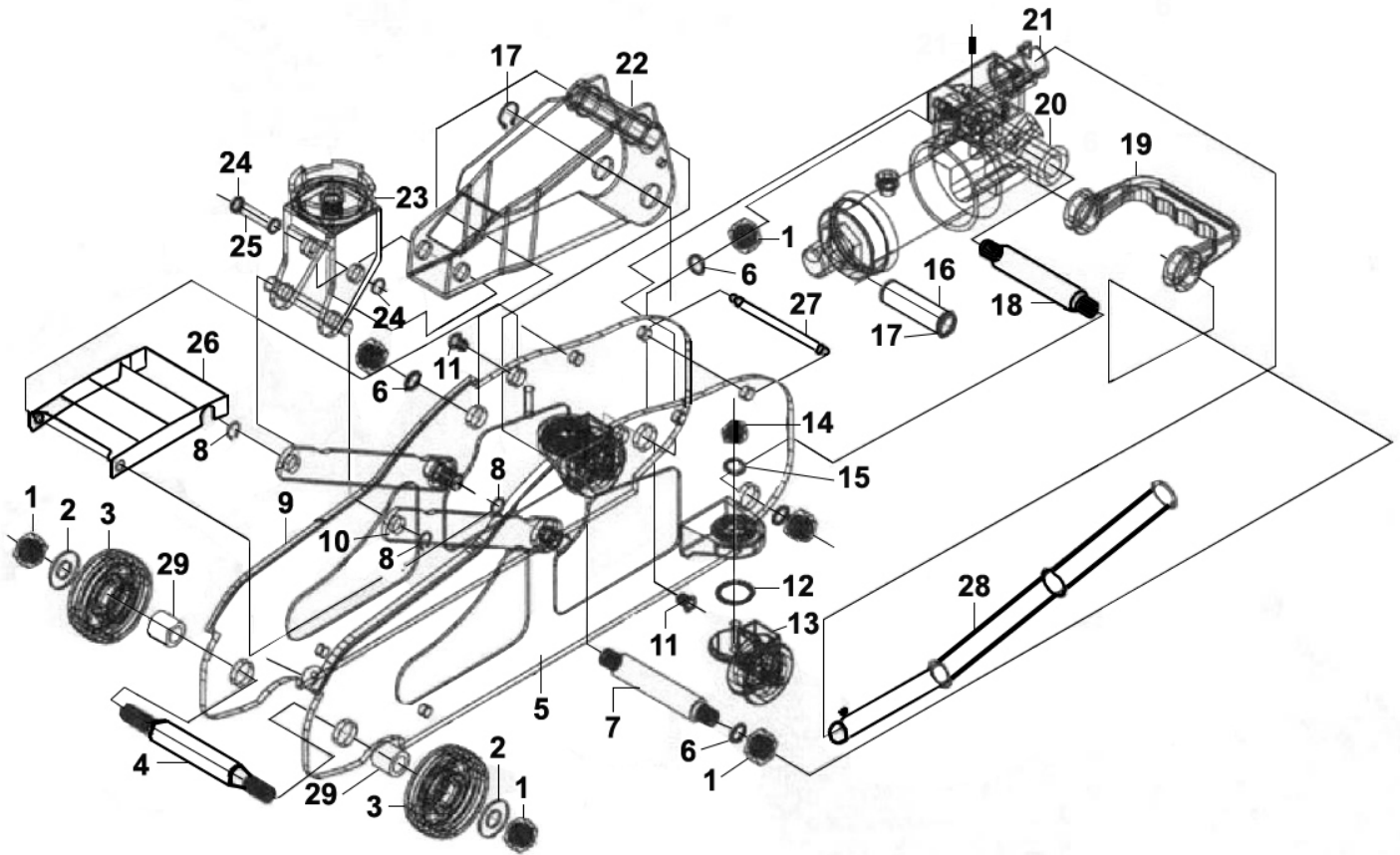


Parts Information:
Trolley Jack 2tonne Low Entry Short Chassis
Model No: 1050CXLE



Item	Part No.	Description
1	SN12.S	Steel Nut M12 Zinc
2	FWM12.S	Flat Washer M12 Zinc
3	1050CXLE.03	Wheel,front fixed
4	1050CXLE.04	Front Wheel Shaft
5	1050CXLE.05	Side Member, Left
6	SWM12.S	Spring Washer M12 Zinc
7	1050CXLE.07	Support Shaft
8	1050CXLE.08	Ext Circlip 13.5mm ID.
9	1050CXLE.09	Side Member, Right
10	1050CXLE.10	Radius Link
11	1050CXLE.11	Side Plate Screw
12	1050CXLE.12	Steel Ball
13	1050CX.V3-24	Wheel,Swivel Castor, Single Bolt
14	1050CXLE.14	Nut
15	SWM8.S	Spring Washer M8 Zinc

Item	Part No.	Description
16	1050CXLE.16	Piston Rod Shaft
17	GSA671.16	Ext Circlip 11.8mm ID.
18	1050CXLE.18	Base Shaft
19	1050CXLE.19	Carrying Handle
20	1050CXLE.20	Power Unit Ass'y
21	1050CXLE.21	Handle Socket
22	1050CXLE.22	Lifting Arm Unit
23	1050CXLE.23	Saddle Unit
24	SM35CEV4-098	Ext Circlip 15.8mm ID
25	1050CXLE.25	Lifting Arm Shaft
26	1050CXLE.26	Cover Plate
27	1050CXLE.27	Support Shaft
28	1050CXLE.28	Handle
29	1050CXLE.29	Wheel Bush

NOTE: It is our policy to continually improve products and as such we reserve the right to alter data, specifications and component parts without prior notice. There may be alternative versions of this product, please contact us should you require this information.

IMPORTANT: No liability is accepted for incorrect use of product. Spare parts must be fitted by a competent person

WARRANTY: Guarantee is 12 months from purchase date, proof of which will be required for any claim.