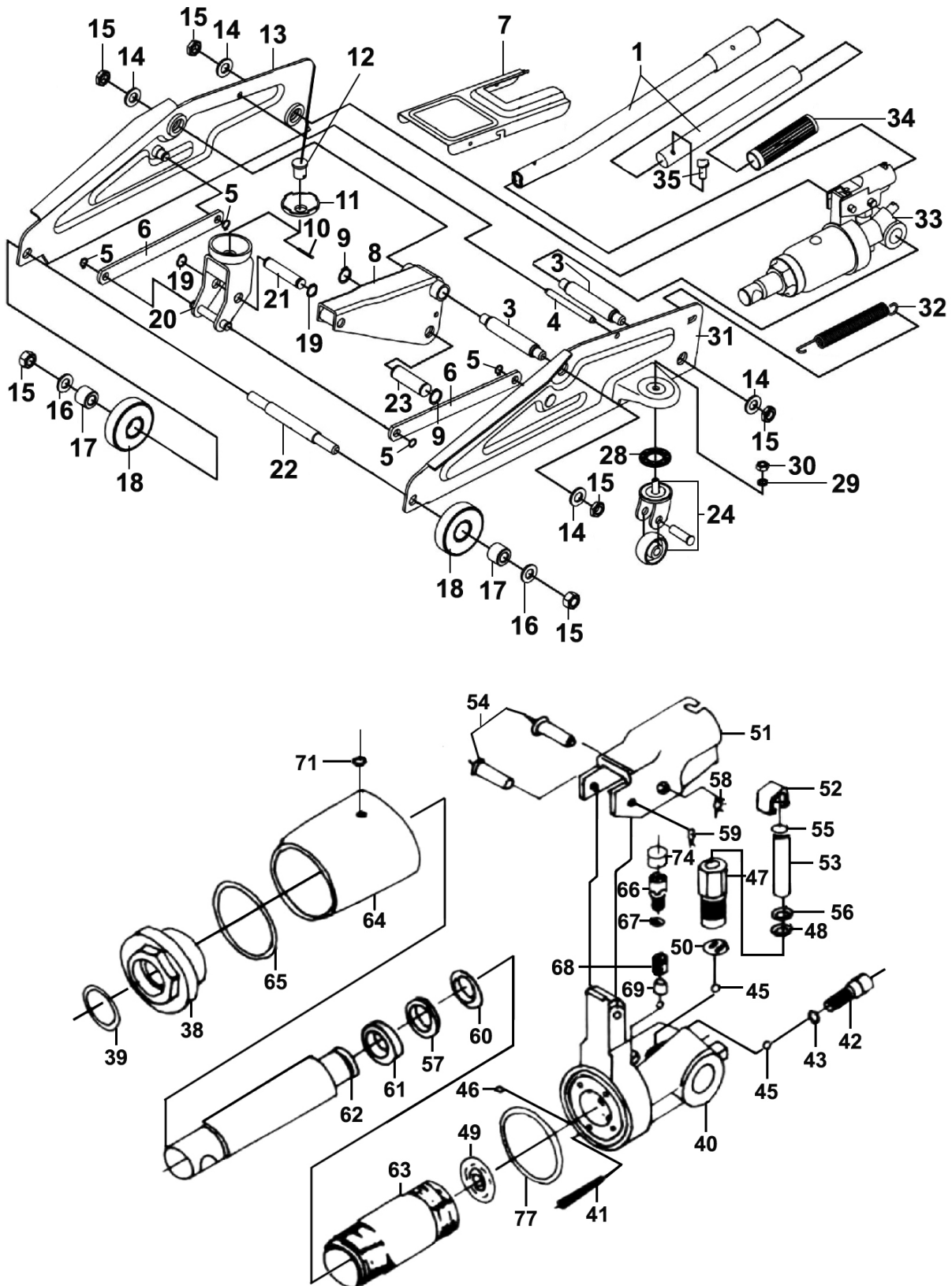


Parts Information:
**Trolley Jack 2tonne Short Chassis with
 Storage Case**
Model No: 1050CXD.V2



NOTE: It is our policy to continually improve products and as such we reserve the right to alter data, specifications and component parts without prior notice. There may be alternative versions of this product, please contact us should you require this information.

IMPORTANT: No liability is accepted for incorrect use of product. Spare parts must be fitted by a competent person

WARRANTY: Guarantee is 12 months from purchase date, proof of which will be required for any claim.



Parts Information:
**Trolley Jack 2tonne Short Chassis with
 Storage Case**
Model No: 1050CXD.V2

Item	Part No.	Description
1	1050CX.V3-01	Handle Complete (Inc Rubber Grip - 1pc)
3	1050CX.V3-03	Supporting Shaft
4	1050CX.V3-04	Side Member
5	1050CX.V3-05	Retaining Ring
6	1050CX.V3-06	Radius Link
7	1050CX.V4-11	Cover Plate
8	1050CX.V4-13	Lifting Arm
9	1050CX.V3-09	Retaining Ring
10	1050CX.V3-10	Pin (2x20)
11	1050CX.V3-11	Saddle
12	1050CX.V3-12	Pin, Mount Saddle
13	1050CX.V3-13	Side Member (RH)
14	1050CX.V3-14	Washer
15	SN12.S	Steel Nut M12 Zinc
16	1050CX.V3-16	Washer (12mm)
17	1050CX.V3-17	Wheel Spacer
18	1050CX.V3-18	Wheel, Front Fixed (D:65 W:18 B:19)
19	1050CX.V3-19	Retaining Ring
20	1050CX.V3-20	Saddle Assembly
21	1050CX.V3-21	Pin, Saddle Bracket
22	1050CX.V3-22	Spindle, Front Wheel
23	1050CX.V3-23	Piston Rod Pin
24	1050CX.V3-24	Wheel, Swivel Castor, Single Bolt (D:40 W:17 B:10 H:68)
28	1050CX.V3-28	Bearing Race
29	1050CX.V3-29	Washer
30	SN8.S	Steel Nut M8 Zinc
31	1050CX.V3-31	Side member (LH)
32	1050CX.V3-32	Return Spring Dia 15.5mm
33	1050CX.V3-33	Hydraulic Unit
34	1050CX.V3-34	Cap, Handle
35	SS612.S	Bolt M6x12
38	1050CX.V3-38	Top Nut
39	1050CX.V3-39	O-ring, Seal Ram

Item	Part No.	Description
40	1050CX.V3-40	Body, Hydraulic Unit
41	1050CX.V3-41	Screw, Body
42	1050CX.V3-42	Release Valve
43	1050CX.V3-43	O-ring seal, Release Valve
45	1050CX.V3-45	Steel Ball
46	1050CX.V3-46	Steel Ball
47	1050CX.V3-47	Cylinder, Pump
48	1050CX.V3-48	O-Ring Seal, Pump Cylinder
49	1050CX.V3-49	Washer
50	1050CX.V3-50	Screen, Washer Pump
51	1050CX.V3-51	Handle Sleeve
52	1050CX.V3-52	Link Piston
53	1050CX.V3-53	Piston Pin
54	1050CX.V3-54	Connector Pin
55	1050CX.V3-55	Piston
56	1050CX.V3-56	Back-Up Ring
57	1050CX.V3-57	Back-Up Ring
58	1050CX.V3-58	Set Pin
59	1050CX.V3-59	Set Pin
60	1050CX.V3-60	Cap-Ring
61	1050CX.V3-61	Collar, Ram
62	1050CX.V3-62	Ram
63	1050CX.V3-63	Cylinder, Ram
64	1050CX.V3-64	Oil Chamber
65	1050CX.V3-65	Fibre Washer
66	1050CX.V3-66	Overload Valve, Adjusting screw
67	1050CX.V3-67	O-Ring Seal
68	1050CX.V3-68	Spring
69	1050CX.V3-69	Spring Guide Overload Valve
71	1050CX.V3-71	Filler Plug
74	1050CX.V3-74	Covering
77	1050CX.V3-77	Fibre Washer, Oil Chamber
--	1050CXD.V3-C	Blow Mould Case (Not Shown)

NOTE: It is our policy to continually improve products and as such we reserve the right to alter data, specifications and component parts without prior notice. There may be alternative versions of this product, please contact us should you require this information.

IMPORTANT: No liability is accepted for incorrect use of product. Spare parts must be fitted by a competent person

WARRANTY: Guarantee is 12 months from purchase date, proof of which will be required for any claim.

Sealey Group, Kempson Way, Suffolk Business Park, Bury St Edmunds, Suffolk. IP32 7AR



01284 757500



01284 703534



sales@sealey.co.uk



www.sealey.co.uk