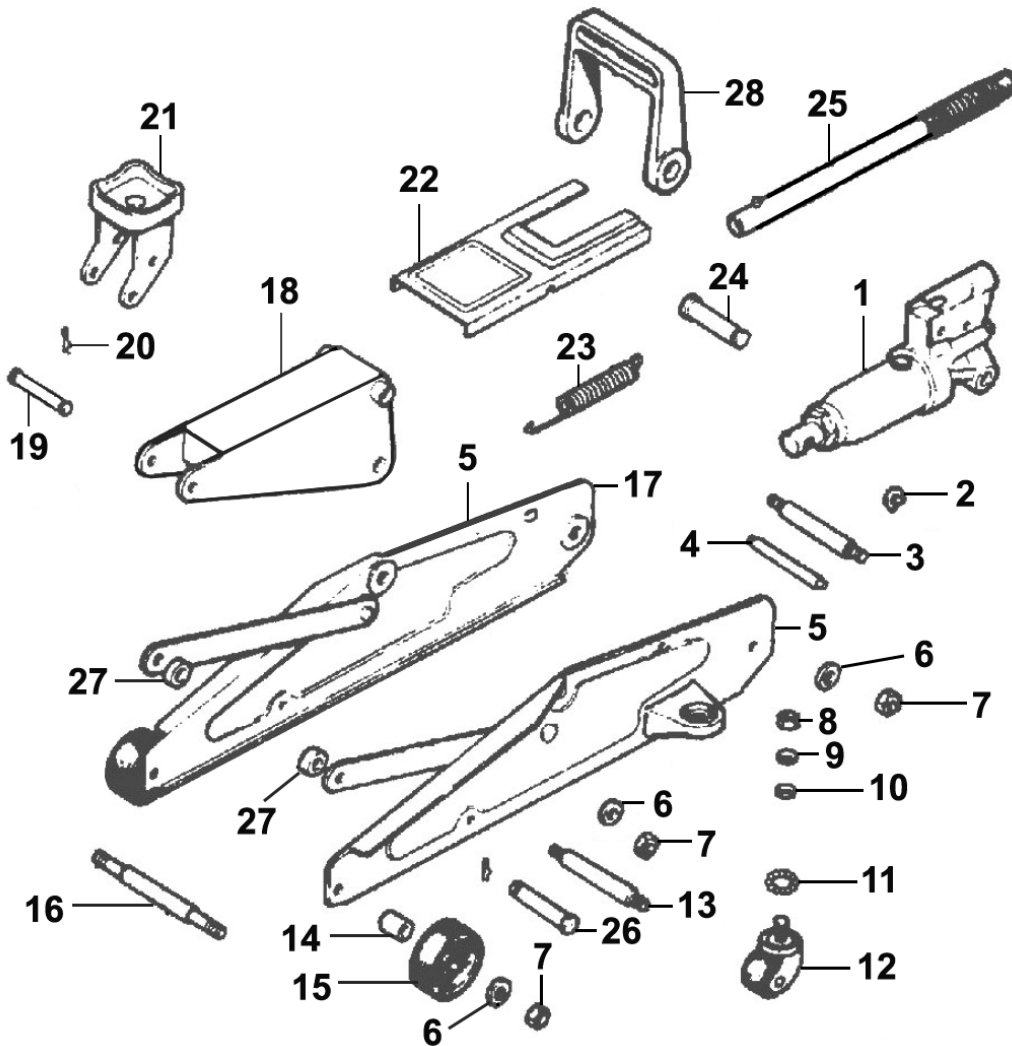


Parts Information:
**Trolley Jack 2tonne Short Chassis with
 Storage Case**
Model No: 1050CXD



Item	Part No.	Description
1	1050CX.V2-01	Hydraulic Unit
2	1050CX.V2-02	Valve Guide Seal "C"
3	1050CX.V2-03	Brass Shaft
4	1050CX.V2-04	Side Frame Spindle
5	1050CX.V2-05	Side Frame Assembly (L)
6	1050CX.V2-06	Washer
7	SN12.S	Steel Nut M12 Zinc
8	SN8.S	Steel Nut M8 Zinc
9	1050CX.V2-09	Plastic Washer M6
10	FWM8.S	Flat Washer M8 Zinc
11	1050CX.V2-11	Plastic Bearing Race
12	1050CX.V3-24	Wheel, Swivel Castor, Single Bolt
13	1050CX.V2-13	Lifting Arm Spindle
14	1050CX.V2-14	Front Wheel Spacer
15	1050CX.V2-15	Wheel, Front Fixed (D:65 W:20 B:20)

Item	Part No.	Description
16	1050CX.V2-16	Front Wheel Spindle
17	1050CX.V2-17	Side Frame Assembly (R)
18	1050CX.V2-18	Lifting Arm Unit
19	1050CX.V2-19	Lifting Arm Bar
20	1050CXLE.08	Ext Circlip 13.5mm ID.
21	1050CX.V2-21	Saddle Mount
22	1050CX.V2-22	Cover Plate
23	1050CX.V2-23	Return Spring Dia 15.06mm
24	1050CX.V2-24	Piston Rod Axle
25	1050CX.V2-25	Handle
26	1050CX.V2-26	Shaft Link
27	1050CX.V2-27	Spacer
28	1050CX.V2-28	Carrying Handle
--	1050CXD.V2-C	Blow Moulded Case (Not Shown)

NOTE: It is our policy to continually improve products and as such we reserve the right to alter data, specifications and component parts without prior notice. There may be alternative versions of this product, please contact us should you require this information.

IMPORTANT: No liability is accepted for incorrect use of product. Spare parts must be fitted by a competent person

WARRANTY: Guarantee is 12 months from purchase date, proof of which will be required for any claim.