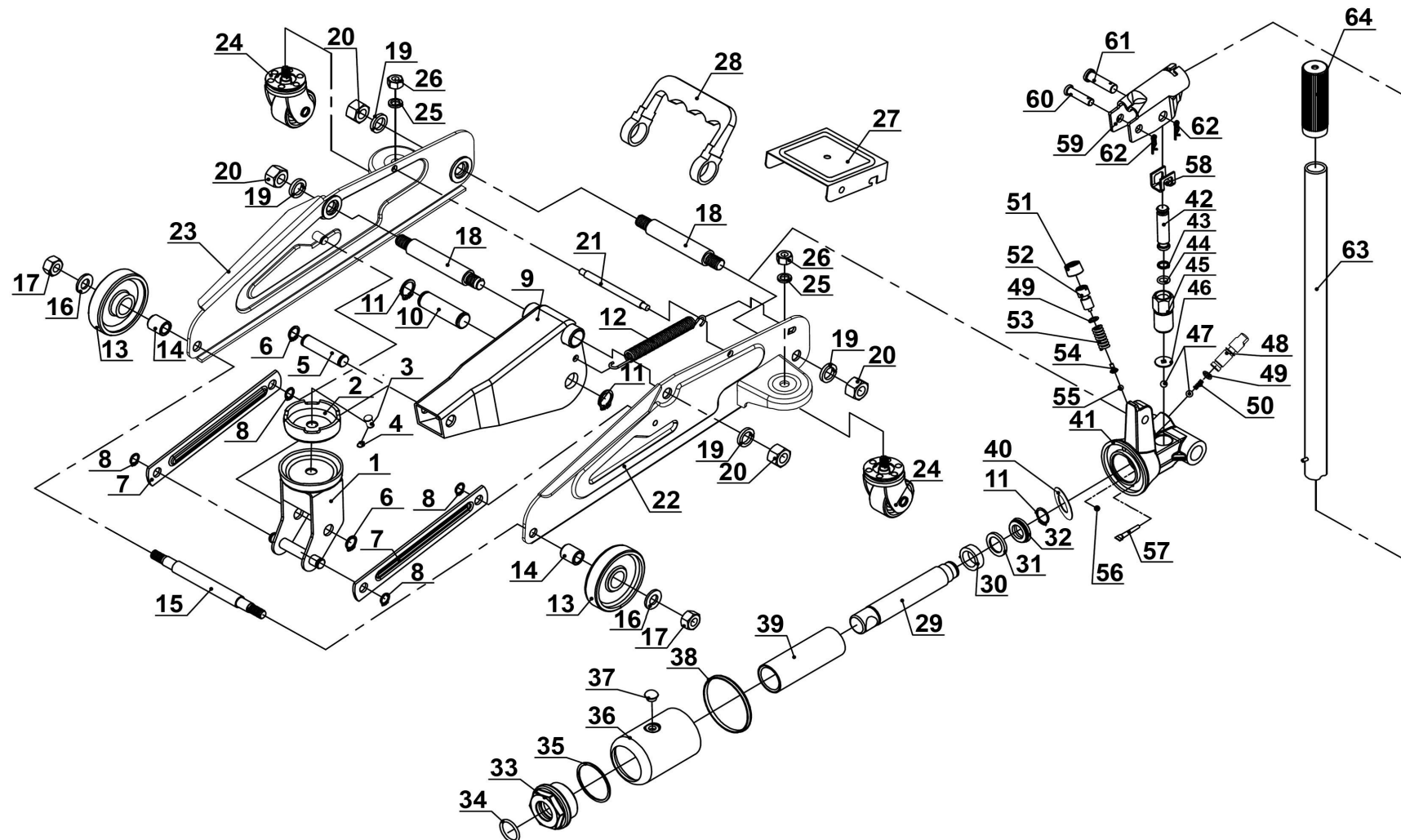




Parts Information:
Trolley Jack 2tonne Short Chassis
Model No: 1050CX.V5



NOTE: It is our policy to continually improve products and as such we reserve the right to alter data, specifications and component parts without prior notice.

There may be alternative versions of this product, please contact us should you require this information.

IMPORTANT: No liability is accepted for incorrect use of product. Spare parts must be fitted by a competent person

WARRANTY: Guarantee is 12 months from purchase date, proof of which will be required for any claim.

Sealey Group, Kempson Way, Suffolk Business Park, Bury St Edmunds, Suffolk. IP32 7AR



01284 757500



01284 703534



sales@sealey.co.uk



www.sealey.co.uk



Parts Information:
Trolley Jack 2tonne Short Chassis
Model No: 1050CX.V5

Item	Part No.	Description
1	1050CX.V5-01	Saddle Base
2	1050CX.V5-02	Saddle
3	1050CX.V5-03	Saddle Pin
4	1020LEV3-08	External Circlip 13.0mm ID.
5	1050CX.V5-05	Axle
6	1020LEV3-09	External Circlip 12.0mm ID.
7	1050CX.V5-07	Radius Link
8	1050CX.V5-08	External Circlip
9	1050CX.V5-09	Lifting Arm Assembly
10	1050CX.V5-10	Ram Plunger Axle
11	1050CX.V5-11	External Circlip
12	1050CX.V5-12	Return Spring
13	1050CX.V5-13	Front Wheel
14	1050CX.V5-14	Wheel Bush
15	1050CX.V5-15	Front Axle
16	FWM10.S	Flat Washer M10 Zinc
17	SN10.S	Steel Nut M10 Zinc
18	1050CX.V5-18	Frame Pin
19	SWM12.S	Spring Washer M12 Zinc
20	SN12.S	Steel Nut M12 Zinc
21	1050CX.V5-21	Frame Tie Rod
22	1050CX.V5-22	Side Frame, Left
23	1050CX.V5-23	Side Frame, Right
24	1050CX.V5-24	Rear Castor Wheel Assembly
25	SWM8.S	Spring Washer M8 Zinc
26	NLN8.S	Nyloc Nut M8 Zinc
27	1050CX.V5-27	Cover Plate
28	1050CX.V5-28	Carry Handle
29	1050CX.V5-29	Ram Piston
30	1020LEV3-39	Bushing Cover
31	1020LEV3-40	Back-up Washer
32	1020LEV3-41	U-Cup Seal
33	1050CX.V5-33	Top Nut

Item	Part No.	Description
34	1020LEV3-31	O-Ring (Ø25 × Ø3.55)
35	1020LEV3-32	Seal Ring
36	1050CX.V5-36	Reservoir
37	1020LEV3-34	Oil Seal
38	1020LEV3-35	Wedge Ring
39	1050CX.V5-39	Cylinder
40	1020LEV3-37	Flat Washer (Ø34 x Ø23 x 0.8)
41	1050CX.V5-41	Base
42	1050CX.V5-42	Pump Piston
43	1020LEV3-58	Back-up Washer
44	1020LEV3-57	O-Ring (Ø7.7 × Ø1.9)
45	1050CX.V5-45	Pump
46	1020LEV3-55	Flat Washer (Ø16 x 4 x 4 x 1)
47	SB-6.1	Steel Ball 6.1mm
48	1050CX.V5-48	Release Valve
49	1020LEV3-51	O-Ring (Ø6 × Ø3)
50	1050CX.V5-50	Release Valve Spring
51	1050CX.V5-51	Protection Cap
52	1050CX.V5-52	Safety Valve Screw
53	1050CX.V5-53	Safety Valve Spring
54	1050CX.V5-54	Safety Valve Base
55	SB-4.0	Steel Ball 4.0mm
56	SB-5.0	Steel Ball 5.0mm
57	1020LEV3-43	Filter
58	1050CX.V5-58	Connection Sleeve
59	1050CX.V5-59	Handle Socket
60	1050CX.V5-60	Handle Socket Pin (A)
61	1050CX.V5-61	Handle Socket Pin (B)
62	1050CX.V5-62	Handle Socket Retaining Pin
63	1050CX.V5-63	Handle
64	1050CX.V5-64	Handle Grip
--	1050CX.V5-HU	Hydraulic Unit Complete (not shown)
--	1050CX.V5-RK	Repair Kit (not shown)

NOTE: It is our policy to continually improve products and as such we reserve the right to alter data, specifications and component parts without prior notice. There may be alternative versions of this product, please contact us should you require this information.

IMPORTANT: No liability is accepted for incorrect use of product. Spare parts must be fitted by a competent person

WARRANTY: Guarantee is 12 months from purchase date, proof of which will be required for any claim.

Sealey Group, Kempson Way, Suffolk Business Park, Bury St Edmunds, Suffolk. IP32 7AR



01284 757500



01284 703534



sales@sealey.co.uk



www.sealey.co.uk