

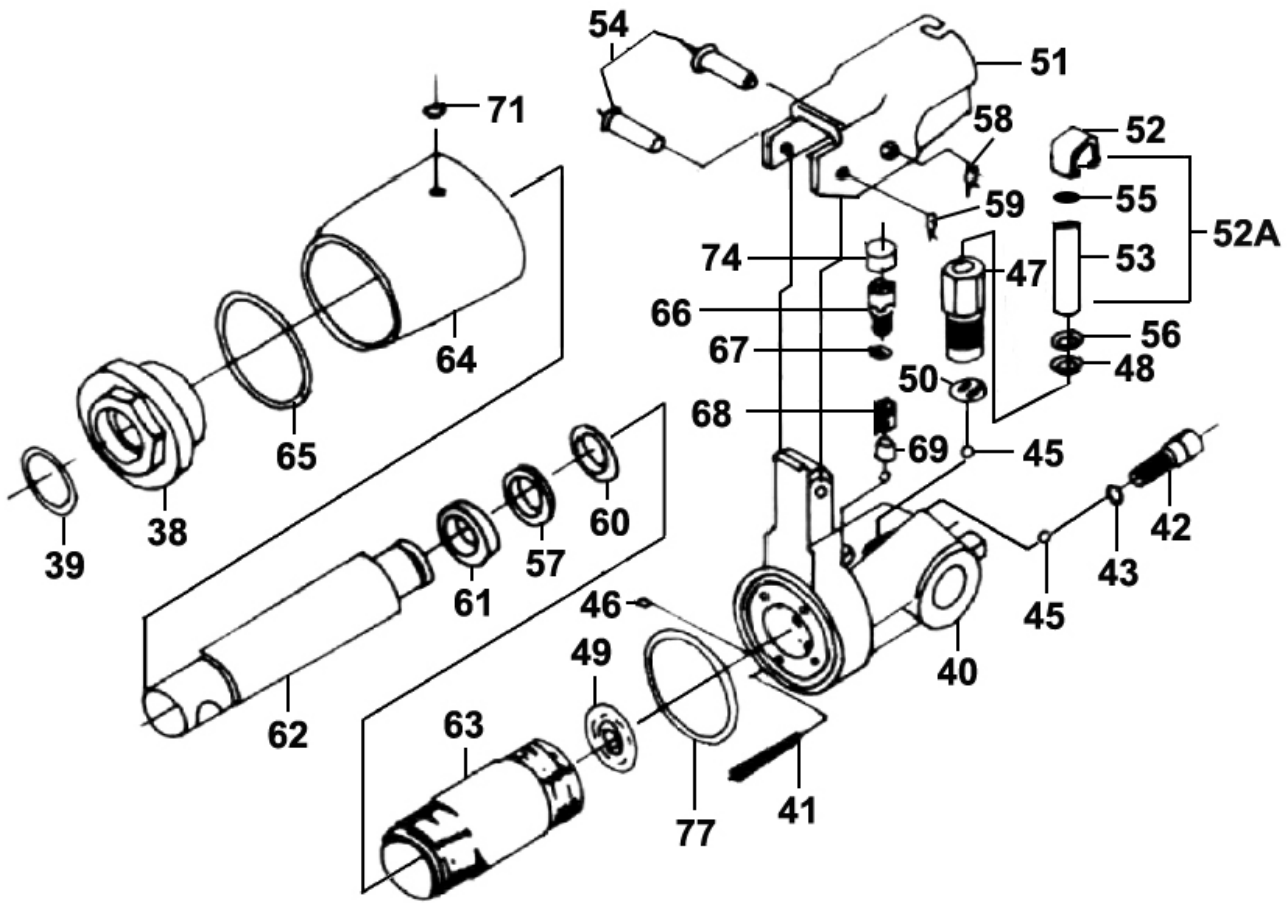
Item	Part No.	Description	Qty
1	1050CX.V3-01	Handle Complete (Inc Rubber Grip - 1Pc)	1
3	1050CX.V3-03	Supporting Shaft	2
4	1050CX.V3-04	Side Member	1
5	1050CX.V3-05	Retaining Ring	4
6	1050CX.V3-06	Radius Link	2
7	1050CX.V4-11	Cover Plate	1
8	1050CX.V4-13	Lifting Arm	1
9	1050CX.V3-09	Retaining Ring	2
10	1050CX.V3-10	Pin (2x20)	1
11	1050CX.V3-11	Saddle, Black Serrated Cup (F) Ø 47mm	1
12	1050CX.V3-12	Pin, Mount Saddle	1
13	1050CX.V3-13	Side Member (RH)	1
14	1050CX.V3-14	Washer	4
15	SN12.S	Steel Nut M12 Zinc	6
16	1050CX.V3-16	Washer (12mm)	2

Item	Part No.	Description	Qty
17	1050CX.V3-17	Wheel Spacer	2
18	1050CX.V3-18	Wheel, Front Fixed (D:65 W:18 B:19)	2
19	1050CX.V3-19	Retaining Ring	2
20	1050CX.V3-20	Saddle Assembly	1
21	1050CX.V3-21	Pin, Saddle Bracket	1
22	1050CX.V3-22	Spindle, Front Wheel	1
23	1050CX.V3-23	Piston Rod Pin	1
24	1050CX.V3-24	Wheel, Swivel Castor, Single Bolt (D:40 W:17 B:10 H:68)	2
28	1050CX.V3-28	Bearing Race	2
29	1050CX.V3-29	Washer	2
30	SN8.S	Steel Nut M8 Zinc	2
31	1050CX.V3-31	Side Member (LH)	1
32	1050CX.V3-32	Return Spring Dia 15.5mm	1
33	1050CX.V3-33	Hydraulic Unit	1
34	1050CX.V3-34	Cap, Handle	1
35	SS612.S	Bolt M6x12	1

NOTE: It is our policy to continually improve products and as such we reserve the right to alter data, specifications and component parts without prior notice. There may be alternative versions of this product, please contact us should you require this information.

IMPORTANT: No liability is accepted for incorrect use of product. Spare parts must be fitted by a competent person

WARRANTY: Guarantee is 12 months from purchase date, proof of which will be required for any claim.



Item	Part No.	Description	Qty
38	1050CX.V3-38	Top Nut	1
39	1050CX.V3-39	O-Ring, Seal Ram	1
40	1050CX.V3-40	Body, Hydraulic Unit	1
41	1050CX.V3-41	Screw, Body	1
42	1050CX.V3-42	Release Valve	1
43	1050CX.V3-43	O-ring seal, Release Valve	1
45	1050CX.V3-45	Steel Ball	1
46	1050CX.V3-46	Steel Ball	1
47	1050CX.V3-47	Cylinder, Pump	1
48	1050CX.V3-48	O-Ring Seal, Pump Cylinder	1
49	1050CX.V3-49	Washer	1
50	1050CX.V3-50	Screen, Washer Pump	1
51	1050CX.V3-51	Handle Sleeve	1
52	1050CX.V3-52	Link Piston	1
52A	1050CX.V3-52A	Link Piston Ass'y	1
53	1050CX.V3-53	Piston Pin	1
54	1050CX.V3-54	Connector Pin	2
55	1050CX.V3-55	Piston	1
56	1050CX.V3-56	Back-Up Ring	1

Item	Part No.	Description	Qty
57	1050CX.V3-57	Back-Up Ring	1
58	1050CX.V3-58	Set Pin	1
59	1050CX.V3-59	Set Pin	1
60	1050CX.V3-60	Cap-Ring	1
61	1050CX.V3-61	Collar, Ram	1
62	1050CX.V3-62	Ram	1
63	1050CX.V3-63	Cylinder, Ram	1
64	1050CX.V3-64	Oil Chamber	1
65	1050CX.V3-65	Fibre Washer	1
66	1050CX.V3-66	Overload Valve, Adjusting Screw	1
67	1050CX.V3-67	O-Ring Seal	1
68	1050CX.V3-68	Spring	1
69	1050CX.V3-69	Spring Guide Overload Valve	1
71	1050CX.V3-71	Filler Plug	1
74	1050CX.V3-74	Covering	1
75	1050CX.V3-75	Spring Washer	1
77	1050CX.V3-77	Fibre Washer, Oil Chamber	1
--	1050CX.V4-RK	Repair Kit for Hydraulic Unit (Not Shown)	1

NOTE: It is our policy to continually improve products and as such we reserve the right to alter data, specifications and component parts without prior notice. There may be alternative versions of this product, please contact us should you require this information.

IMPORTANT: No liability is accepted for incorrect use of product. Spare parts must be fitted by a competent person

WARRANTY: Guarantee is 12 months from purchase date, proof of which will be required for any claim.