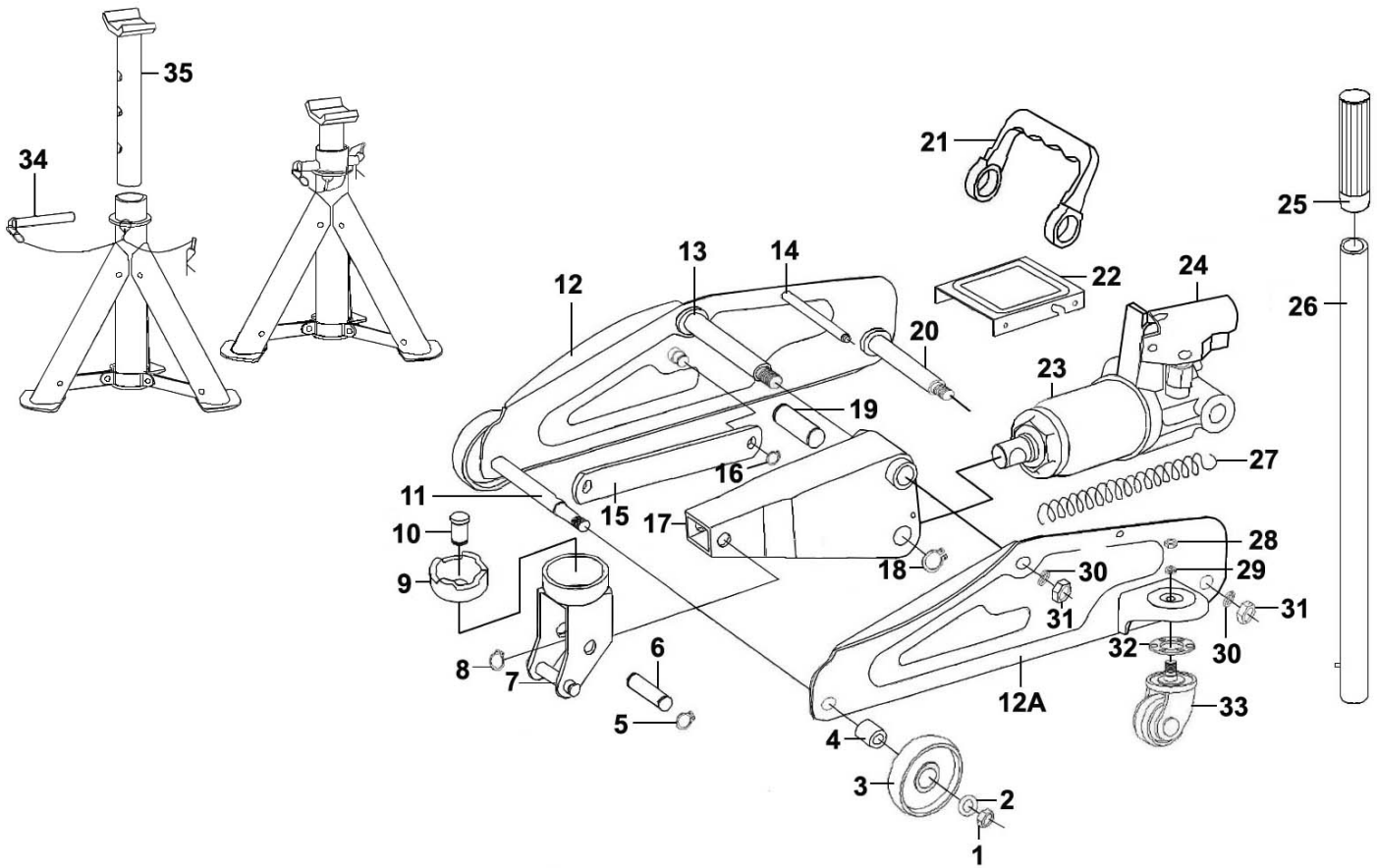


Parts Information:  
**Trolley Jack 2tonne Short Chassis with  
 Axle Stands (Pair) 1tonne Capacity per  
 Stand & Storage Case  
 Model No: 1030CXDK.V2**



Item	Part No.	Description
1	SN10.S	Steel Nut M10 Zinc
2	FWM10.S	Flat Washer M10 Zinc
3	1030CXDK.03	Wheel, Front Fixed (D:65 W:16 B:17)
4	1030CXDK.04	Bushing
5	RE231V3-06	Ext Circlip 10.9mm ID.
6	1030CXDK.06	Spindle
7	1030CXDK.07	Saddle Axis
8	1030CXDK.08	Ext Circlip 11.8mm ID.
9	1030CXDKV2.09	Saddle
10	1030CXDK.10	Saddle Pin
11	1030CXDK.11	Front Wheel Axle
12	1030CXDK.12	Left Frame
12A	1030CXDK.12-1	Right Frame
13	1030CXDK.13	Lifting Arm Spindle
14	1030CXDK.14	Side Member Spindle
15	1030CXDK.15	Radius Link
16	RE231V3-04	Ext Circlip 9.2mm ID
17	1030CXDK.17	Lifting Arm

Item	Part No.	Description
18	1030CXDK.18	C-Ring
19	1030CXDK.19	Link Pin
20	1030CXDK.20	Spindle
21	1030CXDKV2.21	Carry Handle (Black)
22	1030CXDK.22	Cover Plate
23	1030CXDK.23	Hydraulic Unit
24	1030CXDKV223A	Handle Socket
25	1030CXDK.24	Handle Grip
26	1030CXDKV2.25	Jack Handle (Pinched Circle) 16x9mm
27	1030CXDK.26	Spring
28	SN8.S	Steel Nut M8 Zinc
29	1030CXDK.28	Spring Washer
30	SWM12.S	Spring Washer M12 Zinc
31	SN12.S	Steel Nut M12 Zinc
32	1030CXDK.31	Plastic Bearing Race
33	1050CX.V3-24	Wheel, Swivel Castor, Single Bolt
34	AS2000F/06	Pin & Chain
35	AS2000F/01	Vertical Stand Tube

**NOTE:** It is our policy to continually improve products and as such we reserve the right to alter data, specifications and component parts without prior notice. There may be alternative versions of this product, please contact us should you require this information.

**IMPORTANT:** No liability is accepted for incorrect use of product. Spare parts must be fitted by a competent person

**WARRANTY:** Guarantee is 12 months from purchase date, proof of which will be required for any claim.