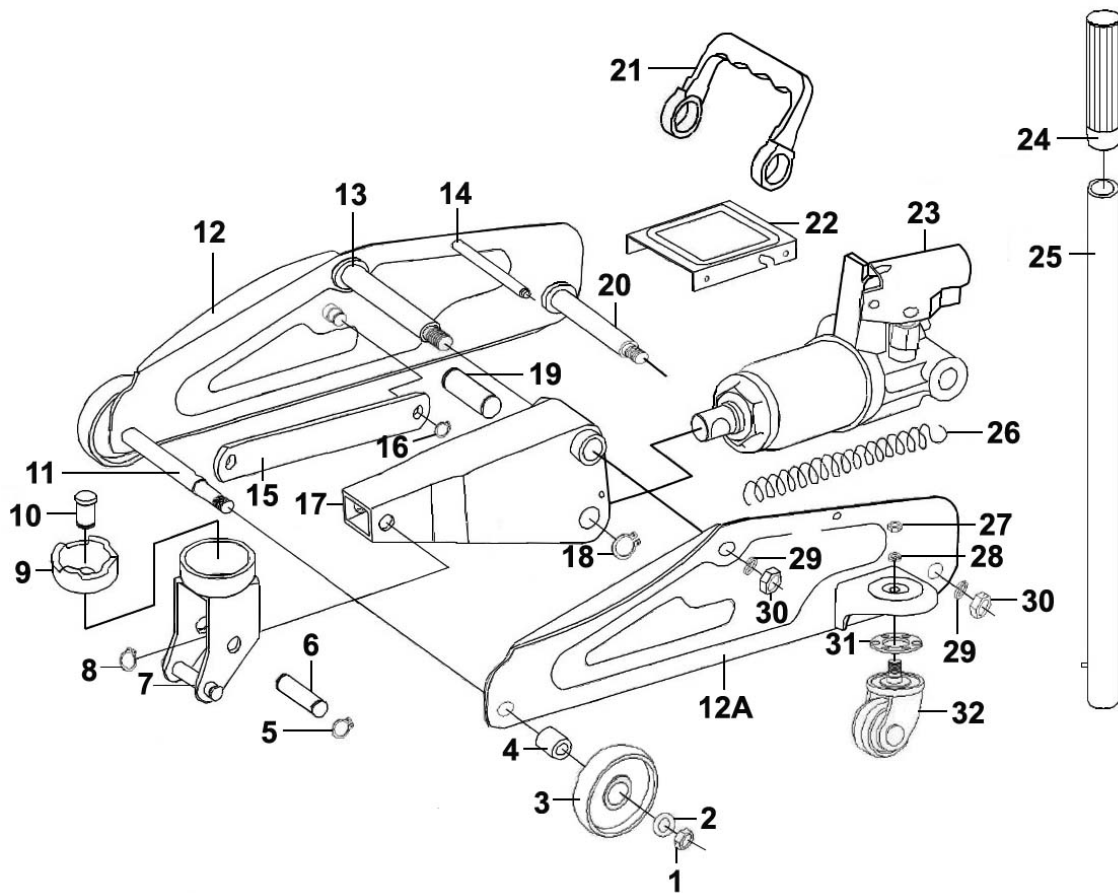


Parts Information:
**Trolley Jack 2tonne Short Chassis with
 Axle Stands (Pair) 1tonne Capacity per
 Stand & Storage Case**
Model No: 1030CXDK



| Item | Part No. | Description |
|------|---------------|-------------------------------------|
| 1 | SN10.S | Steel Nut M10 Zinc |
| 2 | FWM10.S | Flat Washer M10 Zinc |
| 3 | 1030CXDK.03 | Wheel, Front Fixed (D:65 W:16 B:17) |
| 4 | 1030CXDK.04 | Bushing |
| 5 | RE231.V3-06 | Ext Circlip 13.6mm OD |
| 6 | 1030CXDK.06 | Spindle |
| 7 | 1030CXDK.07 | Saddle Axis |
| 8 | 1030CXDK.08 | Ext Circlip 11.8mm ID. |
| 9 | 1030CXDK.09 | Saddle |
| 10 | 1030CXDK.10 | Saddle Pin |
| 11 | 1030CXDK.11 | Front Wheel Axle |
| 12 | 1030CXDK.12 | Left Frame |
| 12A | 1030CXDK.12-1 | Right Frame |
| 13 | 1030CXDK.13 | Lifting Arm Spindle |
| 14 | 1030CXDK.14 | Side Member Spindle |
| 15 | 1030CXDK.15 | Radius Link |
| 16 | RE231.V3-04 | Ext Circlip 11.5mm OD. |

| Item | Part No. | Description |
|------|--------------|---|
| 17 | 1030CXDK.17 | Lifting Arm |
| 18 | 1030CXDK.18 | C-Ring |
| 19 | 1030CXDK.19 | Link Pin |
| 20 | 1030CXDK.20 | Spindle |
| 21 | 1030CXDK.21 | Carry Handle |
| 22 | 1030CXDK.22 | Cover Plate |
| 23 | 1030CXDK.23 | Hydraulic Unit |
| 24 | 1030CXDK.24 | Handle Grip |
| 25 | 1030CXDK.25 | Handle |
| 26 | 1030CXDK.26 | Spring |
| 27 | SN8.S | Steel Nut M8 Zinc |
| 28 | 1030CXDK.28 | Spring Washer |
| 29 | SWM12.S | Spring Washer M12 Zinc |
| 30 | SN12.S | Steel Nut M12 Zinc |
| 31 | 1030CXDK.31 | Plastic Bearing Race |
| 32 | 1050CX.V3-24 | Wheel, Swivel Castor, Single Bolt (D:40 W:17 B:10 H:68) |

NOTE: It is our policy to continually improve products and as such we reserve the right to alter data, specifications and component parts without prior notice. There may be alternative versions of this product, please contact us should you require this information.

IMPORTANT: No liability is accepted for incorrect use of product. Spare parts must be fitted by a competent person

WARRANTY: Guarantee is 12 months from purchase date, proof of which will be required for any claim.