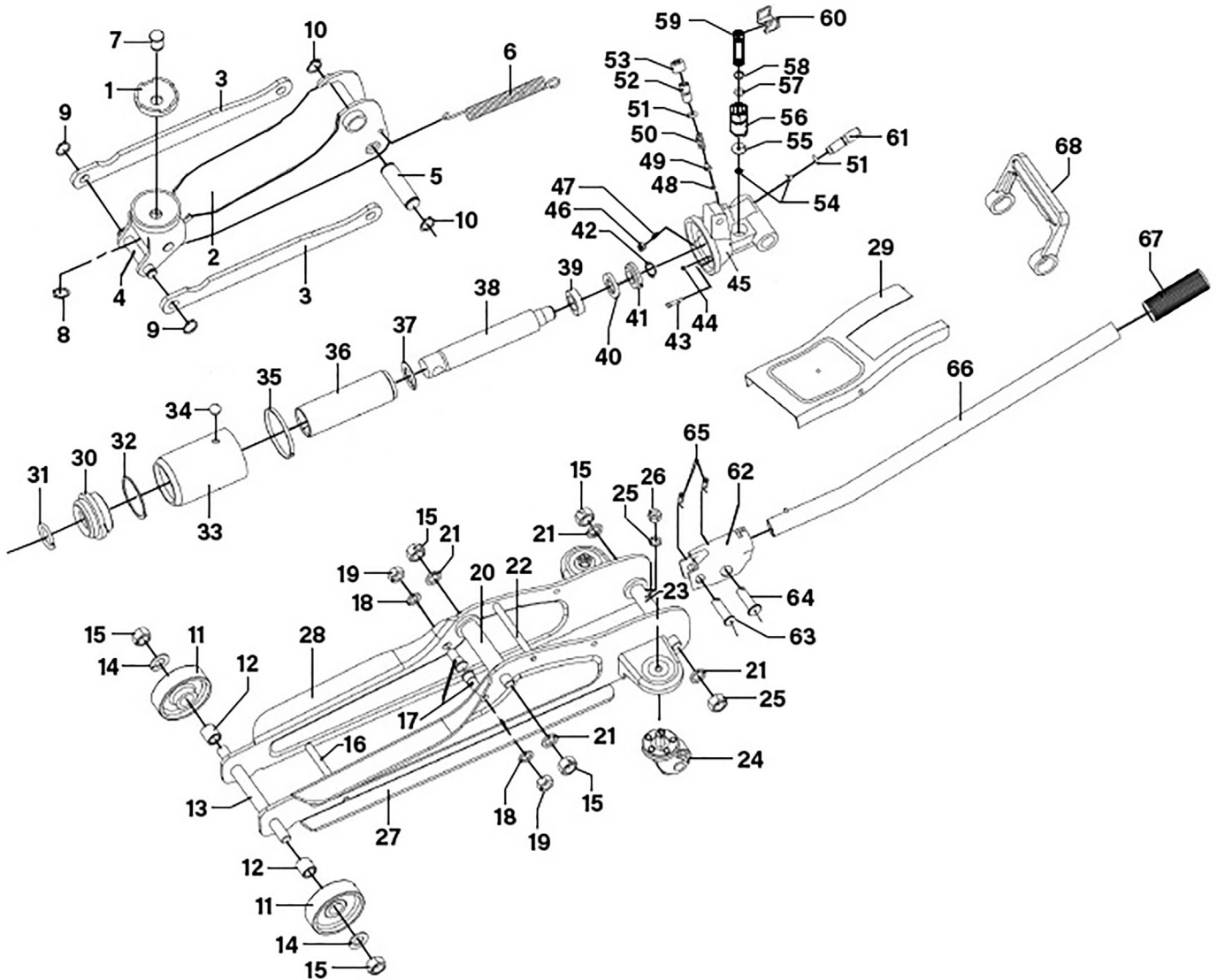




Parts Information:  
**Trolley Jack 2 Tonne Low Profile Short Chassis**  
**Model No: 1020LE SERIES**



Item	Part No.	Description
1	1020LE.V3-01	Saddle, White Serrated Cup (F) Ø 50mm
2	1020LE.V3-02	Lift Arm Assembly
3	1020LE.V3-03	Radius Link
4	1020LE.V3-04	Radius Link Axle
5	1020LE.V3-05	Ram Plunger Axle
6	1020LE.V3-06	Return Spring
7	1020LE.V3-07	Saddle Pin
8	1020LE.V3-08	External Circlip 11.8mm ID.
9	1020LE.V3-09	External Circlip 12.0mm ID.
10	1020LE.V3-10	External Circlip 17.0mm ID.
11	1020LE.V3-11	Front Wheel
12	1020LE.V3-12	Front Wheel Bush

Item	Part No.	Description
13	1020LE.V3-13	Front Axle
14	FWM12.S	Flat Washer M12 Zinc
15	SN12.S	Steel Nut M12 Zinc
16	1020LE.V3-16	Frame Tie Rod
17	1020LE.V3-17	Radius Link Stud
18	SWM10.S	Spring Washer M10 Zinc
19	NLN10.S	Nyloc Nut M10 Zinc
20	1020LE.V3-20	Fixed Shaft (Centre)
21	SWM12.S	Spring Washer M12 Zinc
22	1020LE.V3-22	Frame Tie Rod
23	1020LE.V3-23	Fixed Shaft
24	1020LE.V3-24	Rear Castor Assembly

**NOTE:** It is our policy to continually improve products and as such we reserve the right to alter data, specifications and component parts without prior notice. There may be alternative versions of this product, please contact us should you require this information.

**IMPORTANT:** No liability is accepted for incorrect use of product. Spare parts must be fitted by a competent person

**WARRANTY:** Guarantee is 12 months from purchase date, proof of which will be required for any claim.

Sealey Group, Kempson Way, Suffolk Business Park, Bury St Edmunds, Suffolk. IP32 7AR



01284 757500



sales@sealey.co.uk



www.sealey.co.uk



Parts Information:  
**Trolley Jack 2 Tonne Low Profile Short Chassis**  
**Model No: 1020LE SERIES**

Item	Part No.	Description
25	SWM8.S	Spring Washer M8 Zinc
26	NLN8.S	Nyloc Nut M8 Zinc
27	1020LE.V3-27	Frame, Left Side <b>(Red) (1020LE.V3 ONLY)</b>
27	1020LEB.27	Frame, Left Side <b>(Blue) (1020LEB ONLY)</b>
27	1020LEHV.27	Frame, Left Side <b>(Hi-Vis) (1020LEHV ONLY)</b>
27	1020LEO.27	Frame, Left Side <b>(Orange) (1020LEO ONLY)</b>
28	1020LE.V3-28	Frame, Right Side <b>(Red) (1020LE.V3 ONLY)</b>
28	1020LEB.28	Frame, Right Side <b>(Blue) (1020LEB ONLY)</b>
28	1020LEHV.28	Frame, Right Side <b>(Hi-Vis) (1020LEHV ONLY)</b>
28	1020LEO.28	Frame, Right Side <b>(Orange) (1020LEO ONLY)</b>
29	1020LE.V3-29	Cover Plate
30	1020LE.V3-30	Top Nut
31	1020LE.V3-31	O-Ring (Ø25 x Ø3.55)
32	1020LE.V3-32	Seal Ring
33	1020LE.V3-33	Reservoir
34	1020LE.V3-34	Oil Seal
35	1020LE.V3-35	Wedge Ring
36	1020LE.V3-36	Cylinder
37	1020LE.V3-37	Flat Washer (Ø34 x Ø23 x 0.8)
38	1020LE.V3-38	Ram Plunger
39	1020LE.V3-39	Bushing Cover
40	1020LE.V3-40	Back-up Washer
41	1020LE.V3-41	U-Cup Seal
42	1020LE.V3-42	External Circlip 16.0mm ID
43	1020LE.V3-43	Filter
44	SB-5.0	Steel Ball 5.0mm
45	1020LE.V3-45	Base

Item	Part No.	Description
46	1020LE.V3-46	Throttle Valve
47	1020LE.V3-47	Spring
48	SB-4.0	Steel Ball 4.0mm
49	1020LE.V3-49	Steel Ball Base
50	1020LE.V3-50	Safety Valve Spring
51	1020LE.V3-51	O-Ring (Ø6 x Ø3)
52	1020LE.V3-52	Safety Valve Screw
53	1020LE.V3-53	Protection Cap
54	SB-6.0	Steel Ball 6.0mm
55	1020LE.V3-55	Flat Washer (Ø16 x 4 x 4 x 1)
56	1020LE.V3-56	Pump
57	1020LE.V3-57	O-Ring (Ø7.7 x Ø1.9)
58	1020LE.V3-58	Back-up Washer
59	1020LE.V3-59	Pump Piston
60	1020LE.V3-60	Connection Sleeve
61	1020LE.V3-61	Release Valve Rod
62	1020LE.V3-62	Handle Socket
63	1020LE.V3-63	Handle Socket Pin (Upper)
64	1020LE.V3-64	Handle Socket Pin (Lower)
65	1020LE.V3-65	Retaining Pin
66	1020LE.V3-66	Handle
67	1020LE.V3-67	Handle Grip
68	1020LE.V3-68	Carry Handle
--	1020LE.V3-HU	Hydraulic Unit for 1020LE Series <b>(Not Shown)</b>
--	1020LE.V3-RK	Repair Kit for 1020LE Series <b>(Not Shown)</b>
--	JP29	Safety Rubber Jack Pad - Type A <b>(Not Shown)</b>

**NOTE:** It is our policy to continually improve products and as such we reserve the right to alter data, specifications and component parts without prior notice. There may be alternative versions of this product, please contact us should you require this information.

**IMPORTANT:** No liability is accepted for incorrect use of product. Spare parts must be fitted by a competent person

**WARRANTY:** Guarantee is 12 months from purchase date, proof of which will be required for any claim.

Sealey Group, Kempson Way, Suffolk Business Park, Bury St Edmunds, Suffolk. IP32 7AR



01284 757500



sales@sealey.co.uk



www.sealey.co.uk