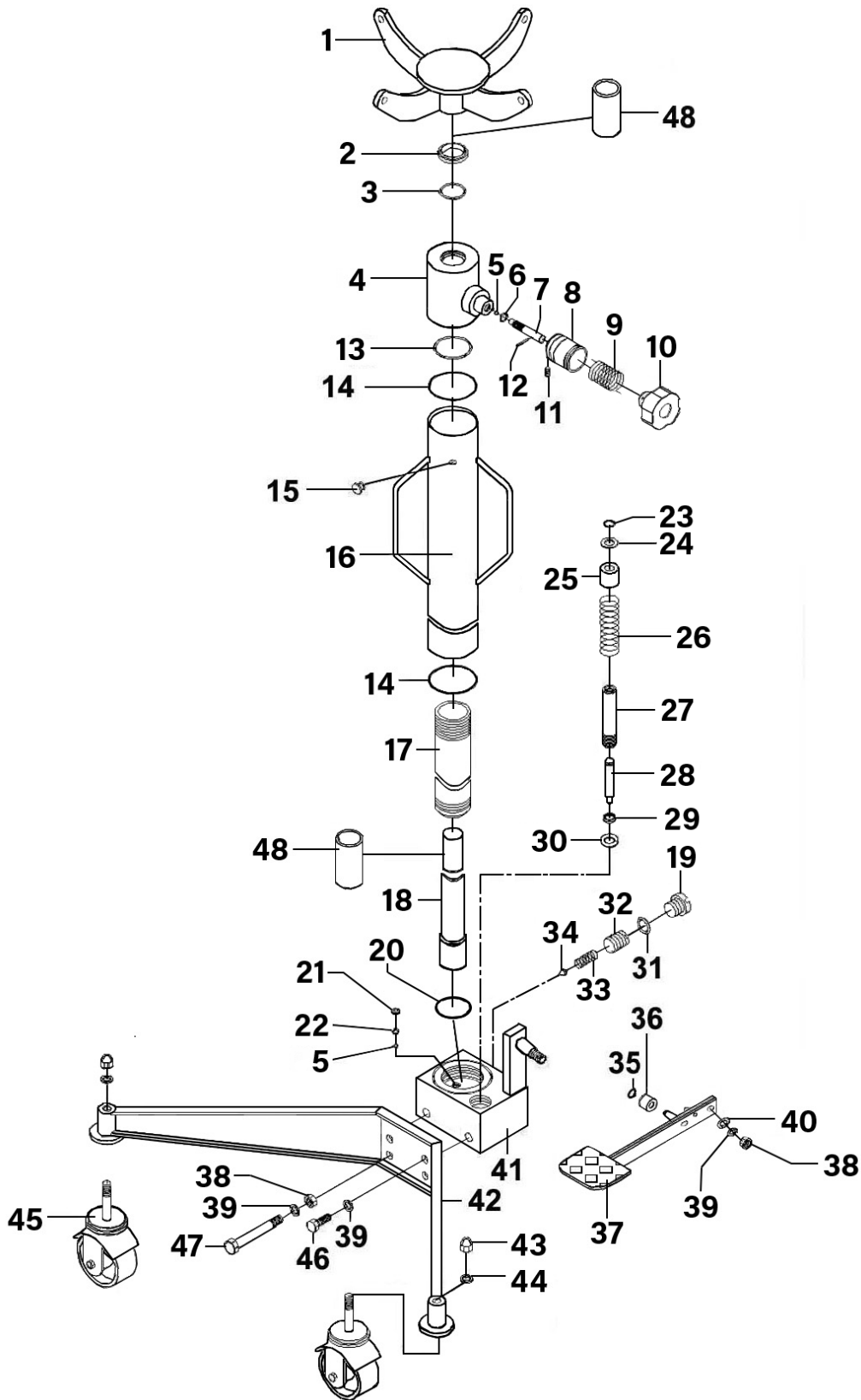


Parts Information:
Transmission Jack 1 Tonne Vertical
Model No: 1000ETJ



NOTE: It is our policy to continually improve products and as such we reserve the right to alter data, specifications and component parts without prior notice. There may be alternative versions of this product, please contact us should you require this information.

IMPORTANT: No liability is accepted for incorrect use of product. Spare parts must be fitted by a competent person

WARRANTY: Guarantee is 12 months from purchase date, proof of which will be required for any claim.



Parts Information:
Transmission Jack 1 Tonne Vertical
Model No: 1000ETJ

Item	Part No.	Description
1	1000ETJ.01	Fork Assembly
2	1000ETJ.02	Dust Seal
3	1000ETJ.03	O-Ring, (Ex: 37.78 In: 31.50 Cs: 3.14)
4	1000ETJ.04	Cylinder Head Assembly
5	SB-6.4	Steel Ball 6.4mm
6	1000ETJ.06	O-Ring, (Ex: 15.28 In: 10.64 Cs: 2.32)
7	1000ETJ.07	Release Rod
8	1000ETJ.08	Bush
9	1000ETJ.09	Spring Dia 26.6mm
10	1000ETJ.10	Knob, Release, Plastic, OD: 60mm L: 33mm, 11mm Female Fitting
11	GSM58.S	Grub Screw M5x8 (Single)
12	800TTJ.227	Spring Pin M4 X 25
13	RE91/10.02	O-Ring, (Ex: 54.28 In: 47.22 Cs: 3.53)
14	1000ETJ.14	O-Ring, (Ex: 70.48 In: 64.36 Cs: 3.06)
15	1000TRQ.V2-15	Oil Filler Plug
16	1000ETJ.16	Oil Reservoir Assembly
17	1000ETJ.17	Cylinder
18	1000ETJ.18	Piston Assembly
19	1000ETJ.19	Screw
20	AK458DX.V4-13	O-Ring, (Ex: 51.10 In: 44.04 Cs: 3.53)
21	1000ETJ.21	Screw
22	SB-9.5	Steel Ball 9.5mm
23	1000ETJ.23	Retainig Ring 20mm
24	FWM20.S	Flat Washer M20

Item	Part No.	Description
25	1000ETJ.25	Bush
26	1000ETJ.26	Spring Dia 30.1mm
27	1000ETJ.27	Pump Cylinder
28	1000ETJ.28	Pump Rod
29	1000ETJ.29	Seal 8*16*6
30	FWM10.SB	Flat Washer M10 Black
31	DH03.V2-39	O-Ring, (Ex: 12.81 In: 9.25 Cs: 1.78)
32	1000ETJ.32	Screw
33	1000ETJ.33	Spring Dia 7.6mm
34	1000ETJ.34	Taper Valve
35	SA6006.49N	External Circlip 10.6mm ID
36	1000ETJ.36	Bush
37	1000ETJ.37	Pump Pedal
38	NLN10.S	Nyloc Nut M10 Zinc
39	FWM10.S	Flat Washer M10 Zinc
40	FWM12.S	Flat Washer M12 Zinc
41	1000ETJ.41	Pump Base Assembly
42	1000ETJ.42	Leg Assembly
43	SN12.SD	Steel Nut M12 Domed Zinc
44	SWM12.SB	Spring Washer M12 Black
45	1500TR.45	Wheel, Swivel Castor, Single Bolt (D:88 W:37 B:12 H:170)
46	SS1020.S	Hex Head Set Screw M10 X 20 Zinc
47	HHB10110.S	Hex Head Bolt M10 x 110mm
48	1000ETJ.48	Adaptor (30mm to 35mm)

NOTE: It is our policy to continually improve products and as such we reserve the right to alter data, specifications and component parts without prior notice. There may be alternative versions of this product, please contact us should you require this information.

IMPORTANT: No liability is accepted for incorrect use of product. Spare parts must be fitted by a competent person

WARRANTY: Guarantee is 12 months from purchase date, proof of which will be required for any claim.

Sealey Group, Kempson Way, Suffolk Business Park, Bury St Edmunds, Suffolk. IP32 7AR



01284 757500



sales@sealey.co.uk



www.sealey.co.uk