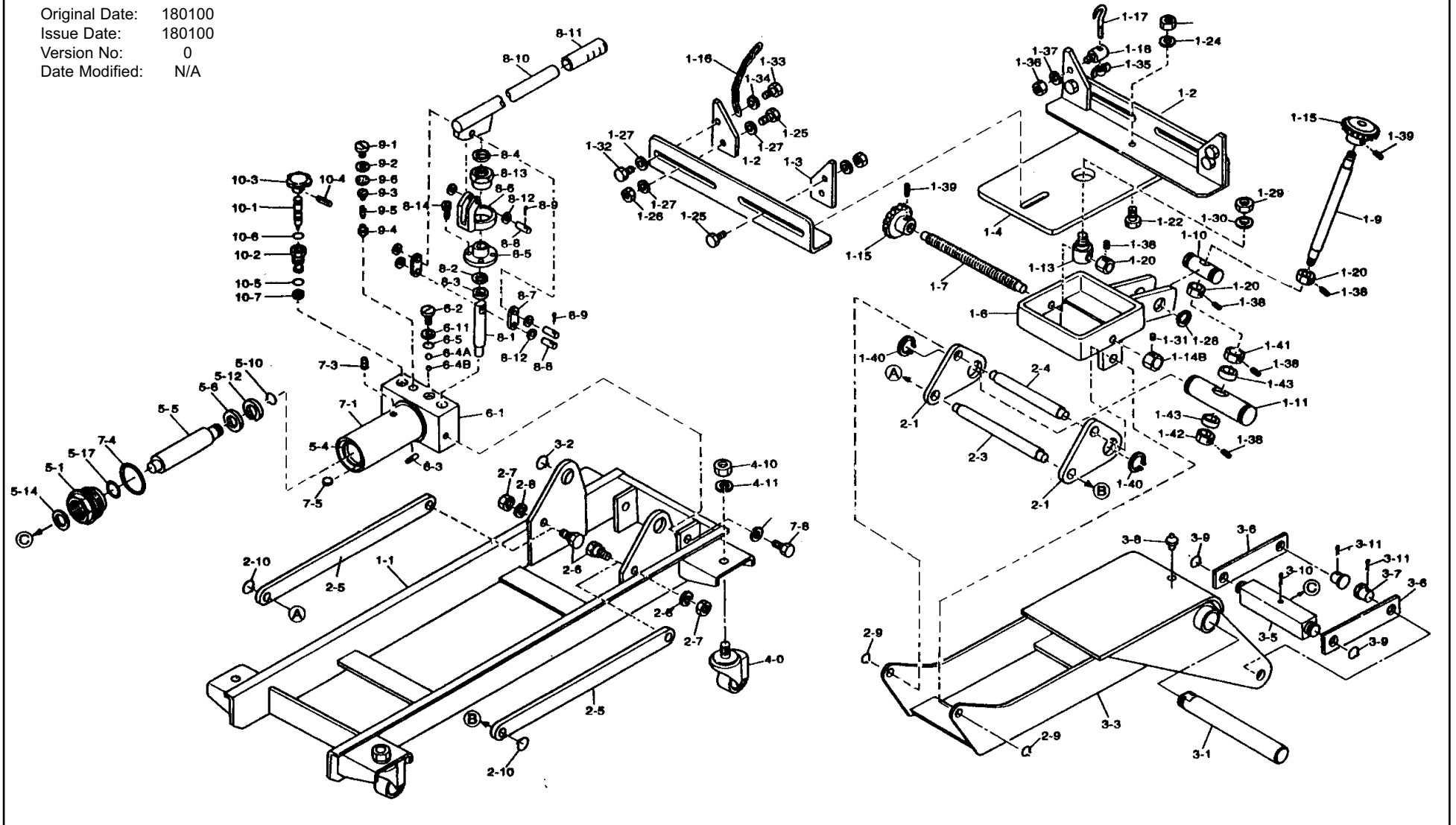


PARTS LIST
TRANSMISSION JACK model No: 1000CE

Original Date: 180100
Issue Date: 180100
Version No: 0
Date Modified: N/A





Sealey Group,
Bury St. Edmunds,
Suffolk.

PARTS LIST

TRANSMISSION JACK model No: **1000CE**

NO	PART NO	DESCRIPTION	NO	PART NO	DESCRIPTION	NO	PART NO	DESCRIPTION
1-1	1000CE/1-1	FRAME	1-42	1000CE/1-42	COLLAR WITH SCREW	6-5	1000CE/6-5	O-RING
1-2	1000CE/1-2	SADDLE HEAD BRACKET	1-43	1000CE/1-43	THRUST BEARING	6-11	1000CE/6-11	BACK-UP RING
1-3L	1000CE/1-3L	SADDLE HEAD ATTACHMENT (LEFT)	2-1	1000CE/2-1	CONNECTING JOINT	7-1	1000CE/7-1	OIL TANK
1-3R	1000CE/1-3R	SADDLE HEAD ATTACHMENT (RIGHT)	2-3	1000CE/2-3	LINK ROD PIN	7-5	1000CE/7-5	MAGNET
1-4	1000CE/1-4	SADDLE PLATE	2-4	1000CE/2-4	ARM PIN	7-8	1000CE/7-8	BOLT
1-6	1000CE/1-6	TILTING BASE	2-5	1000CE/2-5	LINK ROD	7-9	1000CE/7-9	SPRING WASHER
1-7	1000CE/1-7	SCREW	2-6	1000CE/2-6	LINK ROD PIN	8-1	1000CE/8-1	PUMP PLUNGER
1-9	1000CE/1-9	SCREW FOR TILTING	2-7	1000CE/2-7	NUT	8-2	1000CE/8-2	BACK-UP RING
1.10	1000CE/1-10	PIN WITH FEMALE SCREW	2-8	1000CE/2-8	SPRING WASHER	8-3	1000CE/8-3	SEAL
1-11	1000CE/1-11	PIN FOR TILTING	2-9	1000CE/2-9	SNAP RING	8-5	1000CE/8-5	PLUNGER FLANGE
1-13	1000CE/1-13	GUIDE SCREW	2-10	1000CE/2-10	SNAP RING	8-6	1000CE/8-6	BRACKET
1-14B	1000CE/1-14B	HEAD COLLAR	3-1	1000CE/3-1	ARM PIN	8-7	1000CE/8-7	LINK
1-15	1000CE/1-15	GRIP	3-2	1000CE/3-2	SNAP RING	8-8	1000CE/8-8	PIN
1-16	1000CE/1-16	RING CHAIN	3-3	1000CE/3-3	ARM	8-9	1000CE/8-9	COTTER PIN
1-17	1000CE/1-17	HOOK WITH SCREW	3-5	1000CE/3-5	CONNECTING JOINT	8-10	1000CE/8-10	HANDLE
1-18	1000CE/1-18	HOOK PIN	3-6	1000CE/3-6	TENSION ROD	8-11	1000CE/8-11	GRIP
1-20	1000CE/1-20	COLLAR WITH SCREW	3-7	1000CE/3-7	TENSION ROD PIN	8-12	1000CE/8-12	WASHER
1-22	1000CE/1-22	BOLT	3-8	1000CE/3-8	GREASE NIPPLE	8-13	1000CE/8-13	PLUNGER GUIDE
1-23	1000CE/1-23	NUT	3-9	1000CE/3-9	SNAP RING	8-14	1000CE/8-14	HEX BOLT
1-24	1000CE/1-24	WASHER	3-10	1000CE/3-10	COTTER	9-1	1000CE/9-1	SAFETY VALVE BOLT
1-25	1000CE/1-25	BOLT	3-11	1000CE/3-11	COTTER PIN	9-2	1000CE/9-2	PACKING
1-26	1000CE/1-26	NUT	4-0	1000CE/4-0	CASTER	9-3	1000CE/9-3	RETAINER
1-27	1000CE/1-27	WASHER	4-10	1000CE/4-10	NUT	9-4	1000CE/9-4	SAFETY VALVE
1-28	1000CE/1-28	SNAP RING	4-11	1000CE/4-11	SPRING PIN	9-5	1000CE/9-5	SPRING
1-29	1000CE/1-29	NUT	5-1	1000CE/5-1	TANK NUT	9-6	1000CE/9-6	PACKING
1-30	1000CE/1-30	WASHER	5-4	1000CE/5-4	CYLINDER	10-1	1000CE/10-1	RELEASE VALVE
1-31	1000CE/1-31	HEX SCREW	5-5	1000CE/5-5	PISTON ROD	10-2	1000CE/10-2	RELEASE VALVE GUIDE
1-32	1000CE/1-32	BOLT	5-6	1000CE/5-6	PISTON PACKING	10-3	1000CE/10-3	RELEASE VALVE GRIP
1-33	1000CE/1-33	NUT	5-10	1000CE/5-10	SNAP RING	10-4	1000CE/10-4	SPRING PIN
1-34	1000CE/1-34	WASHER	5-12	1000CE/5-12	U-PACKING	10-5	1000CE/10-5	O-RING
1-35	1000CE/1-35	WING NUT	5-17	1000CE/5-17	O-RING	10-6	1000CE/10-6	O-RING
1-36	1000CE/1-36	NUT	6-1	1000CE/6-1	OIL BOX	10-7	1000CE/10-7	COPPER PACKING
1-37	1000CE/1-37	SPRING WASHER	6-2	1000CE/6-2	BOLT	RK	1000CE/RK	REPAIR KIT
1-38	1000CE/1-38	HEX SCREW	6-3	1000CE/6-3	OIL STRAINER			
1-39	1000CE/1-39	SPRING PIN	6-4A	1000CE/6-4A	STEEL BALL			
1-40	1000CE/1-40	SNAP RING	6-4B	1000CE/6-4B	STEEL BALL			
1-41	1000CE/1-41	COLLAR WITH SCREW						



Sealey Group,
Bury St. Edmunds, Suffolk.



01284 757500



01284 703534

E-mail: sales@sealey.co.uk

NOTE: It is our policy to continually improve products and as such we reserve the right to alter data, specifications and component parts without prior notice.