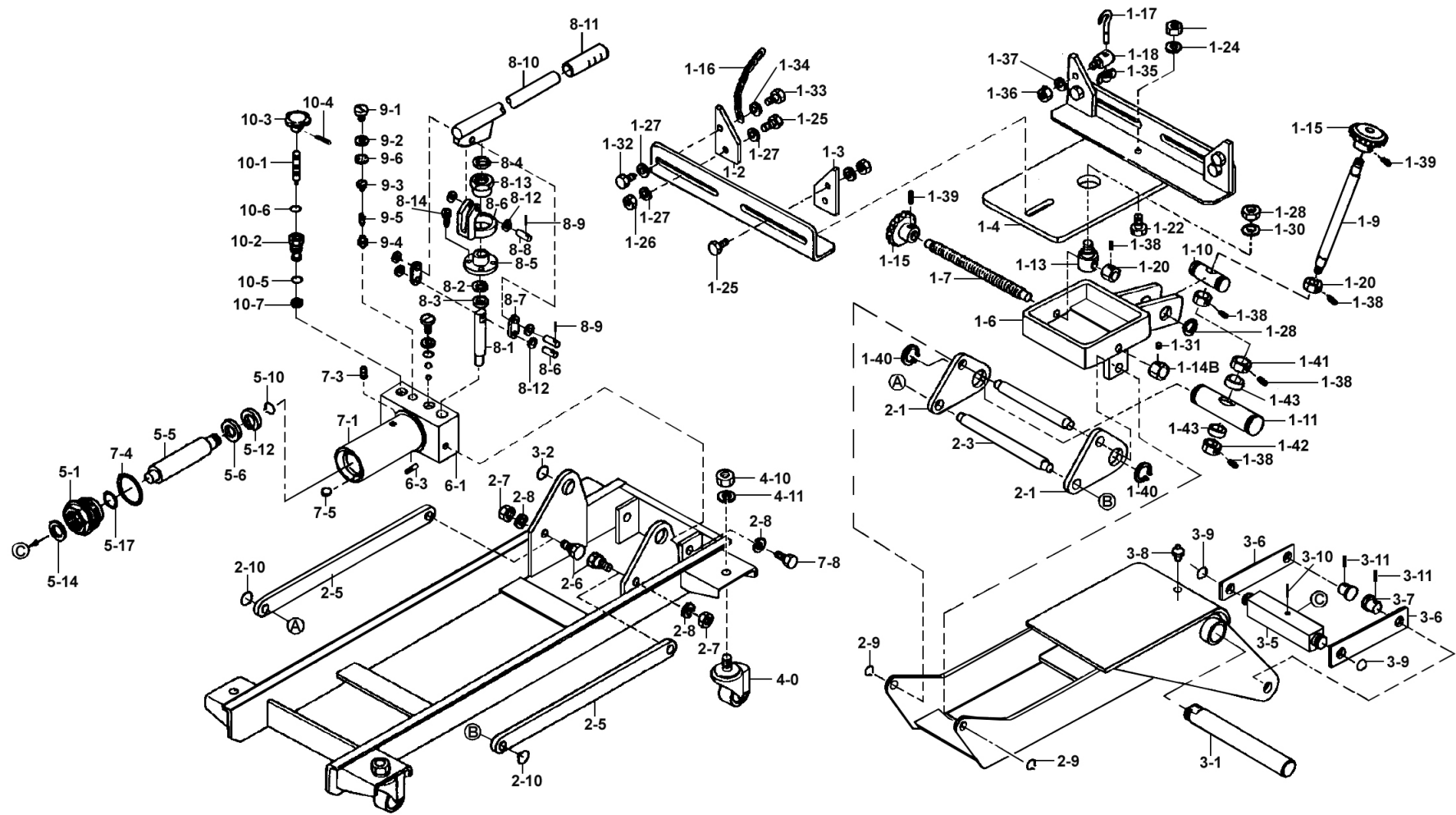




Parts Information:  
Product description if required  
Model No: XXXXX



**NOTE:** It is our policy to continually improve products and as such we reserve the right to alter data, specifications and component parts without prior notice.

There may be alternative versions of this product, please contact us should you require this information.

**IMPORTANT:** No liability is accepted for incorrect use of product. Spare parts must be fitted by a competent person

**WARRANTY:** Guarantee is 12 months from purchase date, proof of which will be required for any claim.

Sealey Group, Kempson Way, Suffolk Business Park, Bury St Edmunds, Suffolk. IP32 7AR

01284 757500 | 01284 703534 | sales@sealey.co.uk | www.sealey.co.uk



Parts Information:  
**Transmission jack floor 1ton**  
**Model No: 1000CE**

Item	Part No.	Description
1-1	1000CE/1-1	Frame
1-2	1000CE/1-2	Saddle head bracket
1-3L	1000CE/1-3L	Saddle head attachment (left)
1-3R	1000CE/1-3R	Saddle head attachment (right)
1-4	1000CE/1-4	Saddle plate
1-6	1000CE/1-6	Tilting base
1-7	1000CE/1-7	Screw
1-9	1000CE/1-9	Screw for tilting
1-10	1000CE/1-10	Pin with female screw
1-11	1000CE/1-11	Pin for tilting
1-13	1000CE/1-13	Guide screw
1-14B	1000CE/1-14B	Head collar (b)
1-15	1000CE/1-15	Grip
1-16	1000CE/1-16	Ring chain
1-17	1000CE/1-17	Hook with screw
1-18	1000CE/1-18	Hook pin
1-20	1000CE/1-20	Collar with screw
1-22	1000CE/1-22	Bolt
1-23	1000CE/1-23	Nut
1-24	1000CE/1-24	Washer
1-25	1000CE/1-25	Bolt
1-26	1000CE/1-26	Nut
1-27	1000CE/1-27	Washer
1-28	1000CE/1-28	Snap ring
1-29	1000CE/1-29	Nut
1-30	1000CE/1-30	Washer
1-31	1000CE/1-31	Hex screw
1-32	1000CE/1-32	Bolt
1-33	1000CE/1-33	Nut
1-34	1000CE/1-34	Washer
1-35	1000CE/1-35	Wing nut
1-36	SN10.S	Steel Nut M10 Zinc
1-37	1000CE/1-37	Spring washer
1-38	1000CE/1-38	Hex screw
1-39	1000CE/1-39	Spring pin
1-40	1000CE/1-40	Snap ring
1-41	1000CE/1-41	Collar

Item	Part No.	Description
1-42	1000CE/1-42	Collar
51102	B/51102	Bearing race 51102
2-1	1000CE/2-1	Connecting joint
2-3	1000CE/2-3	Link rod pin
2-4	1000CE/2-4	Arm pin
2-5	1000CE/2-5	Link rod
2-6	1000CE/2-6	Link rod pin
2-7	1000CE/2-7	Nut
2-8	1000CE/2-8	Spring washer
2-9	1000CE/2-9	Snap ring
2-10	1000CE/2-10	Snap ring
3-1	1000CE/3-1	Arm pin
3-2	1000CE/3-2	Snap ring
3-3	1000CE/3-3	Arm
3-5	1000CE/3-5	Connecting joint
3-6	1000CE/3-6	Tension rod
3-7	1000CE/3-7	Tension rod pin
1-36	GNM19S	Grease nipple str 6 x 1.00mm single
3-9	1000CE/3-9	Snap ring
3-10	1000CE/3-10	Cotter
3-11	1000CE/3-11	Cotter pin
4-0	1000CE/4-0	Wheel,swivel castor,single bolt (D:60 W:31 B:15 H:113)
1-36	SN18.S	Steel Nut M18 Zinc / Steel Nut M18 Zinc
1-36	SWM18.SB	Spring Washer M18 Black
5-1	1000CE/5-1	Tank nut
5-4	1000CE/5-4	Cylinder
5-5	1000CE/5-5	Piston rod
5-6	1000CE/5-6	Piston packing
5-10	1000CE/5-10	Snap ring
5-12	1000CE/5-12	U-packing
5-14	1000CE/5-14	Oil seal
5-17	1000CE/5-17	O-ring / O-ring
6-1	1000CE/6-1	Oil box
1-36	SS1220.S	Bolt m12x20
6-3	1000CE/6-3	Oil strainer
6-4A	1000CE/6-4A	Steel ball
6-4B	1000CE/6-4B	Steel ball

**NOTE:** It is our policy to continually improve products and as such we reserve the right to alter data, specifications and component parts without prior notice. There may be alternative versions of this product, please contact us should you require this information.

**IMPORTANT:** No liability is accepted for incorrect use of product. Spare parts must be fitted by a competent person

**WARRANTY:** Guarantee is 12 months from purchase date, proof of which will be required for any claim.

Sealey Group, Kempson Way, Suffolk Business Park, Bury St Edmunds, Suffolk. IP32 7AR



01284 757500



01284 703534



sales@sealey.co.uk



www.sealey.co.uk



Parts Information:  
Transmission jack floor 1ton  
Model No: 1000CE

Item	Part No.	Description
6-5	1000CE/6-5	O-ring
6-11	1000CE/6-11	Back-up ring
7-1	1000CE/7-1	Oil tank
7-3	1000CE/7-3	Oil plug
7-4	1000CE/7-4	O-ring
7-5	1000CE/7-5	Magnet
7-8	1000CE/7-8	Bolt
7-9	1000CE/7-9	Spring washer
8-1	1000CE/8-1	Pump plunger
8-2	1000CE/8-2	Back-up ring
8-3	1000CE/8-3	Seal
8-4	1000CE/8-4	Oil seal
8-5	1000CE/8-5	Plunger flange
8-6	1000CE/8-6	Bracket
8-7	1000CE/8-7	Link
8-8	1000CE/8-8	Pin
8-9	1000CE/8-9	Cotter pin
8-10	1500CE/8-10	Lever

Item	Part No.	Description
8-11	1000CE/8-11	Grip
8-12	1000CE/8-12	Washer
8-13	1000CE/8-13	Plunger guide
8-14	1000CE/8-14	Hex bolt
9-1	1000CE/9-1	Safety valve bolt
9-2	1000CE/9-2	Packing
9-3	1000CE/9-3	Retainer
9-4	1000CE/9-4	Safety valve
9-5	1000CE/9-5	Spring
9-6	1000CE/9-6	Packing
10-1	1000CE/10-1	Release valve
10-2	1000CE/10-2	Release valve guide
10-3	1000CE/10-3	Release valve grip
10-4	1000CE/10-4	Spring pin
10-5	1000CE/10-5	O-ring
10-6	1000CE/10-6	O-ring
10-7	1000CE/10-7	Copper packing
RK	1000CE/RK	Repair kit

**NOTE:** It is our policy to continually improve products and as such we reserve the right to alter data, specifications and component parts without prior notice. There may be alternative versions of this product, please contact us should you require this information.

**IMPORTANT:** No liability is accepted for incorrect use of product. Spare parts must be fitted by a competent person

**WARRANTY:** Guarantee is 12 months from purchase date, proof of which will be required for any claim.

Sealey Group, Kempson Way, Suffolk Business Park, Bury St Edmunds, Suffolk. IP32 7AR



01284 757500



01284 703534



sales@sealey.co.uk



www.sealey.co.uk