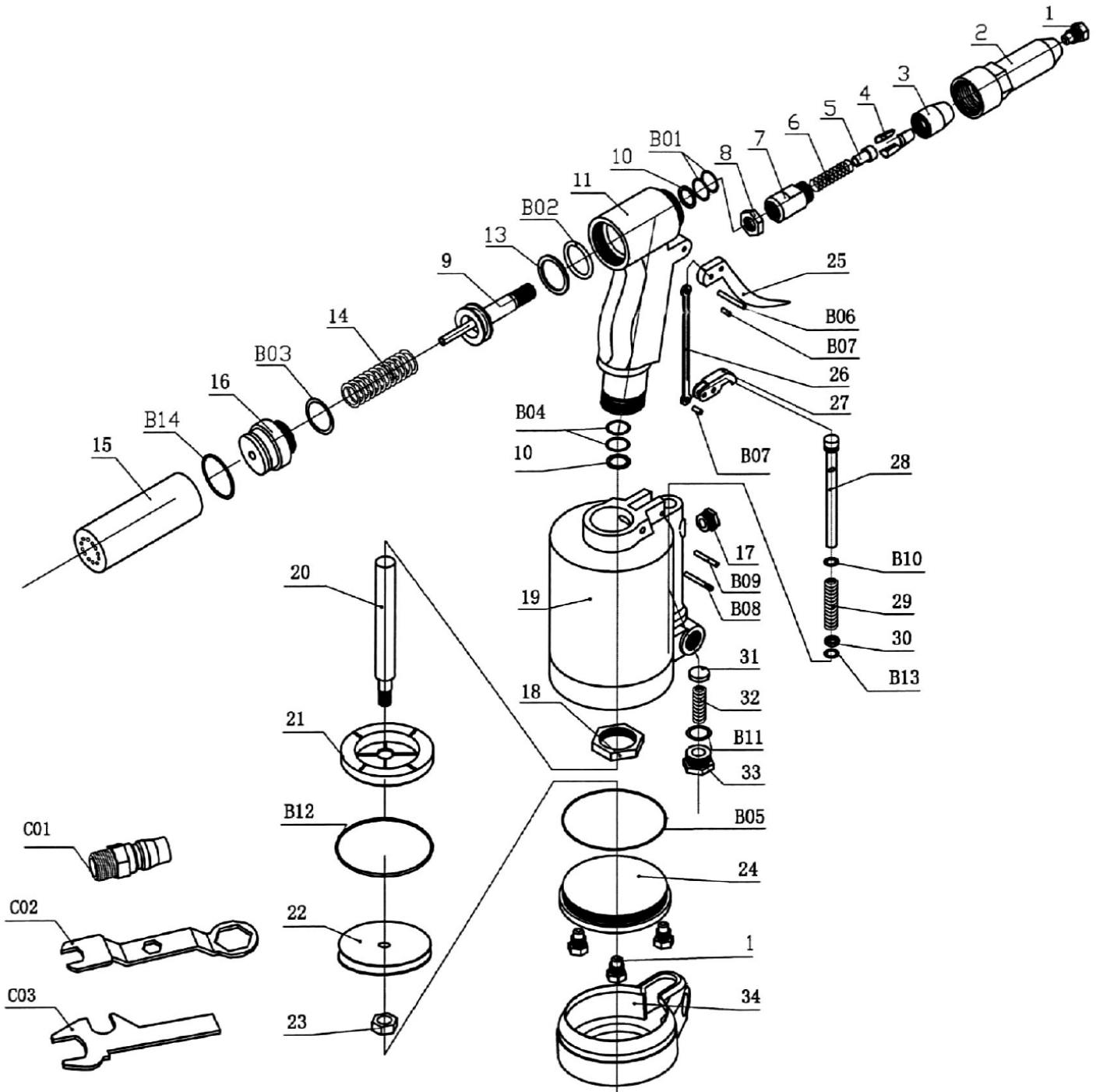




Parts Information:
**Air Riveter 1/4" Steel Aluminium &
 Stainless Steel Rivets**
Model No: SA314.V2



Item	Part No.	Description
1	SA314.V2-01	Nose piece 4.0mm (5/32")
1	SA314.V2-01.1	Nose piece 4.8mm (3/16")
1	SA314.V2-01.2	Nose piece 6.4mm (1/4")
1	SA314.V2-01.3	Nose piece 2.4mm (3/32")
1	SA314.V2-01.4	Nose piece 3.2mm (1/8")

Item	Part No.	Description
2	SA314.V2-02	Cylinder
3	SA314.V2-03	Jaw Carrier
4	SA314.V2-04	Jaws (1 Set = 3pcs)
5	SA314.V2-05	Jaw Pusher
6	SA314.V2-06	Jaw Pusher Spring Dia 9.03mm

NOTE: It is our policy to continually improve products and as such we reserve the right to alter data, specifications and component parts without prior notice. There may be alternative versions of this product, please contact us should you require this information.

IMPORTANT: No liability is accepted for incorrect use of product. Spare parts must be fitted by a competent person

WARRANTY: Guarantee is 12 months from purchase date, proof of which will be required for any claim.

Sealey Group, Kempson Way, Suffolk Business Park, Bury St Edmunds, Suffolk. IP32 7AR



01284 757500



01284 703534



sales@sealey.co.uk



www.sealey.co.uk



Parts Information:
**Air Riveter 1/4" Steel Aluminium &
 Stainless Steel Rivets**
Model No: SA314.V2

Item	Part No.	Description
7	SA314.V2-07	Jaw Cylinder
8	SA314.V2-08	Lock Nut
9	SA314.V3-09	Axis complete (Includes Part 12)
10	SA314.V4-11	Plastic Ring
11	SA314.V2-11	Handle
12	SA314.V2-12	DO NOT USE
13	SA314.V2-13	Ring
14	SA314.V2-14	Spring Dia 22.3mm
15	SA314.V2-15	Bottle
16	SA314.V2-16	Lid
17	SA314.V2-17	Exhaust Filter
18	SA314.V2-18	Lock Nut
19	SA314.V2-19	Cylinder
20	SA314.V2-20	Piston
21	SA314.V2-21	Cushion
22	SA314.V2-22	Piston
23	SN8.S	Steel Nut M8 Zinc
24	SA314.V2-24	Cylinder Lid
25	SA314.V2-25	Trigger
26	SA314.V2-26	Link
27	SA314.V2-27	Connector
28	SA314.V2-28	Air Valve
29	SA314.V2-29	Valve Spring Dia 9.5mm
30	SA314.V2-30	Copper Washer Thick M6

Item	Part No.	Description
31	SA314.V2-31	Valve Collar
32	SA314.V2-32	Spring Dia 9.05mm
33	SA314.V2-33	Hex Head Nut
34	SA314.V2-34	Base Cover
35	SA314.V2-35	Connector
B01	SA314.V2-B01	O-Ring, (Ex: 15.98 In: 12.42 Cs: 1.78)
B02	SA314.V2-B02	O-Ring, (Ex: 28.88 In: 21.82 Cs: 3.53)
B03	SA314.V2-B03	O-Ring, (Ex: 29.60 In: 26.04 Cs: 1.78)
B04	SA314.V2-B01	O-Ring, (Ex: 15.98 In: 12.42 Cs: 1.78)
B05	SA314.V2-B05	O-Ring, (Ex: 66.66 In: 60.84 Cs: 2.93)
B06	SA314.V2-B06	Spring Pin M3.3 X 22mm
B07	SA314.V2-B07	Spring Pin M3.3 X 6mm
B08	SA314.V2-B08	Spring Pin
B09	SA6002 V3-32	Spring Pin M3 X 18
B10	SA314.V2-B10	O-Ring, (Ex: 10.31 In: 6.75 Cs: 1.78)
B11	SA314.V2-B11	O-Ring, (Ex: 16.51 In: 11.63 Cs: 2.44)
B12	SA314.V4-42	O-Ring, (Ex: 79.88 In: 69.22 Cs: 5.33)
B13	SA314.V2-B13	O-Ring, (Ex: 9.63 In: 6.07 Cs: 1.78)
B14	SA314.V2-B14	O-Ring, (Ex: 37.30 In: 32.06 Cs: 2.62)
B15	SA314.V2-B15	O-Ring
C01	SA314.V2-C01	Air Valve
C02	SA314.V2C01-1	Wrench
C03	SA314.V2C01-2	Wrench
--	SA314.V2-35	Connector (Not Shown)

NOTE: It is our policy to continually improve products and as such we reserve the right to alter data, specifications and component parts without prior notice. There may be alternative versions of this product, please contact us should you require this information.

IMPORTANT: No liability is accepted for incorrect use of product. Spare parts must be fitted by a competent person

WARRANTY: Guarantee is 12 months from purchase date, proof of which will be required for any claim.

Sealey Group, Kempson Way, Suffolk Business Park, Bury St Edmunds, Suffolk. IP32 7AR



01284 757500



01284 703534



sales@sealey.co.uk



www.sealey.co.uk