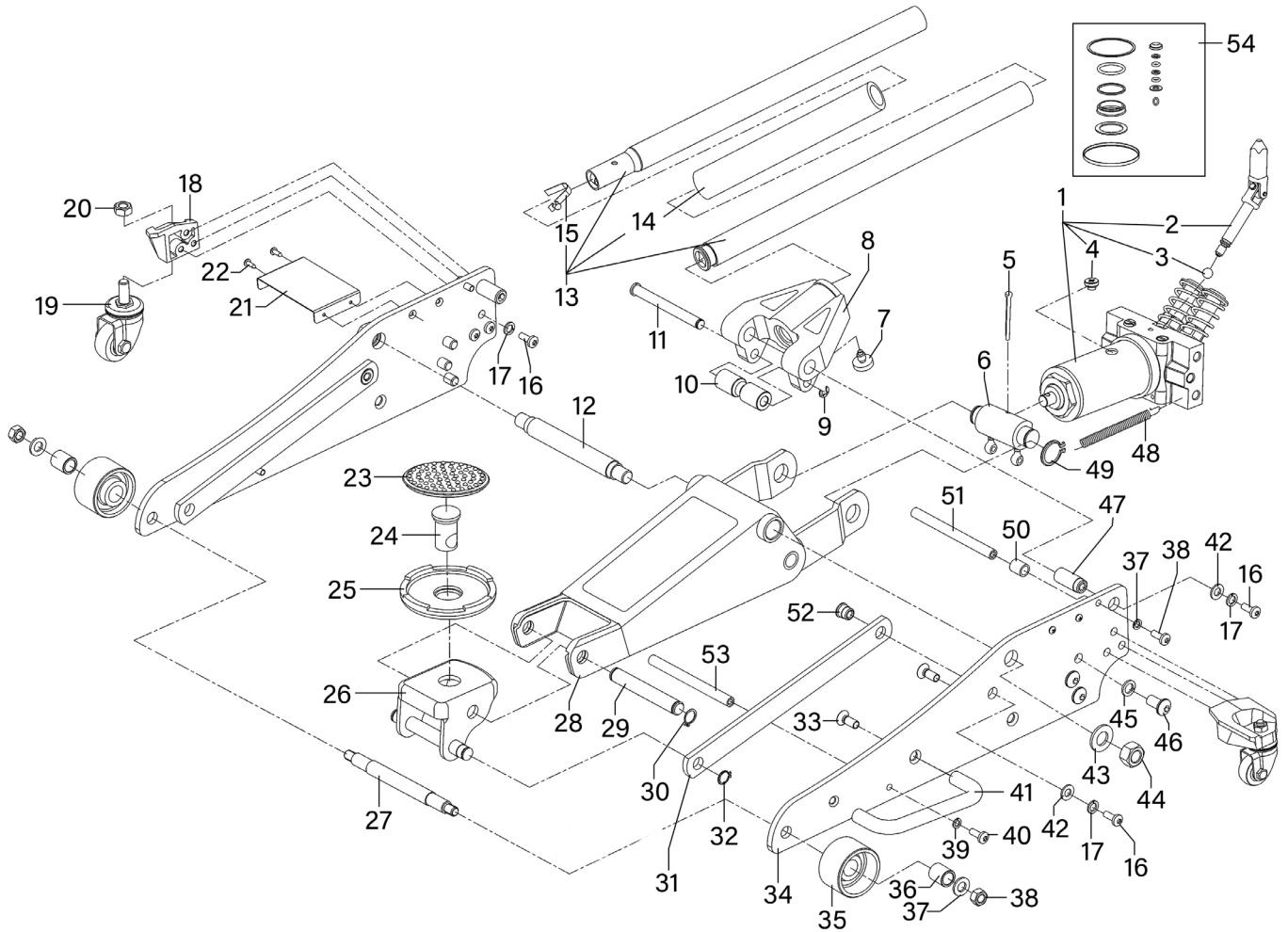


Parts Information: Trolley Jack 1.5 Tonne Aluminium/Steel Rocket Lift Model No: RJA1500.V4



Item	Part No.	Description	Qty
1	RJAS1500-V4-01	Hydraulic Unit Assembly	1
2	RJAS1500-V4-02	Release Valve Assembly	1
3	SB-6.0	Steel Ball 6.0mm	1
4	RJAS1500-V4-04	Oil Filler Plug	1
5	RJA1550-V3-05	Spring Pin M4 x 45mm	1
6	RJAS1500-V4-06	Connecting Rod	1
7	RJAS1500-V4-07	Handle Socket Screw M8 x 19.5mm	1
8	RJAS1500-V4-08	Handle Socket	1
9	RJAS1500-V4-09	E-Ring Ø8mm	1
10	RJAS1500-V4-10	Handle Socket Roller	1
11	RJAS1500-V4-11	Handle Socket Pin (for Roller)	1
12	RJAS1500-V4-12	Support Pin	1
13	RJAS1500-V4-13	Handle Assembly	1
14	RJAS1500-V4-14	Handle Protection Foam	1
15	RJAS1500-V4-15	Handle Lock Button	1
16	BHSS816.S	Button Head Socket Screw M8 X 16 Zinc	10

Item	Part No.	Description	Qty
17	SWM8.S	Spring Washer M8 Zinc	12
18	RJAS1500-V4-18	Rear Castor Base	2
19	RJAS1500-V4-19	Rear Castor	2
20	SN10.S	Steel Nut M10 Zinc	2
21	RJAS1500-V4-21	Cover Plate	1
22	RJAS1500-V4-22	Screw for Cover Plate	4
23	JP11	Safety Rubber Jack Pad - Type B	1
24	RJAS1500-V4-24	Saddle Pin	1
25	RJAS1500-V4-25	Saddle	1
26	RJAS1500-V4-26	Saddle Base Assembly	1
27	RJAS1500-V4-27	Front Wheel Axle	1
28	RJAS1500-V4-28	Lifting Arm Assembly	1
29	RJAS1500-V4-29	Shaft for Saddle Base	1
30	RJAS1500-V4-30	External Circlip Ø14mm	2
31	RJAS1500-V4-31	Radius Link	2

NOTE: It is our policy to continually improve products and as such we reserve the right to alter data, specifications and component parts without prior notice. There may be alternative versions of this product, please contact us should you require this information.

IMPORTANT: No liability is accepted for incorrect use of product. Spare parts must be fitted by a competent person

WARRANTY: Guarantee is 12 months from purchase date, proof of which will be required for any claim.



Parts Information:
**Trolley Jack 1.5 Tonne Aluminium/Steel
Rocket Lift**
Model No: RJA1500.V4

Item	Part No.	Description	Qty
32	RJA1800-V4-18	External Circlip Ø13mm	2
33	MSC820.S	Csk Phillips Machine Screw M8 X 20 Zinc	2
34	RJAS1500-V4-34	Side Frame	2
35	RJAS1500-V4-35	Front Wheel	2
36	RJAS1500-V4-36	Front Wheel Bush	2
37	FWM12.S	Flat Washer M12 Zinc	2
38	SN12.S	Steel Nut M12 Zinc	2
39	SWM6.S	Spring Washer M6 Zinc	4
40	BHSS616.SB	Button Head Socket Screw M6 X 16 Black	4
41	RJAS1500-V4-41	Carry Handle	1
42	FWM8.S	Flat Washer M8 Zinc	4
43	FWM14.S	Flat Washer M14 Zinc	2

Item	Part No.	Description	Qty
44	SN14.S	Steel Nut M14 Zinc	2
45	SWM10.S	Spring Washer M10 Zinc	6
46	BHSS1020.S	Button Head Socket Screw M10 X 20 Zinc	6
47	RJAS1500-V4-47	Handle Socket Pin	2
48	RJAS1500-V4-48	Return Spring	2
49	RJAS1500-V4-49	External Circlip Ø19mm	2
50	RJAS1500-V4-50	Nylon Sleeve	2
51	RJAS1500-V4-51	Positioning Shaft	2
52	RJAS1500-V4-52	Radius Link Pin	2
53	RJAS1500-V4-53	Limit Shaft	1
54	RJAS1500-V4-54	Repair/Seal Kit	1

NOTE: It is our policy to continually improve products and as such we reserve the right to alter data, specifications and component parts without prior notice. There may be alternative versions of this product, please contact us should you require this information.

IMPORTANT: No liability is accepted for incorrect use of product. Spare parts must be fitted by a competent person

WARRANTY: Guarantee is 12 months from purchase date, proof of which will be required for any claim.

Sealey Group, Kempson Way, Suffolk Business Park, Bury St Edmunds, Suffolk. IP32 7AR



01284 757500



sales@sealey.co.uk



www.sealey.co.uk