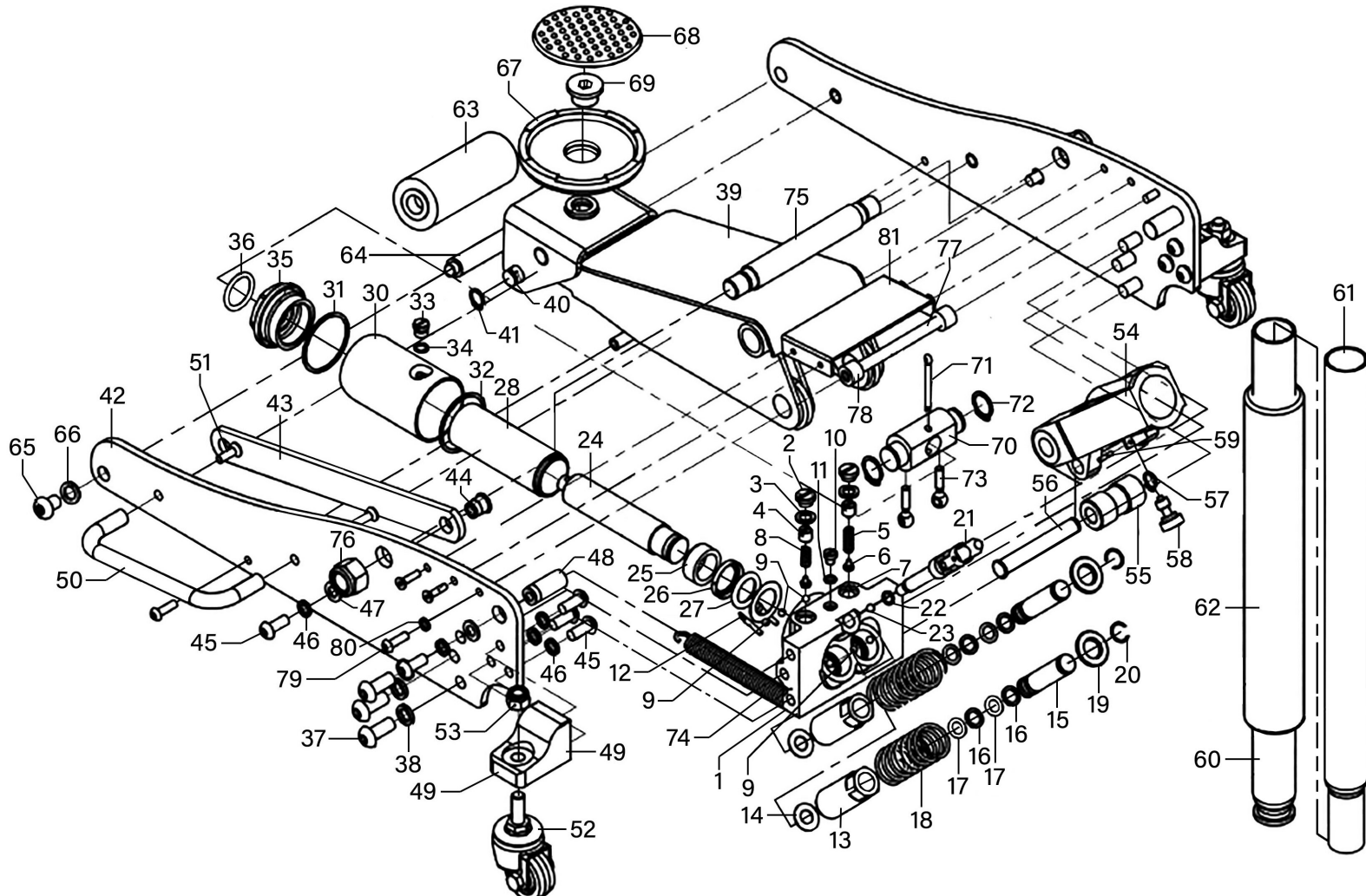




Parts Information:
Trolley Jack 1.5 Tonne Aluminium/Steel Rocket Lift
Model No: RJA1500.V3



NOTE: It is our policy to continually improve products and as such we reserve the right to alter data, specifications and component parts without prior notice.

There may be alternative versions of this product, please contact us should you require this information.

IMPORTANT: No liability is accepted for incorrect use of product. Spare parts must be fitted by a competent person

WARRANTY: Guarantee is 12 months from purchase date, proof of which will be required for any claim.

Sealey Group, Kempson Way, Suffolk Business Park, Bury St Edmunds, Suffolk. IP32 7AR



01284 757500



sales@sealey.co.uk



www.sealey.co.uk



Parts Information:
**Trolley Jack 1.5 Tonne Aluminium/Steel
 Rocket Lift
 Model No: Rjas1500.V3**

Item	Part No.	Description	Qty
1	RJAS1500.V3-01	Base	1
2	RJAS1500.V2-02	Pressure Adjusting Screw	2
3	RJAS1500.V2-03	O-Ring	2
4	RJAS1500.V2-04	Valve Bush	1
5	RJAS1500.V2-05	Spring	1
6	RJAS1500.V2-06	Steel Ball Base	2
7	SB-6.0	Steel Ball 6.0mm	1
8	RJAS1500.V2-08	Spring	1
9	SB-4.0	Steel Ball 4.0mm	5
10	RJAS1500.V2-10	Pressure Adjusting Screw	1
11	RJAS1500.V2-11	O-Ring	1
12	RJAS1500.V2-12	Filter	2
13	RJAS1500.V2-13	Pump Cylinder	2
14	RJAS1500.V2-14	Washer	2
15	RJAS1500.V2-15	Pump Core	2
16	RJAS1500.V2-16	Nylon Ring	4
17	RJAS1500.V2-17	O-Ring	4
18	RJAS1500.V2-18	Pump Core Spring	2
19	RJAS1500.V2-19	Pump Core Cover	2
20	RJAS1500.V2-20	Spring	2
21	RJAS1500.V2-21	Discharge Valve Ass'y	1
22	GSA08.09-4	O-ring, (Ex: 11.21 In: 7.65 Cs: 1.78)	1
23	RJAS1500.V2-23	Steel Ball	1
24	RJAS1500.V2-24	Ram	1
25	RJAS1500.V2-25	Seal for Ram	1
26	RJAS1500.V2-26	Back-up Ring	1
27	RJAS1500.V2-27	O-Ring	1
28	RJAS1500.V2-28	Cylinder	1
29	RJAS1500.V2-29	Washer	1
30	RJAS1500.V2-30	Reservoir	1
31	RJAS1500.V2-31	Washer for Top Nut	1
32	RJAS1500.V2-32	Washer for Cylinder	1
33	RJAS1500.V2-33	Oil Filler Screw	1
34	RJAS1500.V2-34	O-Ring for Oil Filler Screw	1
35	RJAS1500.V2-35	Top Nut	1
36	RJAS1500.V2-36	O-Ring	1
37	BHSS1025.S	Button Head Socket Screw M10 X 25 Zinc	6
38	FWM10.S	Flat Washer M10 Zinc	6
39	RJAS1500.V2-39	Lifting Arm	1
40	RJAS1500.V2-40	Saddle Base Bolt	1
41	RJAS1500.V2-41	Retaining Ring	2
42	RJAS1500.V2-42	Side Plate	2
43	RJAS1500.V2-43	Pivot Support Rod	2
44	RJAS1500.V2-44	Pivot Support Rod Pin	2

Item	Part No.	Description	Qty
45	BHSS820.S	Button Head Socket Screw M8 X 20 Zinc	10
46	FWM8.S	Flat Washer M8 Zinc	4
47	SWM8.S	Spring Washer M8 Zinc	10
48	RJAS1500.V2-48	Handle Socket Shaft	2
49	RJAS1500.V2-49	Rear Castor Bracket	2
50	RJAS1500.V2-50	Side Handle	1
51	MSC620.S	Csk Phillips Machine Screw M6 X 20 Zinc	2
52	RJAS1500.V2-52	Wheel, Rear Swivel Castor, (D: 40 W: 20 B: 10 H: 88)	2
53	SN10.S	Steel Nut M10 Zinc	2
54	RJAS1500.V2-54	Handle Socket	1
55	RJAS1500.V2-55	Roller, Handle Socket	1
56	RJAS1500.V2-56	Roller Pin, Handle Socket	1
57	RJAS1500.V2-57	Retaning Ring M12	1
58	RJAS1500.V2-58	Handle Socket Bolt	1
59	RJAS1500.V2-59	Spring Pin	1
60	RJAS1500.V2-60	Lower Handle (C/W Sleeve) (13.2mm)	1
61	RJAS1500.V2-61	Upper Jack Handle	1
62	RJAS1500.V2-62	Handle Sleeve	1
63	RJAS1500.V2-63	Wheel, Front Fixed, (D: 42 W: 113 B: 14)	1
64	RJAS1500.V2-64	Front Wheel Axle	1
65	BHSS1025.S	Button Head Socket Screw M10 X 25 Zinc	2
66	FWM10.S	Flat Washer M10 Zinc	2
67	RJAS1500.V2-67	Saddle, Serrated, Mirror Finish (F) Ø 116mm	1
68	RJAS1500.V2-68	Rubber Saddle Pad	1
69	RJAS1500.V2-69	Saddle Bolt	1
70	RJAS1500.V2-70	Link Bolt	1
71	RJAS1500.V2-71	Split Pin	1
72	RJAS1500.V2-72	Hydraulic Unit Link	2
73	RJAS1500.V2-73	Eye Screw M6x25	2
74	RJAS1500.V2-74	Return Spring	2
75	RJAS1500.V2-75	Lifting Arm Shaft	1
76	SN16.S	Steel Nut M16 Zinc	2
77	RJAS1500.V2-77	Shaft	2
78	RJAS1500.V2-78	Rubber Bumper	2
79	BHSS620.S	Button Head Socket Screw M6 X 20 Zinc	4
80	FWM6.S	Flat Washer M6 Zinc	4
81	RJAS1500.V2-81	Cover	1
82	RJAS1500.V2-82	Screw for Side Plate	4
83	RJAS1500.V3-83	Spring Dia 3.8mm	1
--	RJAS1500.V3-P	Hydraulic Unit Complete (pump block 125m-m) (Not Shown)	1
--	RJAS1500.V2-RK	Repair Kit (Not Shown)	1

NOTE: It is our policy to continually improve products and as such we reserve the right to alter data, specifications and component parts without prior notice. There may be alternative versions of this product, please contact us should you require this information.

IMPORTANT: No liability is accepted for incorrect use of product. Spare parts must be fitted by a competent person

WARRANTY: Guarantee is 12 months from purchase date, proof of which will be required for any claim.

Sealey Group, Kempson Way, Suffolk Business Park, Bury St Edmunds, Suffolk. IP32 7AR



01284 757500



sales@sealey.co.uk



www.sealey.co.uk